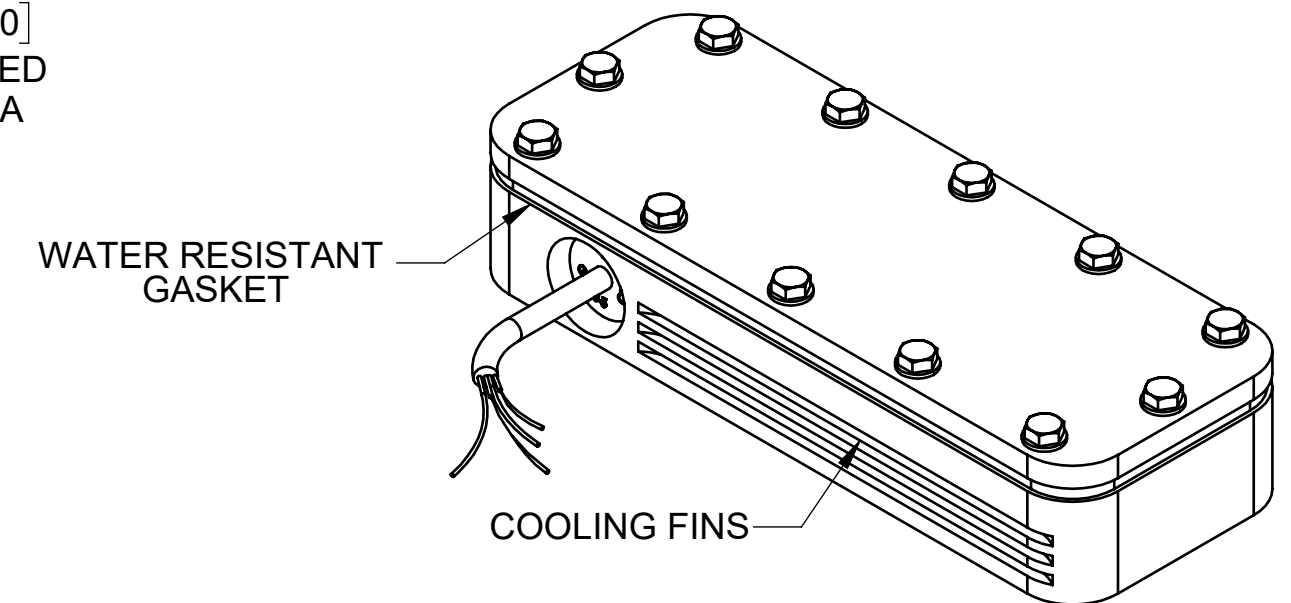


REVISIONS			
REV.	DESCRIPTION	DATE	APPROVED
A	INITIAL RELEASE	7/18/2014	
B	ADDED END SCREWS; CHANGED FASTENERS TO METRIC; CENTERED POWER CABLE; REPLACED GASKET W/ NEW MATERIAL; REDUCED GASKET OVERALL SIZE TO ELIMINATE BULGING.	12/22/2014	
C	ADDED LOCTITE #222 THREADLOCKER AND PRIMER #7649 TO BOM- SEE SHEET 2.	12/24/2014	
D	CHANGED LOCTITE TO #290	12/24/2014	
E	CORRECTED ACTIVE DIMS	7/21/2017	

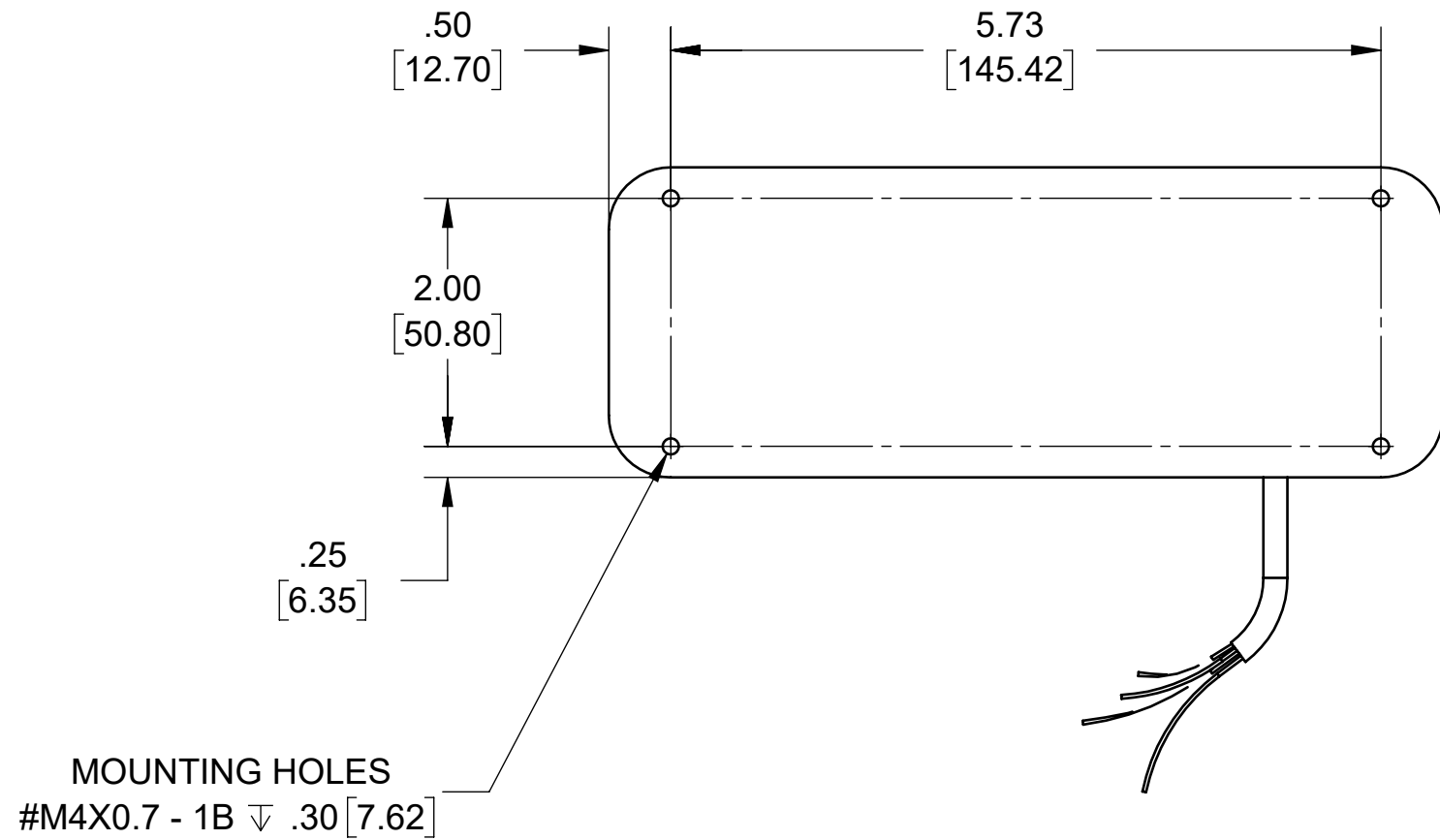


SEE SHEET 2 FOR EXPLODED VIEW AND BOM.

Approval Signature _____

/ /
Date

Metaphase Technologies, Inc. 211 Sinclair Road, Suite 100, Bristol, PA. 19007 215-639-8699 Fax 215-639-0977				
QUANTITY: Per order	TOLERANCE/FINISH UNLESS OTHERWISE SPECIFIED INCHES [MM]		THIS DOCUMENT IS THE PROPERTY OF METAPHASE TECHNOLOGIES, INC. WHOM MAY LOAN IT, SUBJECT TO RETURN UPON DEMAND. IT INCLUDES CONFIDENTIAL & PROPRIETARY INFORMATION WHICH MAY NOT BE DISCLOSED TO ANY THIRD PARTY, AND/ OR USED FOR ANY PURPOSE CONTRARY TO IT'S INTENDED USE, WITHOUT THE EXPRESSED PRIOR WRITTEN CONSENT OF METAPHASE TECHNOLOGIES, INC.	
MATERIAL: Aluminum, Acrylic	X	.X .XX .XXX		125√RMS [RA3.2um]
FINISH: Black Anodized	[±.76]	±.030 [±.25] ±.010 [±.13] ±.005		ANGLES ±1°
TREATMENT: N/A				
TITLE: Top Assy.; RoBo Light- 6"		USED ON: Per customer		
SIZE: B	DRAWING NUMBER: MB-RBL-205-1	REV: E		
SCALE 1:4		SHEET 1 OF 2		



Metaphase Technologies, Inc. 211 Sinclair Road, Suite 100,
Bristol, PA. 19007 215-639-8699 Fax 215-639-0977



TOLERANCE/FINISH UNLESS OTHERWISE SPECIFIED				
INCHES[MM]				125√RMS [RA3.2um]
X	.X	.XX	.XXX	
[±.76]	±.030 [±.25]	±.010 [±.13]	±.005	ANGLES ±1°

FLAT PATTERNS USE 0.5 K FACTOR FOR DESIGN
REFERENCE ONLY. ACTUAL VALUE MAY VARY,
USE TEST PART AS REQ'D TO VERIFY ACCURACY

THIS DOCUMENT IS THE PROPERTY OF
METAPHASE TECHNOLOGIES, INC. WHOM MAY
LOAN IT, SUBJECT TO RETURN UPON DEMAND.
IT INCLUDES CONFIDENTIAL & PROPRIETARY
INFORMATION WHICH MAY NOT BE DISCLOSED
TO ANY THIRD PARTY, AND/ OR USED FOR
ANY PURPOSE CONTRARY TO IT'S INTENDED
USE, WITHOUT THE EXPRESSED PRIOR WRITTEN
CONSENT OF **METAPHASE TECHNOLOGIES, INC.**

TITLE
Top Assy.; RoBo Light- 6"

USED ON
Per customer

SIZE B	DRAWING NUMBER MB-RBL-205-1	REV E
SCALE 1:4	SHEET 2 OF 2	