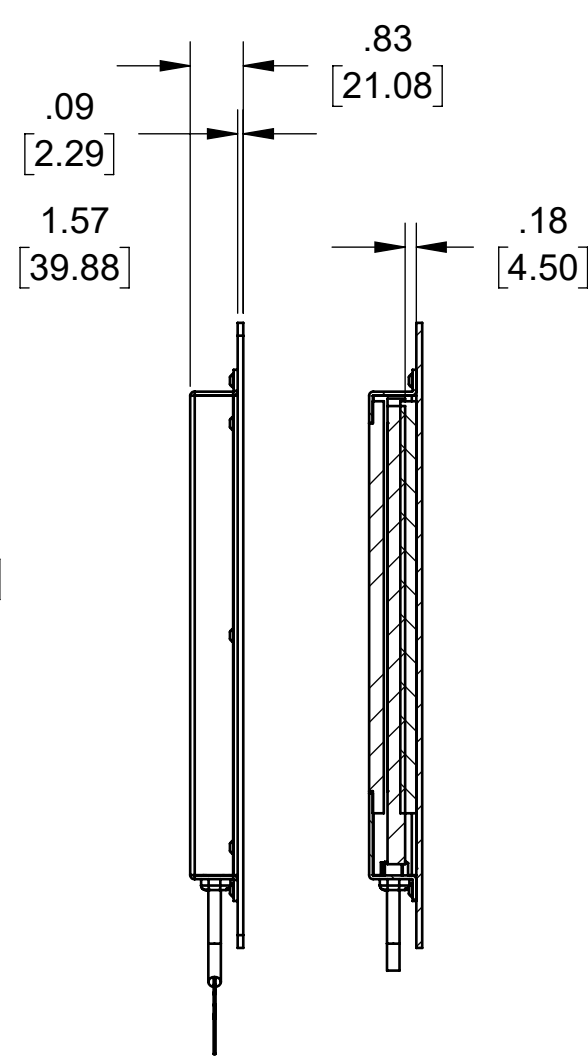
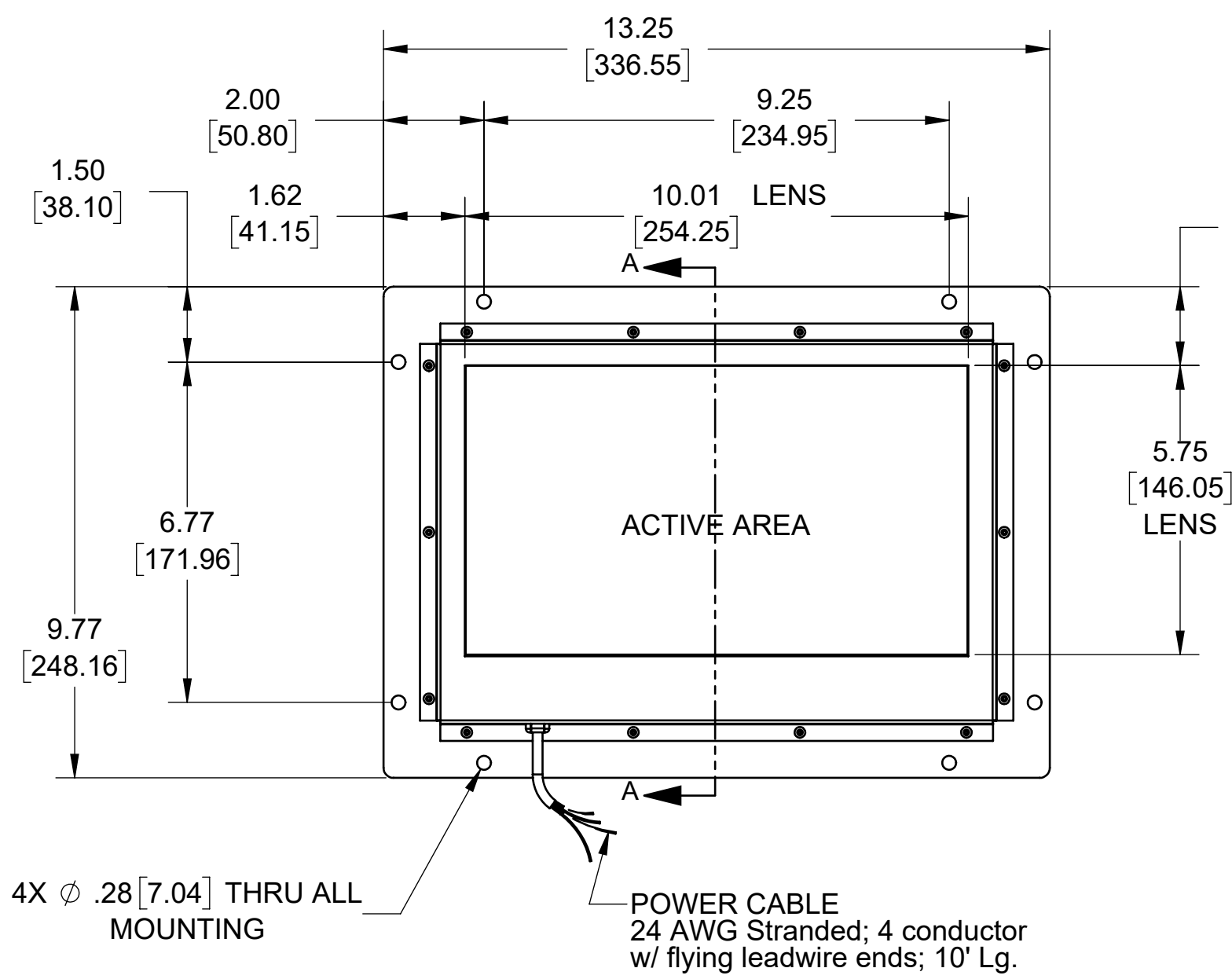
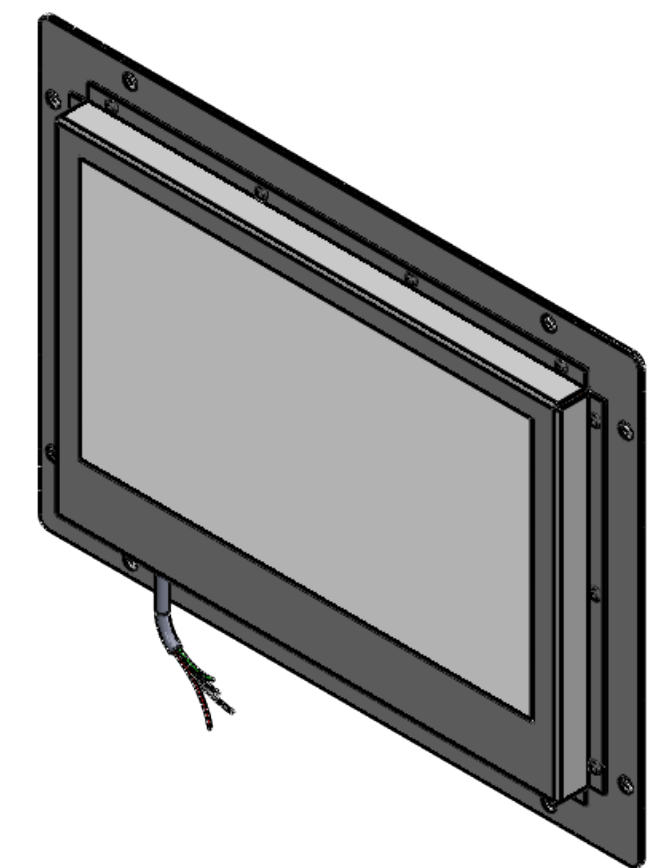


REVISIONS			
REV.	DESCRIPTION	DATE	APPROVED
A	INITIAL RELEASE	-	
B	REDESIGNED ASSEMBLY; ALL NEW DOCUMENTATION	6/10/2014	
C	SHOW INTERNAL ELECTRONICS	6/30/2016	
D	CABLE UPDATE	1/8/2018	



SECTION A-A
SCALE 1 : 3



4X ϕ .28 [7.04] THRU ALL MOUNTING

SEE SHEET 2 FOR EXPLODED VIEW AND BOM.		Metaphase Technologies, Inc. 211 Sinclair Road, Suite 100, Bristol, PA. 19007 215-639-8699 Fax 215-639-0977					
		QUANTITY: Per Order	TOLERANCE/FINISH UNLESS OTHERWISE SPECIFIED				
MATERIAL: Per BOM	INCHES [MM]			125V RMS [RA3.2um]			
FINISH: Black Anodize	X	.X	.XX		.XXX		
TREATMENT: N/A	[±.76]	±.030 [±.25]	±.010 [±.13]	±.005	ANGLES ±1°		
Approval Signature	/ / Date	USED ON Per customer		SIZE B	DRAWING NUMBER BL146X254FR-1	REV E	
				SCALE 1:4		SHEET 1 OF 1	