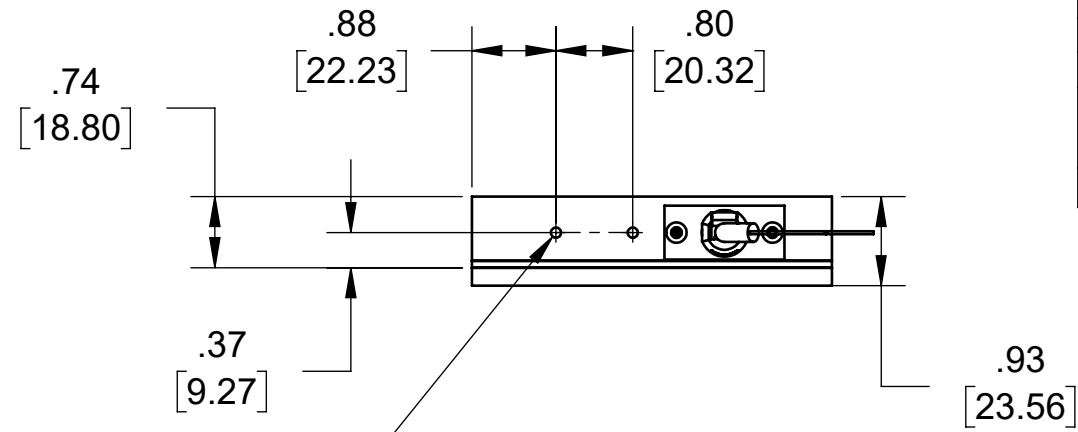
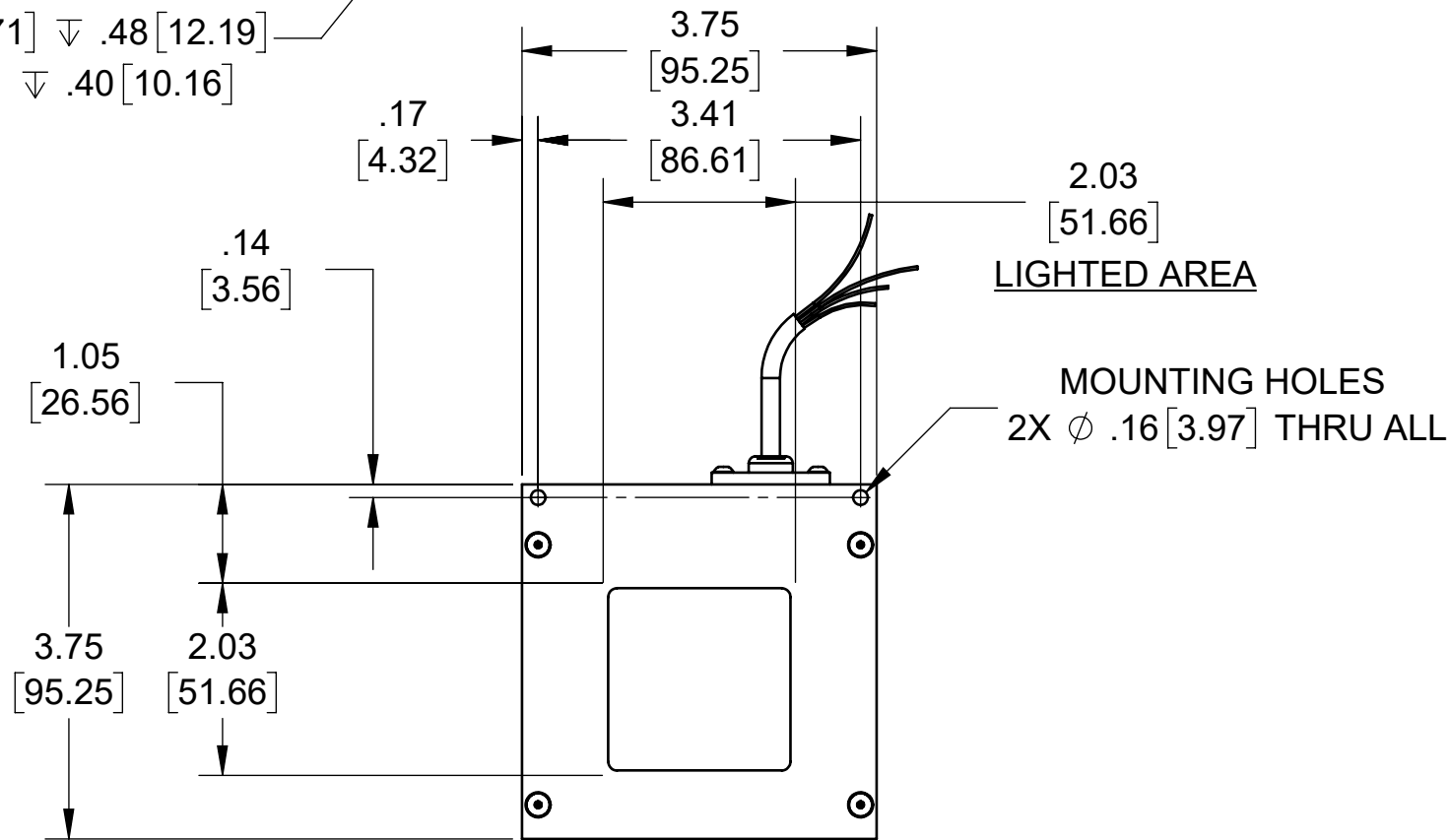


REVISIONS			
REV.	DESCRIPTION	DATE	APPROVED
A	INITIAL RELEASE	7/26/2016	
B	ADDED INSTALLATION INSTRUCTION FOR COLLIMATING FILM, ADDED QTY. 4 OF #2-56 X 1/8LG SET SCREWS AND CHANGED QTY. OF COLLIMATING FILM TO 2	11/28/2016	
C	ADDED CABLE SPEC	1/11/2018	



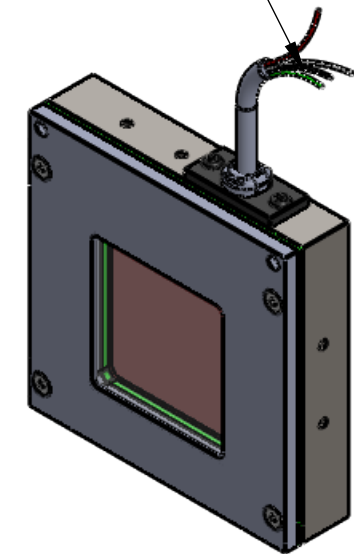
MOUNTING HOLES
 6X ϕ .11 [2.71] ∇ .48 [12.19]
 #6-32 UNC ∇ .40 [10.16]



LIGHTED AREA

MOUNTING HOLES
 2X ϕ .16 [3.97] THRU ALL

POWER CABLE
 24 AWG Stranded;
 4 conductor
 10' Flying Lead



1.38 [34.93]

.38 [9.53]

SEE SHEET 2 FOR EXPLODED VIEW AND BOM.

Metaphase Technologies, Inc. 211 Sinclair Road, Suite 100, Bristol, PA. 19007 215-639-8699 Fax 215-639-0977



QUANTITY: Per order

TOLERANCE/FINISH
 UNLESS OTHERWISE SPECIFIED

THIS DOCUMENT IS THE PROPERTY OF METAPHASE TECHNOLOGIES, INC. WHOM MAY LOAN IT, SUBJECT TO RETURN UPON DEMAND. IT INCLUDES CONFIDENTIAL & PROPRIETARY INFORMATION WHICH MAY NOT BE DISCLOSED TO ANY THIRD PARTY, AND/ OR USED FOR ANY PURPOSE CONTRARY TO IT'S INTENDED USE, WITHOUT THE EXPRESSED PRIOR WRITTEN CONSENT OF METAPHASE TECHNOLOGIES, INC.

TITLE
 Top Assy.; 2" x 2" Backlight

MATERIAL: Per BOM

INCHES [MM]				
X	.X	.XX	.XXX	125√RMS [RA3.2um]
[±.76]	±.030 [±.25]	±.010 [±.13]	±.005	ANGLES ±1°

USED ON
 Per customer

FINISH: Black Anodized

SIZE B **DRAWING NUMBER** BL2x2-CL-1 **REV** C

TREATMENT: N/A

SCALE 1:2 SHEET 1 OF 1

Approval Signature

/ /
 Date