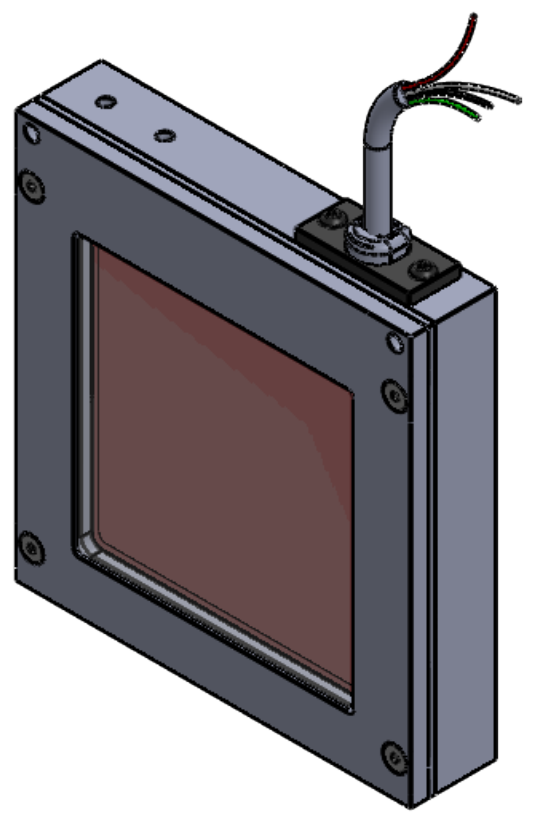
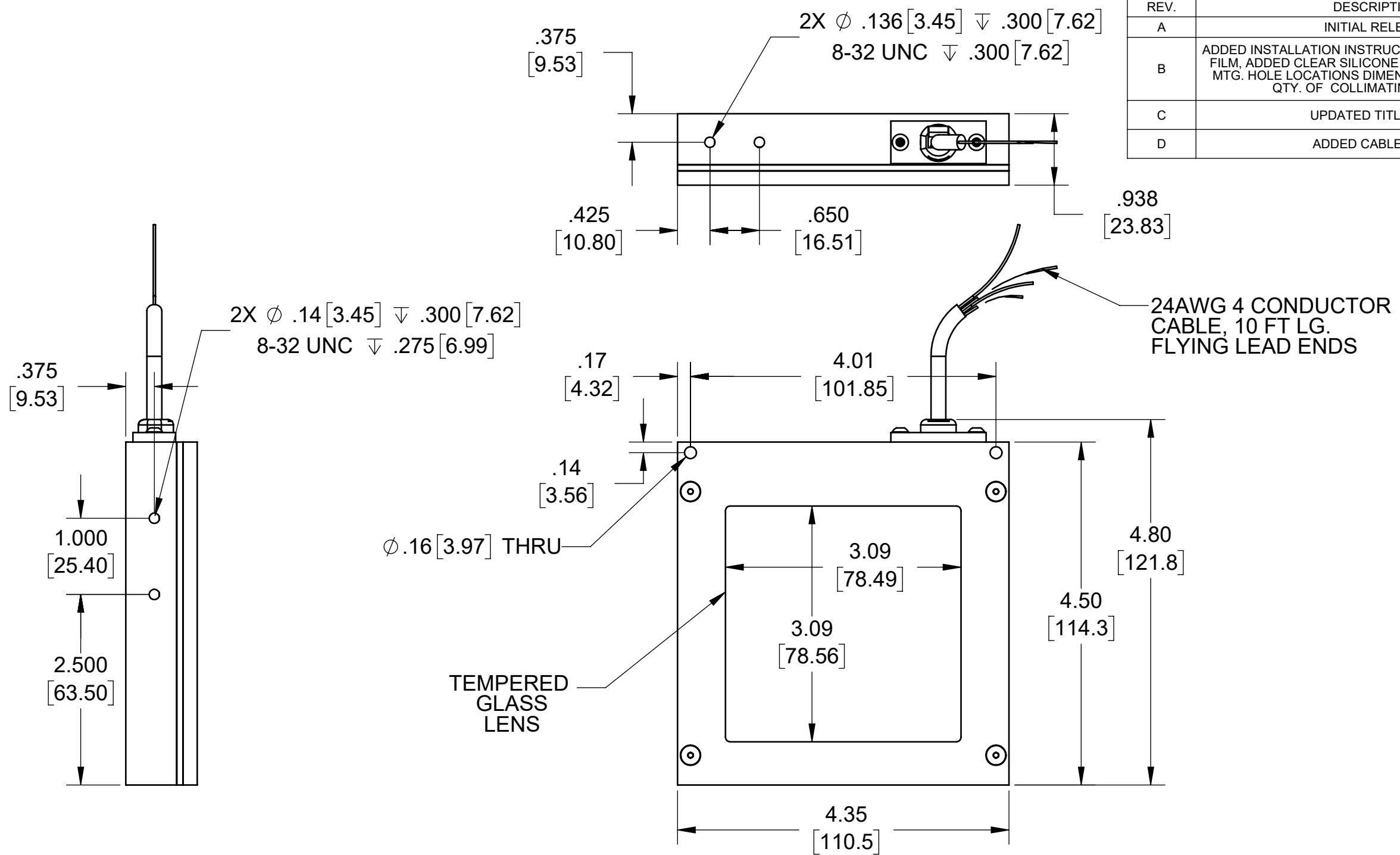


REVISIONS			
REV.	DESCRIPTION	DATE	APPROVED
A	INITIAL RELEASE	10/1/2012	
B	ADDED INSTALLATION INSTRUCTION FOR COLLIMATING FILM, ADDED CLEAR SILICONE TO ASSEMBLY, ADDED MTG. HOLE LOCATIONS DIMENSIONS AND CHANGED QTY. OF COLLIMATING FILM TO 2	11/28/2016	
C	UPDATED TITLE INFO	8/30/2017	
D	ADDED CABLE SPEC	1/11/2018	



Metaphase Technologies, Inc. 211 Sinclair Road, Suite 100, Bristol, PA. 19007 215-639-8699 Fax 215-639-0977



SEE SHEET 2 FOR EXPLODED VIEW AND BOM

QUANTITY:	Per order	TOLERANCE/FINISH UNLESS OTHERWISE SPECIFIED			
MATERIAL:	Per BOM	INCHES [MM]			
FINISH:	Black Anodize	X	.X	.XX	.XXX
TREATMENT:	N/A	[±.76]	[±.030 [±.25]	[±.010 [±.13]	[±.005 ANGLES ±1°

THIS DOCUMENT IS THE PROPERTY OF METAPHASE TECHNOLOGIES, INC. WHOM MAY LOAN IT, SUBJECT TO RETURN UPON DEMAND. IT INCLUDES CONFIDENTIAL & PROPRIETARY INFORMATION WHICH MAY NOT BE DISCLOSED TO ANY THIRD PARTY, AND/ OR USED FOR ANY PURPOSE CONTRARY TO IT'S INTENDED USE, WITHOUT THE EXPRESSED PRIOR WRITTEN CONSENT OF METAPHASE TECHNOLOGIES, INC.

TITLE		
ASSY, Back Light 3 X 3		
USED ON		
Per customer		
SIZE	DRAWING NUMBER	REV
B	BL3X3-CL-1	D
SCALE 2:3		SHEET 1 OF 1

Approval Signature _____ Date ____/____/____