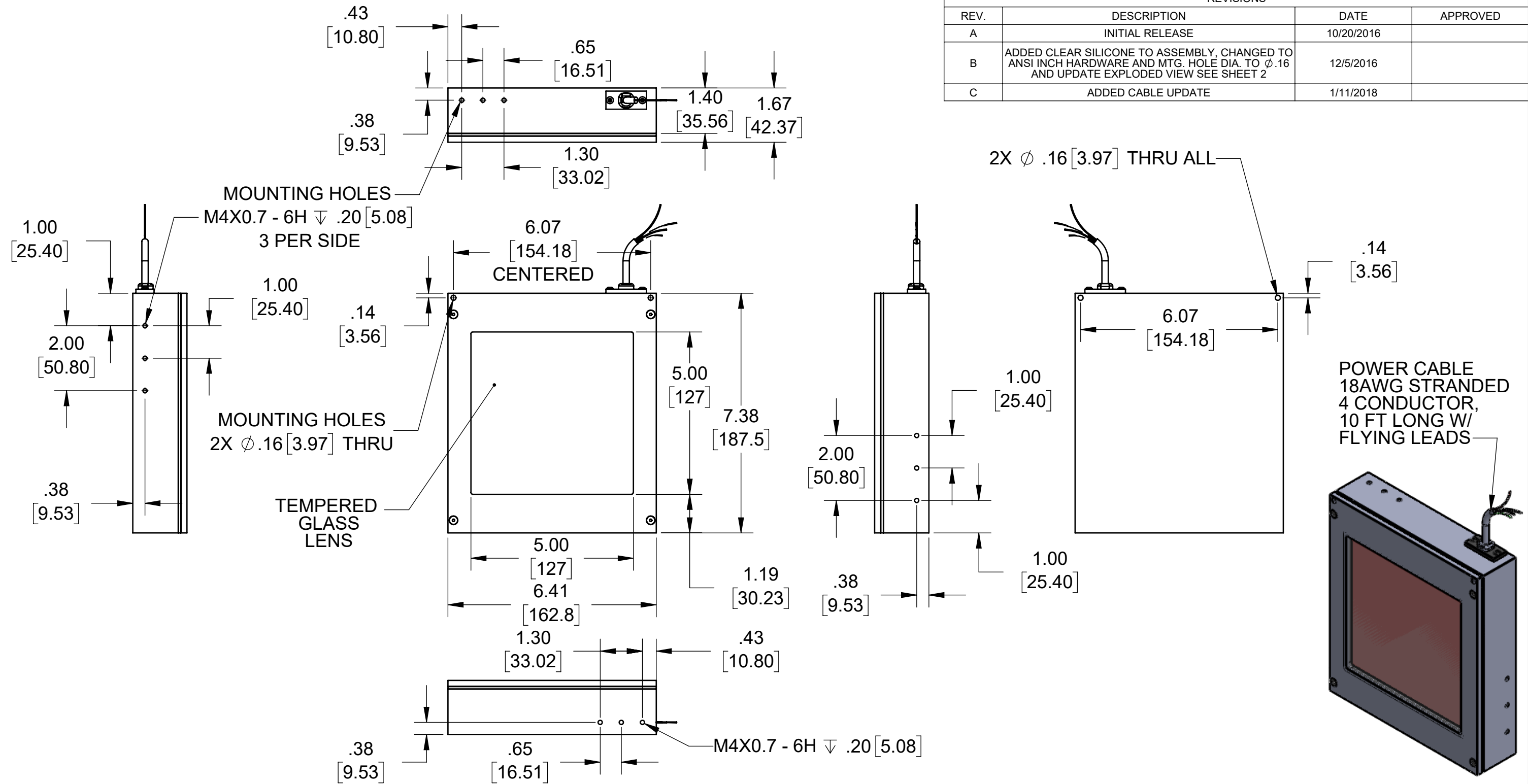


REVISIONS			
REV.	DESCRIPTION	DATE	APPROVED
A	INITIAL RELEASE	10/20/2016	
B	ADDED CLEAR SILICONE TO ASSEMBLY, CHANGED TO ANSI INCH HARDWARE AND MTG. HOLE DIA. TO ϕ .16 AND UPDATE EXPLODED VIEW SEE SHEET 2	12/5/2016	
C	ADDED CABLE UPDATE	1/11/2018	



Metaphase Technologies, Inc. 211 Sinclair Road, Suite 100, Bristol, PA. 19007 215-639-8699 Fax 215-639-0977



QUANTITY: Per order

MATERIAL: Per BOM

FINISH: Black Anodize

TREATMENT: N/A

TOLERANCE/FINISH UNLESS OTHERWISE SPECIFIED

INCHES [MM]				125V RMS [RA3.2um]
X	.X	.XX	.XXX	ANGLES \pm 1°
[\pm .76]	[\pm .030 [\pm .25]]	[\pm .010 [\pm .13]]	\pm .005	

THIS DOCUMENT IS THE PROPERTY OF METAPHASE TECHNOLOGIES, INC. WHOM MAY LOAN IT, SUBJECT TO RETURN UPON DEMAND. IT INCLUDES CONFIDENTIAL & PROPRIETARY INFORMATION WHICH MAY NOT BE DISCLOSED TO ANY THIRD PARTY, AND/ OR USED FOR ANY PURPOSE CONTRARY TO IT'S INTENDED USE, WITHOUT THE EXPRESSED PRIOR WRITTEN CONSENT OF METAPHASE TECHNOLOGIES, INC.

TITLE
Back Light 5X5

USED ON
Per customer

SIZE B	DRAWING NUMBER BL5X5-CL-1	REV C
SCALE 1:2		SHEET 1 OF 1

Approval Signature

/ /
Date