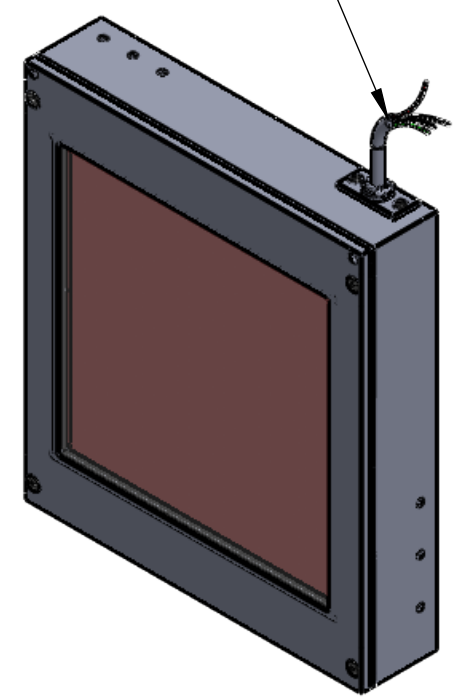
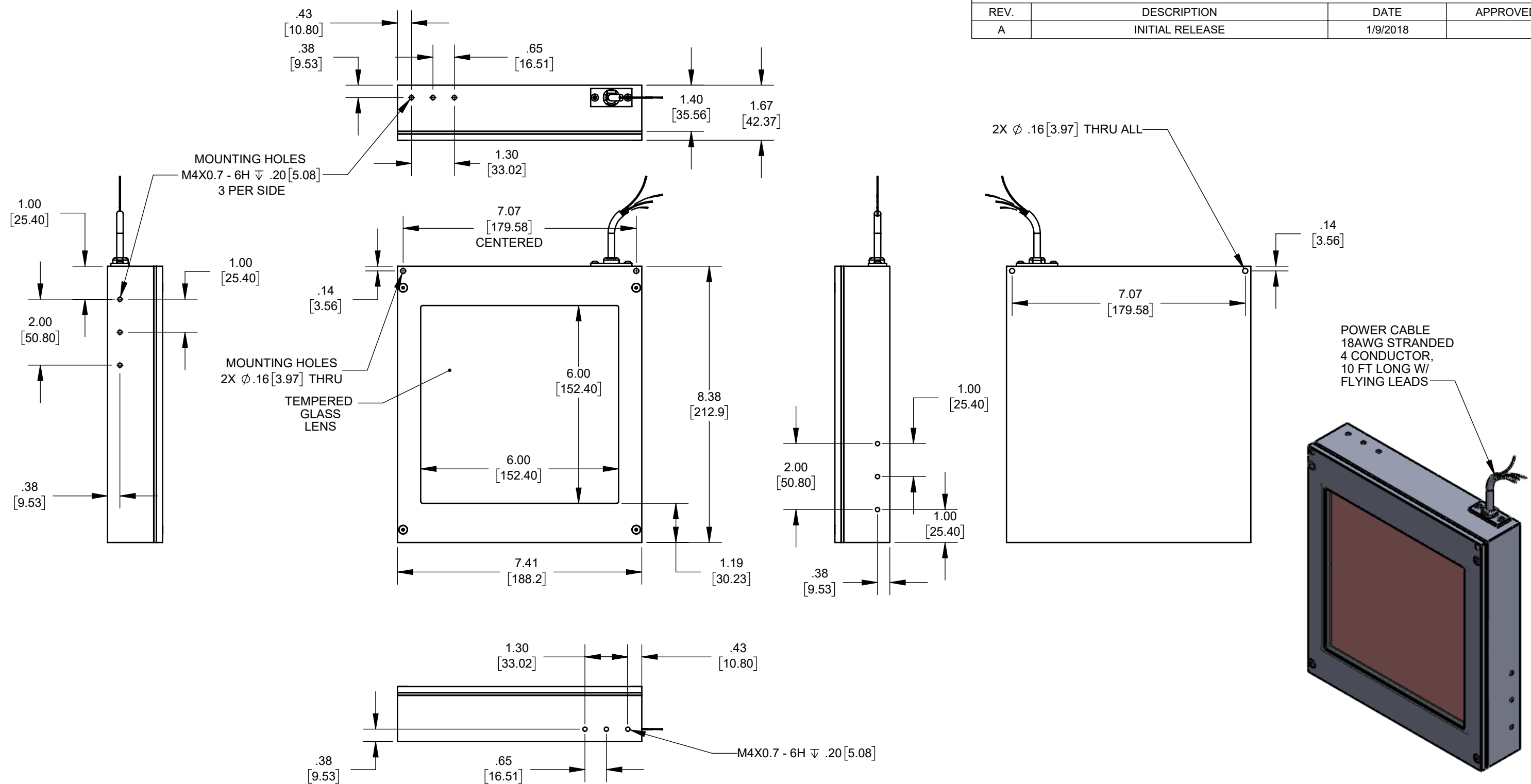


REVISIONS			
REV.	DESCRIPTION	DATE	APPROVED
A	INITIAL RELEASE	1/9/2018	



Metaphase Technologies, Inc. 211 Sinclair Road, Suite 100, Bristol, PA. 19007 215-639-8699 Fax 215-639-0977



<b>QUANTITY:</b>	Per order
<b>MATERIAL:</b>	Per BOM
<b>FINISH:</b>	Black Anodize
<b>TREATMENT:</b>	N/A

TOLERANCE/FINISH UNLESS OTHERWISE SPECIFIED				
INCHES [MM]				125 $\sqrt$ RMS [RA3.2um]
X	.X	.XX	.XXX	
[ $\pm$ .76]	[ $\pm$ .030 [ $\pm$ .25]	[ $\pm$ .010 [ $\pm$ .13]	$\pm$ .005	ANGLES $\pm$ 1 $^\circ$

THIS DOCUMENT IS THE PROPERTY OF **METAPHASE TECHNOLOGIES, INC.** WHOM MAY LOAN IT, SUBJECT TO RETURN UPON DEMAND. IT INCLUDES CONFIDENTIAL & PROPRIETARY INFORMATION WHICH MAY NOT BE DISCLOSED TO ANY THIRD PARTY, AND/ OR USED FOR ANY PURPOSE CONTRARY TO IT'S INTENDED USE, WITHOUT THE EXPRESSED PRIOR WRITTEN CONSENT OF **METAPHASE TECHNOLOGIES, INC.**

TITLE	Back Light 6X6		
USED ON	Per customer		
SIZE	DRAWING NUMBER	REV	
B	BL6X6-CL-1	A	
SCALE 1:2		SHEET 1 OF 1	

Approval Signature \_\_\_\_\_ / / Date \_\_\_\_\_