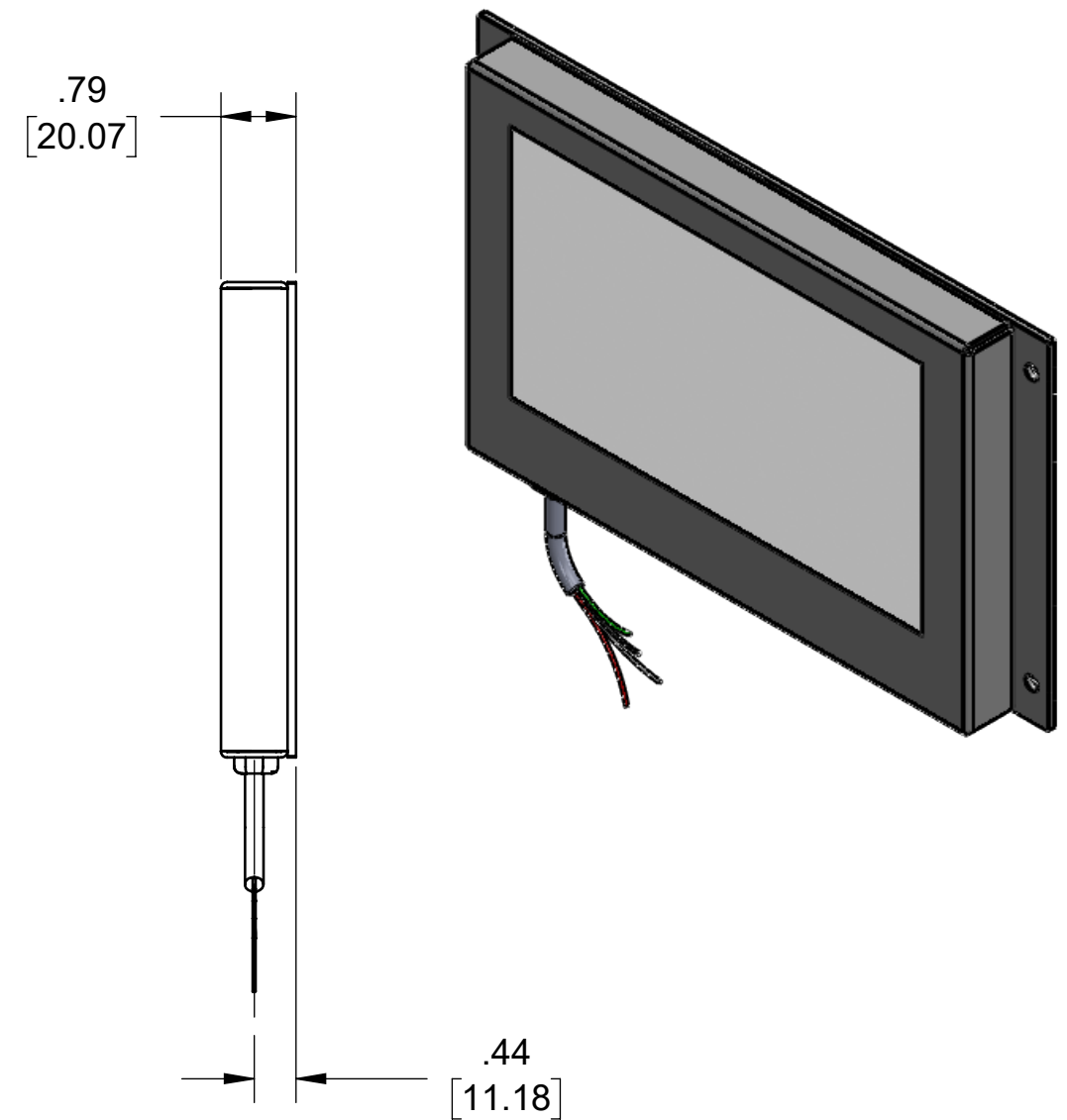
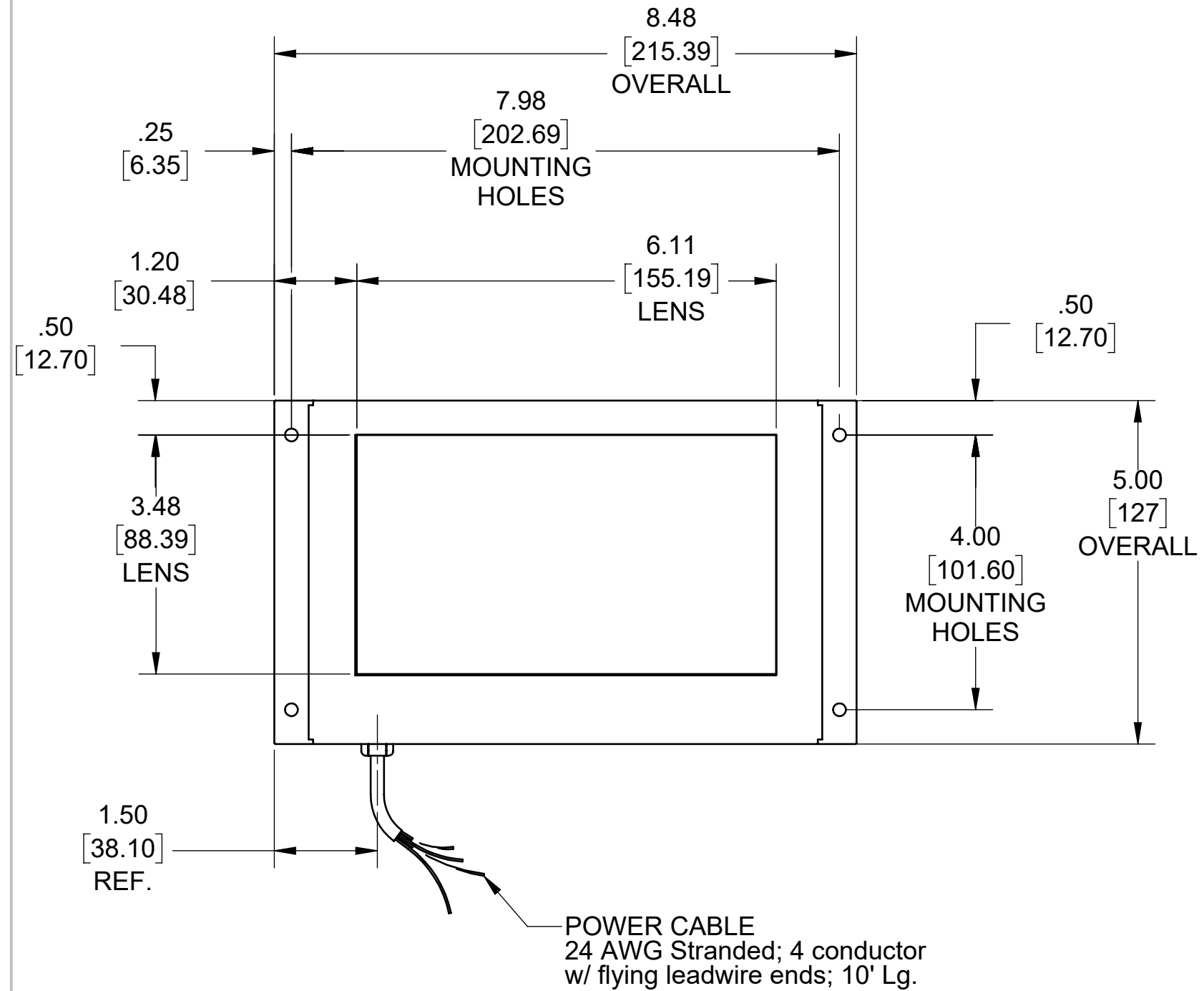


REVISIONS			
REV.	DESCRIPTION	DATE	APPROVED
A	INITIAL RELEASE	5/8/2014	
B	CABLE UPDATE	1/8/2018	
C	REVISED INTERNAL STACK-UP	4/5/2019	



**SEE SHEET 2 FOR EXPLODED VIEW AND BOM.**

Metaphase Technologies, Inc. 211 Sinclair Road, Suite 100, Bristol, PA. 19007 215-639-8699 Fax 215-639-0977



<b>QUANTITY:</b>	Per order	TOLERANCE/FINISH UNLESS OTHERWISE SPECIFIED				
<b>MATERIAL:</b>	Per BOM	INCHES [MM]				
<b>FINISH:</b>	Black Anodize	X	.X	.XX	.XXX	125√RMS [RA3.2um]
<b>TREATMENT:</b>	N/A	[±.76]	±.030 [±.25]	±.010 [±.13]	±.005	ANGLES ±1°

THIS DOCUMENT IS THE PROPERTY OF METAPHASE TECHNOLOGIES, INC. WHOM MAY LOAN IT, SUBJECT TO RETURN UPON DEMAND. IT INCLUDES CONFIDENTIAL & PROPRIETARY INFORMATION WHICH MAY NOT BE DISCLOSED TO ANY THIRD PARTY, AND/ OR USED FOR ANY PURPOSE CONTRARY TO IT'S INTENDED USE, WITHOUT THE EXPRESSED PRIOR WRITTEN CONSENT OF METAPHASE TECHNOLOGIES, INC.

TITLE Back Light 89[3.5"] x 155[6"]		
USED ON Per customer		
SIZE B	DRAWING NUMBER BL89x155FR-1	REV C
SCALE 1:2		SHEET 1 OF 1

Approval Signature \_\_\_\_\_ / / Date \_\_\_\_\_