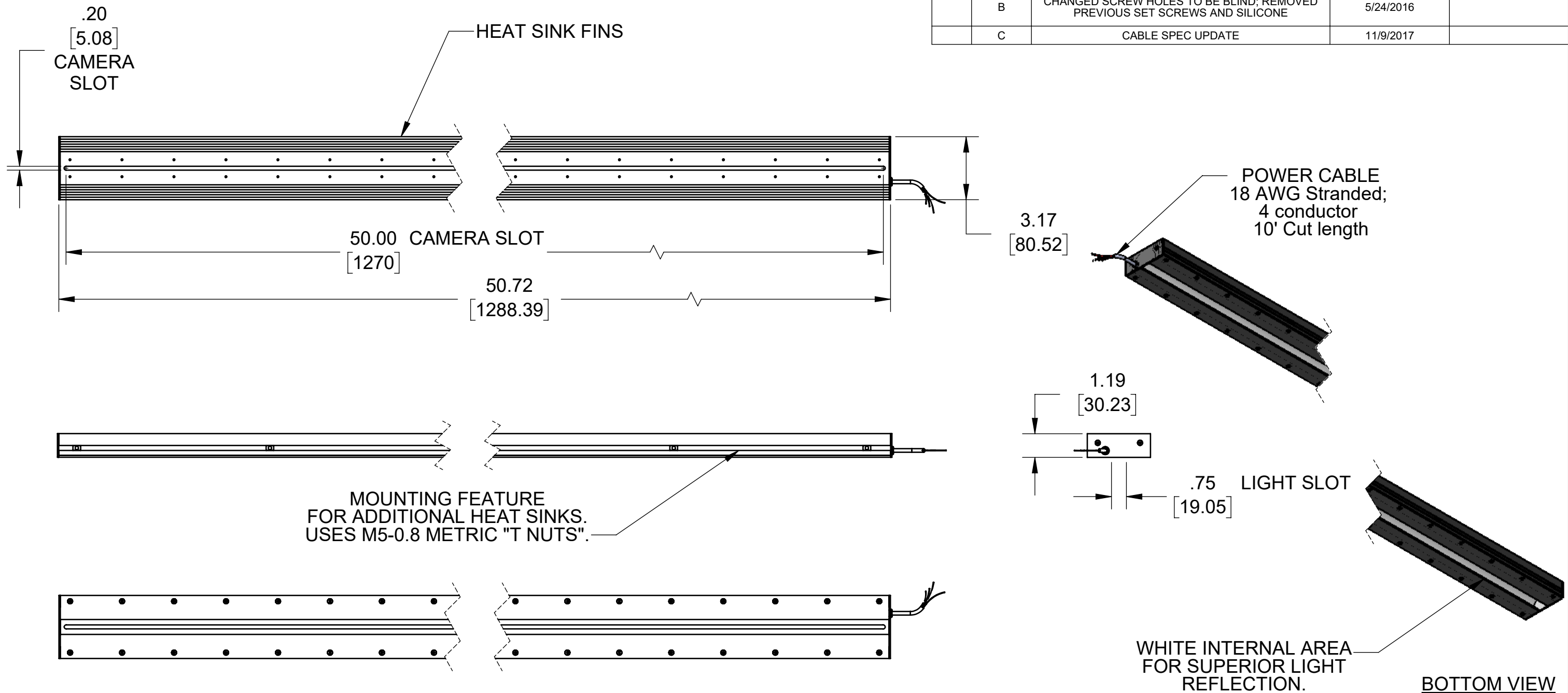


REVISIONS			
REV.	DESCRIPTION	DATE	APPROVED
A	INITIAL RELEASE	5/24/2016	
B	CHANGED SCREW HOLES TO BE BLIND; REMOVED PREVIOUS SET SCREWS AND SILICONE	5/24/2016	
C	CABLE SPEC UPDATE	11/9/2017	



SEE SHEET 2 FOR EXPLODED VIEW AND BOM.

FINISH: BLACK ANODIZED W/ INTERIOR PAINTED WHITE - SEE SHEET 3.

Metaphase Technologies, Inc. 211 Sinclair Road, Suite 100, Bristol, PA. 19007 215-639-8699 Fax 215-639-0977



QUANTITY: Per order

MATERIAL: Per BOM

FINISH: See note

TREATMENT: N/A

TOLERANCE/FINISH UNLESS OTHERWISE SPECIFIED				
	INCHES[MM]			125√RMS [RA3.2um]
X	.X	.XX	.XXX	
[±.76]	±.030 [±.25]	±.010 [±.13]	±.005	ANGLES±1°

THIS DOCUMENT IS THE PROPERTY OF METAPHASE TECHNOLOGIES, INC. WHOM MAY LOAN IT, SUBJECT TO RETURN UPON DEMAND. IT INCLUDES CONFIDENTIAL & PROPRIETARY INFORMATION WHICH MAY NOT BE DISCLOSED TO ANY THIRD PARTY, AND/ OR USED FOR ANY PURPOSE CONTRARY TO IT'S INTENDED USE, WITHOUT THE EXPRESSED PRIOR WRITTEN CONSENT OF METAPHASE TECHNOLOGIES, INC.

TITLE  
Top Assembly; CDT1106 -50" Light

USED ON  
Per customer

SIZE <b>B</b>	DRAWING NUMBER <b>CDT1106-1</b>	REV <b>C</b>
SCALE 1:5		SHEET 1 OF 1

Approval Signature

/ /  
Date