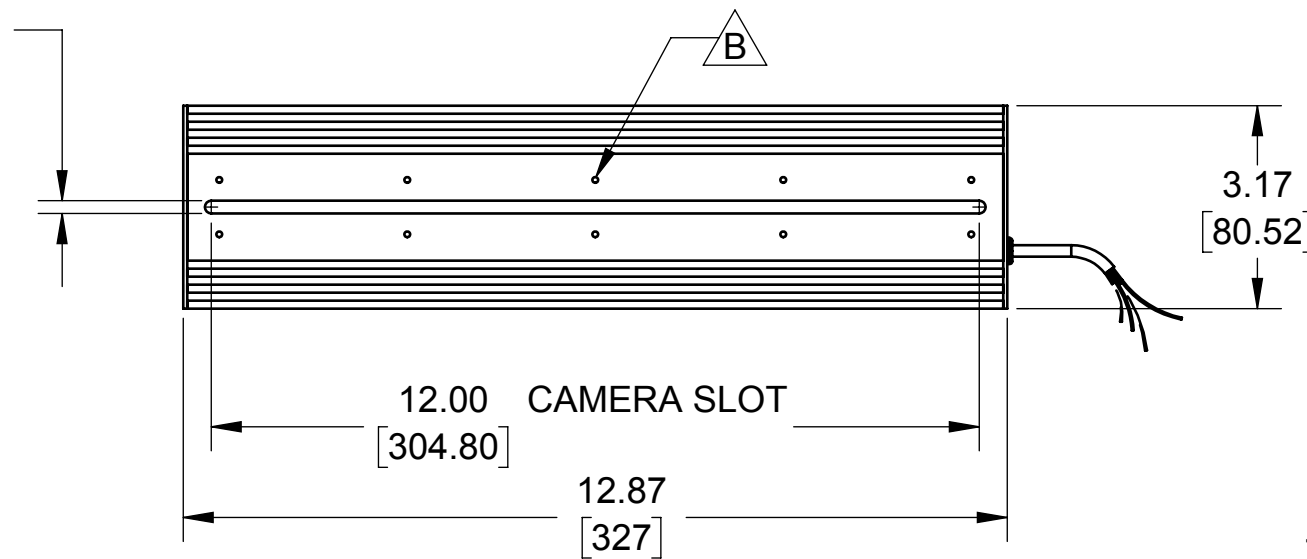


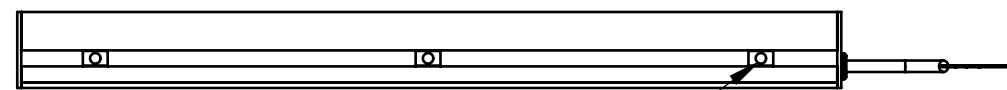
REVISIONS

REV.	DESCRIPTION	DATE	APPROVED
A	INITIAL RELEASE	5/30/2016	
B	CHANGED SCREW HOLES TO BE BLIND; REMOVED PREVIOUS SET SCREWS AND SILICONE	5/30/2016	

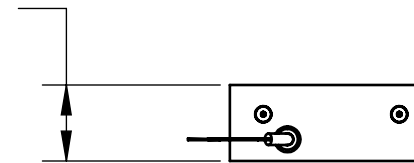
.20
[5.08]
CAMERA
SLOT



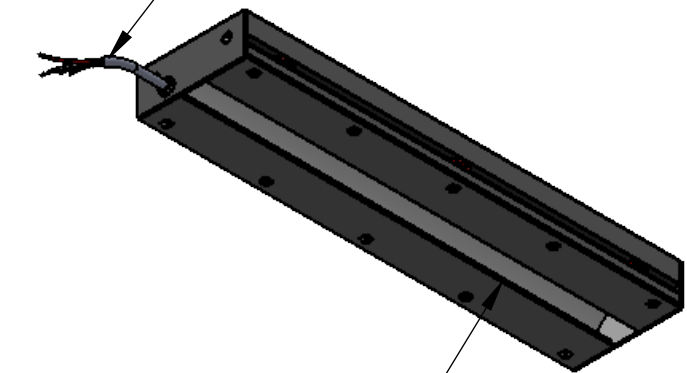
MOUNTING FEATURE
FOR ADDITIONAL HEAT SINKS.
USES (3) SLIDING M5-0.8 METRIC
"T NUTS" PER SIDE.



1.19
[30.23]

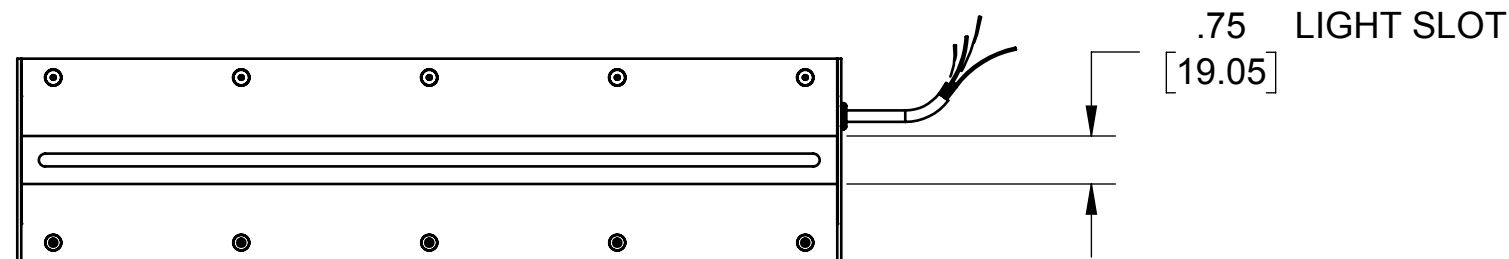


POWER CABLE
24 AWG Stranded;
2 conductor
10' Cut length



WHITE INTERNAL AREA
FOR SUPERIOR LIGHT
REFLECTION.

BOTTOM VIEW



FINISH: BLACK ANODIZED W/ INTERIOR
PAINTED WHITE - SEE SHEET 3.

Metaphase Technologies, Inc. 211 Sinclair Road, Suite 100, Bristol, PA. 19007 215-639-8699 Fax 215-639-0977



QUANTITY: Per order

MATERIAL: Per BOM

FINISH: See note

TREATMENT: N/A

TOLERANCE/FINISH UNLESS OTHERWISE SPECIFIED				
INCHES[MM]				125V RMS [RA3.2um]
X	.X	.XX	.XXX	ANGLES±1°
[±.76]	±.030 [±.25]	±.010 [±.13]	±.005	

THIS DOCUMENT IS THE PROPERTY OF
METAPHASE TECHNOLOGIES, INC. WHOM MAY
LOAN IT, SUBJECT TO RETURN UPON DEMAND.
IT INCLUDES CONFIDENTIAL & PROPRIETARY
INFORMATION WHICH MAY NOT BE DISCLOSED
TO ANY THIRD PARTY, AND/ OR USED FOR
ANY PURPOSE CONTRARY TO IT'S INTENDED
USE, WITHOUT THE EXPRESSED PRIOR WRITTEN
CONSENT OF **METAPHASE TECHNOLOGIES, INC.**

TITLE
Top Assembly; CDT12X.75 12" Light

USED ON
Per customer

SIZE B DRAWING NUMBER CDT12X.75-1 REV B

SCALE 1:4 SHEET 1 OF 3

Approval Signature

/ /
Date