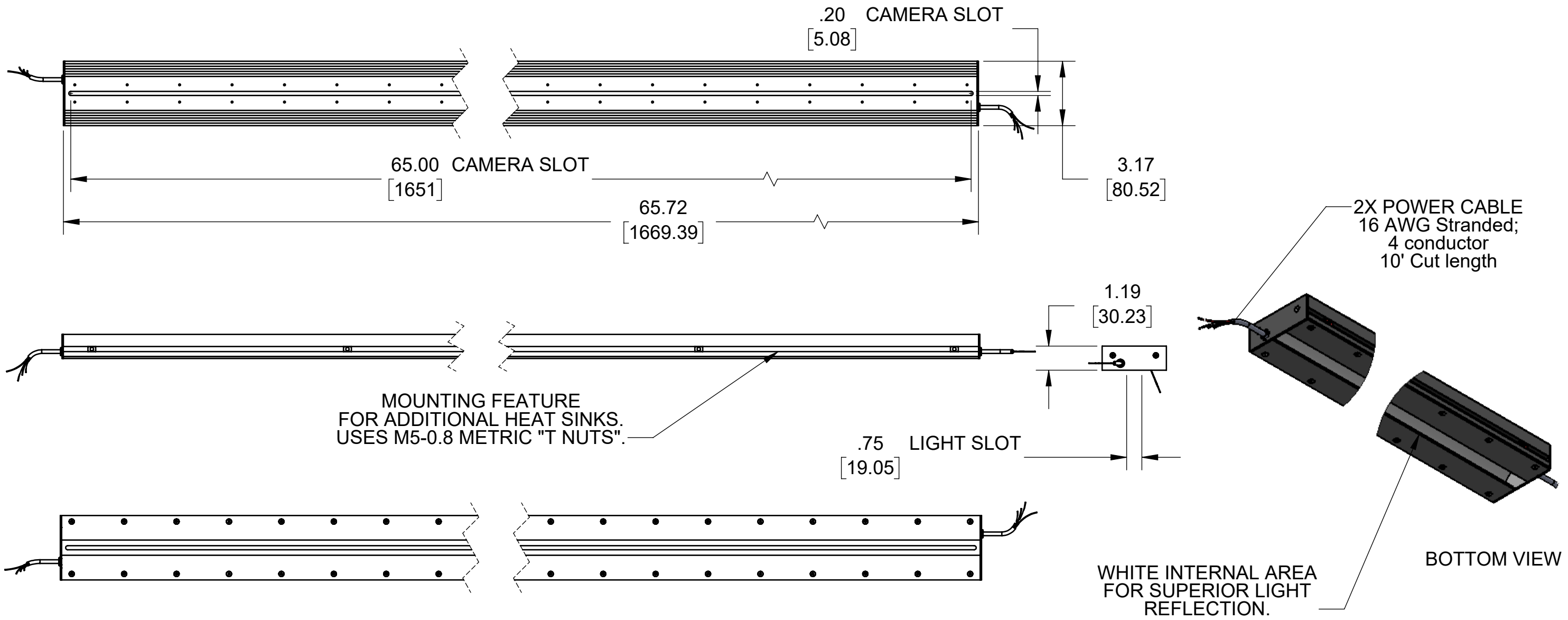


| REVISIONS | | | | |
|-----------|---|-----------|----------|--|
| REV. | DESCRIPTION | DATE | APPROVED | |
| A | INITIAL RELEASE | 5/26/2016 | | |
| B | CHANGED SCREW HOLES TO BE BLIND; REMOVED PREVIOUS SET SCREWS AND SILICONE | 5/26/2016 | | |
| C | CABLE SPEC UPDATE | 11/9/2017 | | |



SEE SHEET 2 FOR EXPLODED VIEW AND BOM.

FINISH: BLACK ANODIZED W/ INTERIOR PAINTED WHITE - SEE SHEET 3.

Metaphase Technologies, Inc. 211 Sinclair Road, Suite 100, Bristol, PA. 19007 215-639-8699 Fax 215-639-0977



QUANTITY: Per order

MATERIAL: Per BOM

FINISH: See note

TREATMENT: N/A

| TOLERANCE/FINISH UNLESS OTHERWISE SPECIFIED | | | | |
|---|--------------|--------------|-------|-------------------|
| INCHES [MM] | | | | |
| X | .X | .XX | .XXX | 125√RMS [RA3.2um] |
| [±.76] | ±.030 [±.25] | ±.010 [±.13] | ±.005 | ANGLES ±1° |

THIS DOCUMENT IS THE PROPERTY OF METAPHASE TECHNOLOGIES, INC. WHOM MAY LOAN IT, SUBJECT TO RETURN UPON DEMAND. IT INCLUDES CONFIDENTIAL & PROPRIETARY INFORMATION WHICH MAY NOT BE DISCLOSED TO ANY THIRD PARTY, AND/ OR USED FOR ANY PURPOSE CONTRARY TO IT'S INTENDED USE, WITHOUT THE EXPRESSED PRIOR WRITTEN CONSENT OF METAPHASE TECHNOLOGIES, INC.

TITLE Top Assembly; CDT1406 -65" Light

USED ON Per customer

SIZE B DRAWING NUMBER CDT1406-1 REV C SCALE 1:5 SHEET 1 OF 1

Approval Signature

/ /
Date