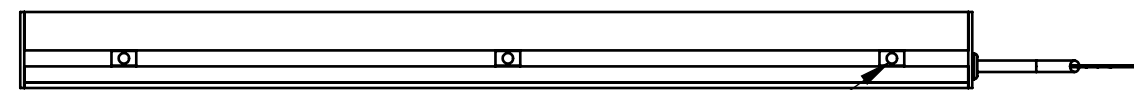
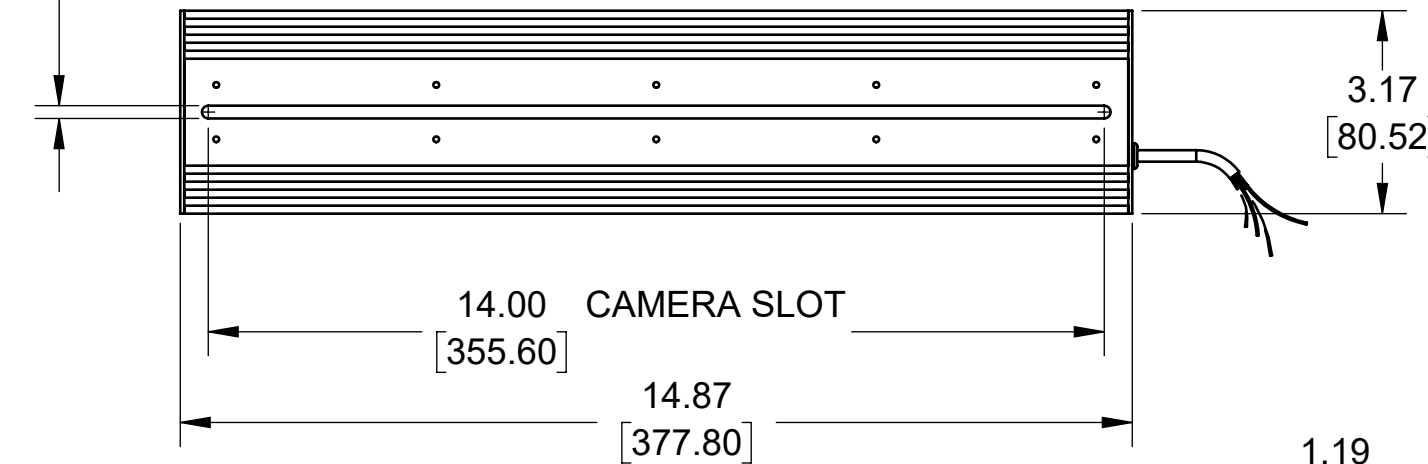


REVISIONS

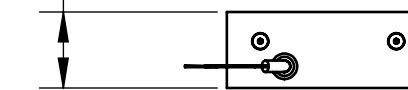
REV.	DESCRIPTION	DATE	APPROVED
A	INITIAL RELEASE	5/25/2017	

.20  
[5.08]  
CAMERA  
SLOT

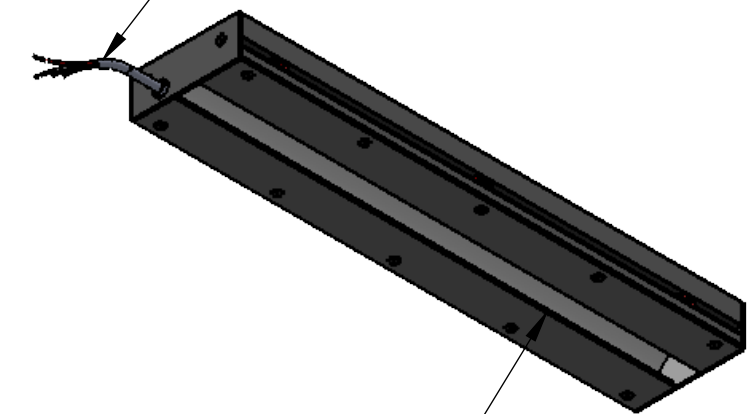


MOUNTING FEATURE  
FOR ADDITIONAL HEAT SINKS.  
USES (3) SLIDING M5-0.8 METRIC  
"T NUTS" PER SIDE.

1.19  
[30.23]

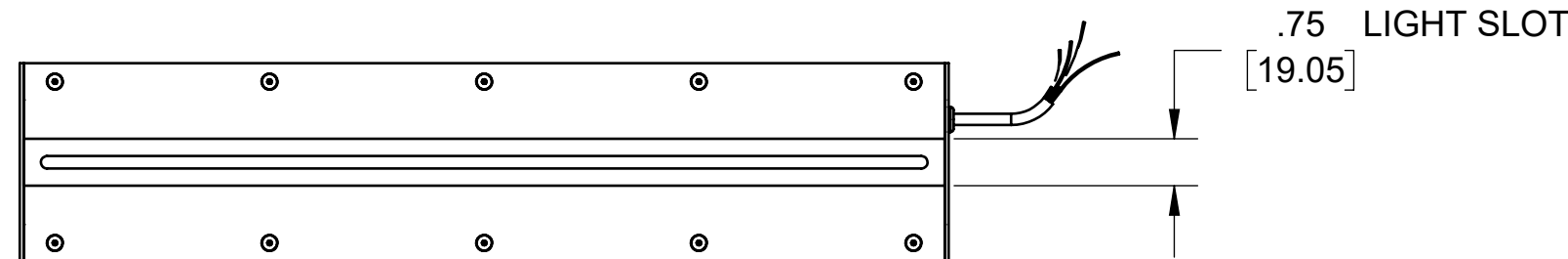


POWER CABLE  
24 AWG Stranded;  
2 conductor  
10' Cut length



WHITE INTERNAL AREA  
FOR SUPERIOR LIGHT  
REFLECTION.

BOTTOM VIEW



.75 LIGHT SLOT  
[19.05]

SEE SHEET 2 FOR EXPLODED VIEW AND BOM.

FINISH: BLACK ANODIZED W/ INTERIOR  
PAINTED WHITE - SEE SHEET 3.

Metaphase Technologies, Inc. 211 Sinclair Road, Suite 100, Bristol, PA. 19007 215-639-8699 Fax 215-639-0977



QUANTITY: Per order

MATERIAL: Per BOM

FINISH: See note

TREATMENT: N/A

TOLERANCE/FINISH UNLESS OTHERWISE SPECIFIED				
INCHES [MM]				
X	.X	.XX	.XXX	125√RMS [RA3.2um]
[±.76]	±.030 [±.25]	±.010 [±.13]	±.005	ANGLES ±1°

THIS DOCUMENT IS THE PROPERTY OF METAPHASE TECHNOLOGIES, INC. WHOM MAY LOAN IT, SUBJECT TO RETURN UPON DEMAND. IT INCLUDES CONFIDENTIAL & PROPRIETARY INFORMATION WHICH MAY NOT BE DISCLOSED TO ANY THIRD PARTY, AND/ OR USED FOR ANY PURPOSE CONTRARY TO IT'S INTENDED USE, WITHOUT THE EXPRESSED PRIOR WRITTEN CONSENT OF METAPHASE TECHNOLOGIES, INC.

TITLE  
Top Assembly; CDT12X.75 14" Light

USED ON  
Per customer

SIZE B DRAWING NUMBER CDT14X.75-1 REV A  
SCALE 1:4 SHEET 1 OF 1

Approval Signature

/ /  
Date