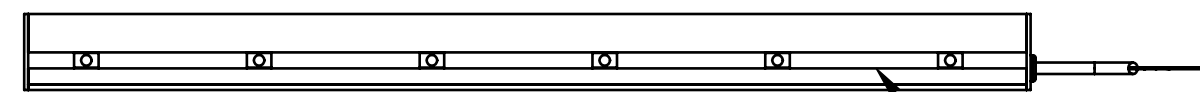
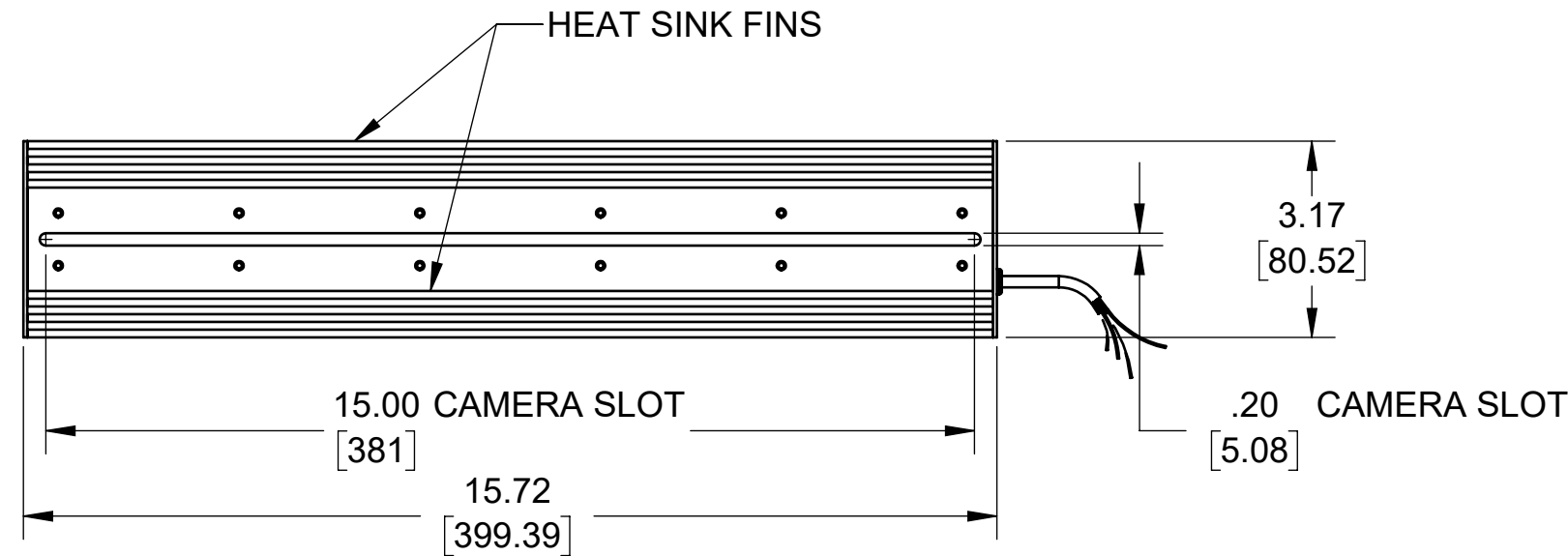
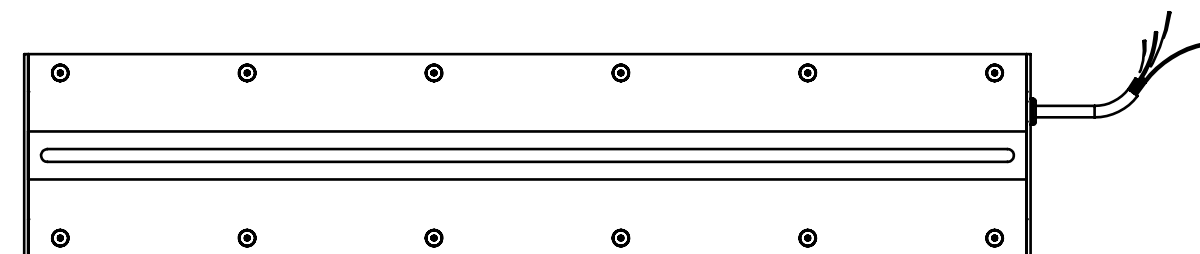


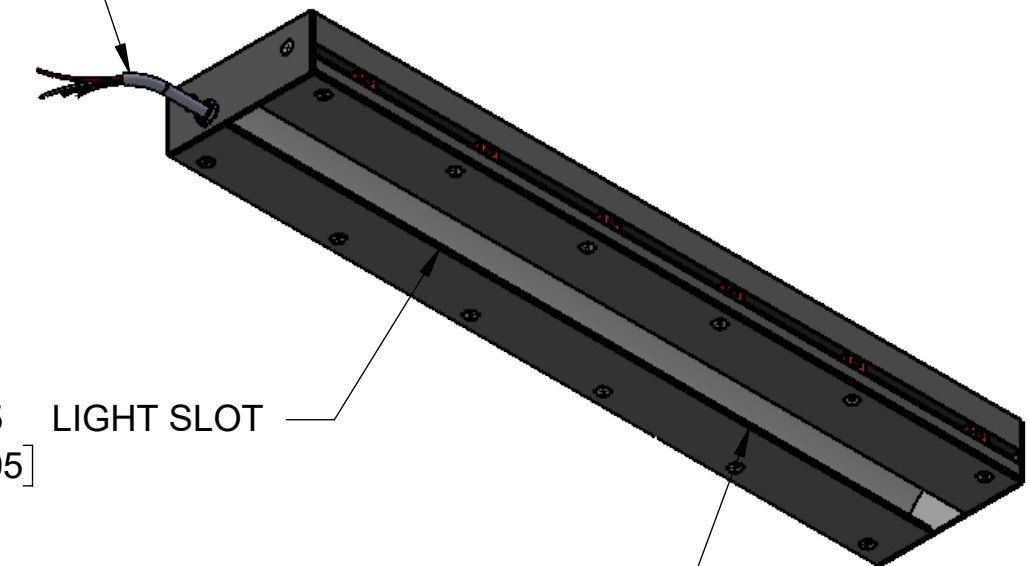
REVISIONS			
REV.	DESCRIPTION	DATE	APPROVED
A	INITIAL RELEASE	5/23/2015	
B	CHANGED SCREW HOLES TO BE BLIND. REMOVED PREVIOUS SET SCREWS AND SILICONE.	5/23/2016	
C	CABLE SPEC UPDATE	11/8/2017	



MOUNTING FEATURE FOR ADDITIONAL HEAT SINKS. USES M5-0.8 METRIC "T NUTS".



POWER CABLE
24 AWG Stranded;
4 conductor
10' Cut length



WHITE INTERNAL AREA FOR SUPERIOR LIGHT REFLECTION.

BOTTOM VIEW

SEE SHEET 2 FOR EXPLODED VIEW AND BOM.

FINISH: BLACK ANODIZED W/ INTERIOR PAINTED WHITE - SEE SHEET 3.

Metaphase Technologies, Inc. 211 Sinclair Road, Suite 100, Bristol, PA. 19007 215-639-8699 Fax 215-639-0977



QUANTITY: Per order

MATERIAL: Per BOM

FINISH: See note

TREATMENT: N/A

TOLERANCE/FINISH UNLESS OTHERWISE SPECIFIED				
INCHES[MM]				125√RMS [RA3.2um]
X	.X	.XX	.XXX	ANGLES±1°
[±.76]	±.030 [±.25]	±.010 [±.13]	±.005	

THIS DOCUMENT IS THE PROPERTY OF METAPHASE TECHNOLOGIES, INC. WHOM MAY LOAN IT, SUBJECT TO RETURN UPON DEMAND. IT INCLUDES CONFIDENTIAL & PROPRIETARY INFORMATION WHICH MAY NOT BE DISCLOSED TO ANY THIRD PARTY, AND/ OR USED FOR ANY PURPOSE CONTRARY TO IT'S INTENDED USE, WITHOUT THE EXPRESSED PRIOR WRITTEN CONSENT OF METAPHASE TECHNOLOGIES, INC.

TITLE Top Assembly; CDT406 -15" Light

USED ON Per customer

SIZE B	DRAWING NUMBER CDT406-1	REV C
SCALE 1:4		SHEET 1 OF 1

Approval Signature

/ /
Date