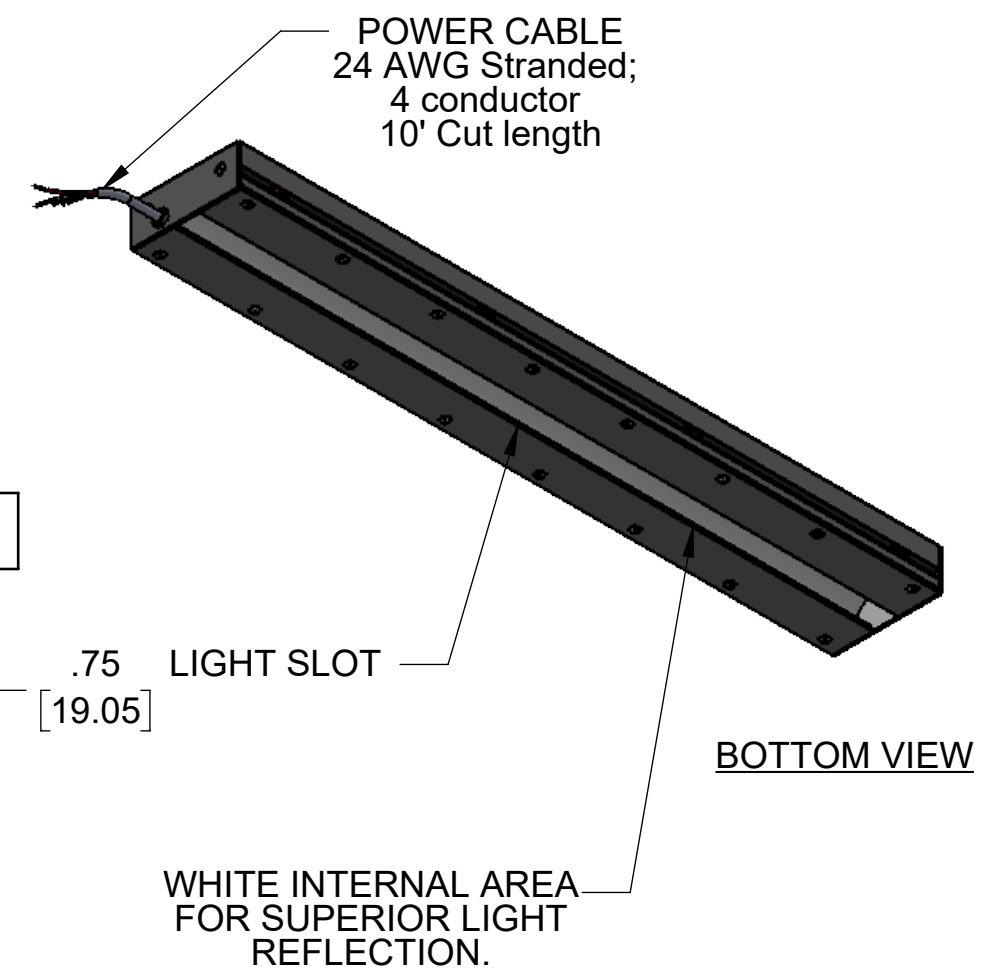


| REVISIONS | | | |
|-----------|--|------------|----------|
| REV. | DESCRIPTION | DATE | APPROVED |
| A | INITIAL RELEASE | 11/25/2013 | |
| B | CHANGED SCREW HOLES TO BE BLIND; REMOVED PREVIOUS SET SCREWS AND SILICONE. | 5/9/2016 | |
| C | CABLE SPEC UPDATE | 11/8/2017 | |



SEE SHEET 2 FOR EXPLODED VIEW AND BOM.

FINISH: BLACK ANODIZED W/ INTERIOR PAINTED WHITE - SEE SHEET 3.

| Metaphase Technologies, Inc. 211 Sinclair Road, Suite 100, Bristol, PA. 19007 215-639-8699 Fax 215-639-0977 | | | | | | | | | | | | | | | | | | | | | | | |
|---|---|---|--------------|-------------------|--|--|-------------|--|--|--|-------------------|---|----|-----|------|--|--------|--------------|--------------|-------|------------|--|--|
| QUANTITY: Per order | <table border="1"> <thead> <tr> <th colspan="5">TOLERANCE/FINISH UNLESS OTHERWISE SPECIFIED</th> </tr> <tr> <th colspan="4">INCHES [MM]</th> <th>125√RMS [RA3.2um]</th> </tr> <tr> <th>X</th> <th>.X</th> <th>.XX</th> <th>.XXX</th> <th></th> </tr> </thead> <tbody> <tr> <td>[±.76]</td> <td>±.030 [±.25]</td> <td>±.010 [±.13]</td> <td>±.005</td> <td>ANGLES ±1°</td> </tr> </tbody> </table> | TOLERANCE/FINISH UNLESS OTHERWISE SPECIFIED | | | | | INCHES [MM] | | | | 125√RMS [RA3.2um] | X | .X | .XX | .XXX | | [±.76] | ±.030 [±.25] | ±.010 [±.13] | ±.005 | ANGLES ±1° | THIS DOCUMENT IS THE PROPERTY OF METAPHASE TECHNOLOGIES, INC. WHOM MAY LOAN IT, SUBJECT TO RETURN UPON DEMAND. IT INCLUDES CONFIDENTIAL & PROPRIETARY INFORMATION WHICH MAY NOT BE DISCLOSED TO ANY THIRD PARTY, AND/ OR USED FOR ANY PURPOSE CONTRARY TO IT'S INTENDED USE, WITHOUT THE EXPRESSED PRIOR WRITTEN CONSENT OF METAPHASE TECHNOLOGIES, INC. | |
| TOLERANCE/FINISH UNLESS OTHERWISE SPECIFIED | | | | | | | | | | | | | | | | | | | | | | | |
| INCHES [MM] | | | | 125√RMS [RA3.2um] | | | | | | | | | | | | | | | | | | | |
| X | | .X | .XX | .XXX | | | | | | | | | | | | | | | | | | | |
| [±.76] | ±.030 [±.25] | ±.010 [±.13] | ±.005 | ANGLES ±1° | | | | | | | | | | | | | | | | | | | |
| MATERIAL: Per BOM | TITLE Top Assembly; CDT506 -20" Light | | | | | | | | | | | | | | | | | | | | | | |
| FINISH: See note | USED ON Per customer | | | | | | | | | | | | | | | | | | | | | | |
| TREATMENT: N/A | SIZE B | DRAWING NUMBER CDT506-1 | REV C | | | | | | | | | | | | | | | | | | | | |
| | | SCALE 1:4 | SHEET 1 OF 1 | | | | | | | | | | | | | | | | | | | | |

Approval Signature _____ / / Date _____