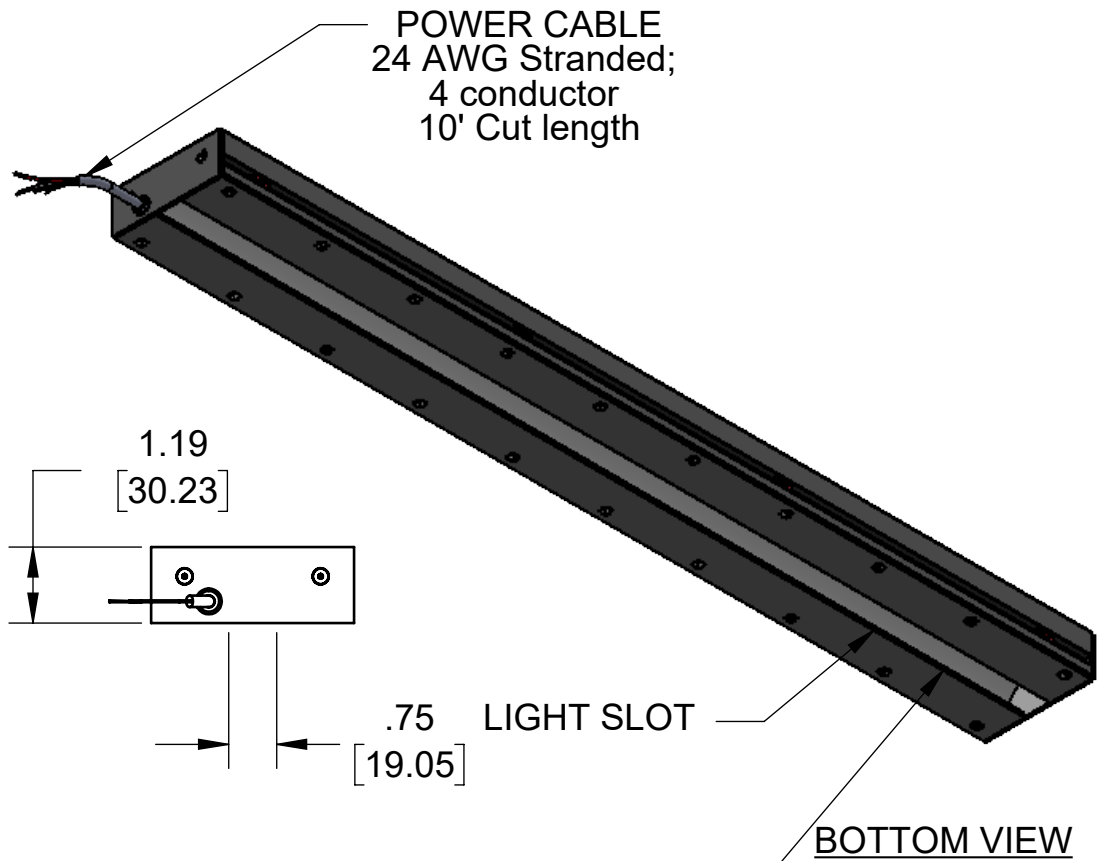
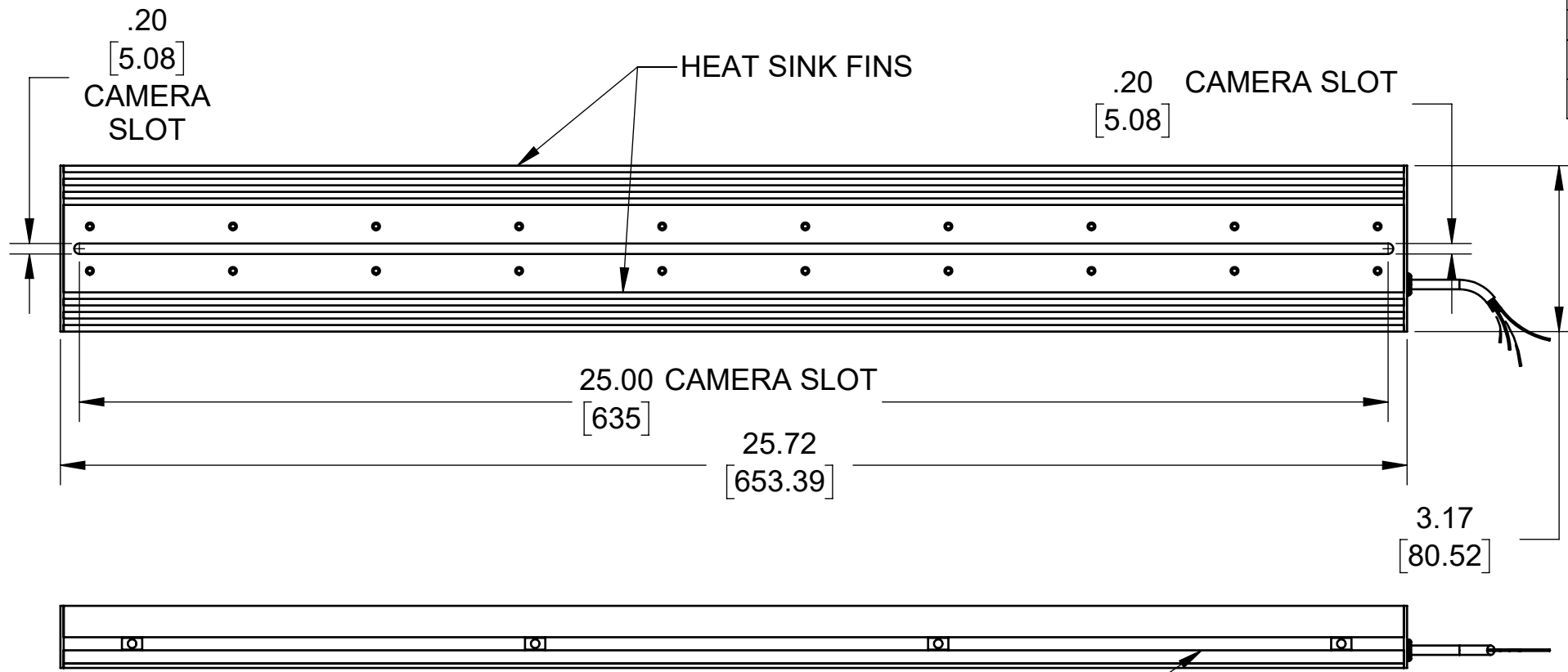
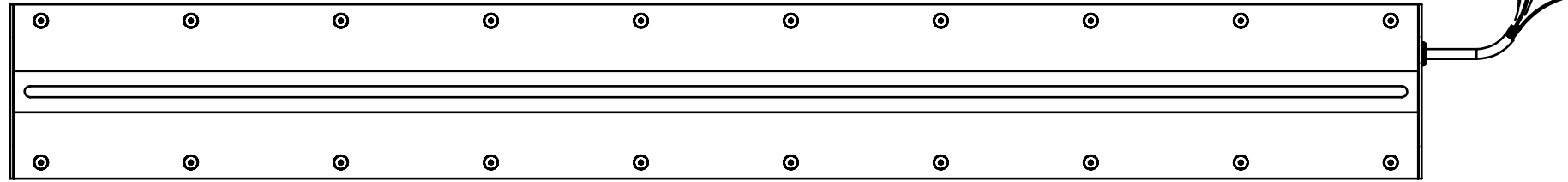


REVISIONS			
REV.	DESCRIPTION	DATE	APPROVED
A	INITIAL RELEASE	11/25/2013	
B	CHANGED SCREW HOLES TO BE BLIND; REMOVED PREVIOUS SET SCREWS AND SILICONE.	5/11/2016	
C	CABLE SPEC UPDATE	11/8/2017	



MOUNTING FEATURE FOR ADDITIONAL HEAT SINKS. USES M5-0.8 METRIC "T NUTS".

WHITE INTERNAL AREA FOR SUPERIOR LIGHT REFLECTION.



SEE SHEET 2 FOR EXPLODED VIEW AND BOM.

FINISH: BLACK ANODIZED W/ INTERIOR PAINTED WHITE - SEE SHEET 3.

Metaphase Technologies, Inc. 211 Sinclair Road, Suite 100, Bristol, PA. 19007 215-639-8699 Fax 215-639-0977



QUANTITY: Per order	TOLERANCE/FINISH UNLESS OTHERWISE SPECIFIED INCHES[MM] 125V RMS [RA3.2um] X .X .XX .XXX [±.76] [±.030] [±.010] [±.13] ±.005 ANGLES±1°
MATERIAL: Per BOM	
FINISH: Black Anodize	
TREATMENT: N/A	

THIS DOCUMENT IS THE PROPERTY OF METAPHASE TECHNOLOGIES, INC. WHOM MAY LOAN IT, SUBJECT TO RETURN UPON DEMAND. IT INCLUDES CONFIDENTIAL & PROPRIETARY INFORMATION WHICH MAY NOT BE DISCLOSED TO ANY THIRD PARTY, AND/ OR USED FOR ANY PURPOSE CONTRARY TO IT'S INTENDED USE, WITHOUT THE EXPRESSED PRIOR WRITTEN CONSENT OF METAPHASE TECHNOLOGIES, INC.

TITLE	Top Assembly; CDT606 -25" Light		
USED ON	Per customer		
SIZE	DRAWING NUMBER	REV	
B	CDT606-1	C	
SCALE 1:4		SHEET 1 OF 1	

Approval Signature _____

/ /
Date