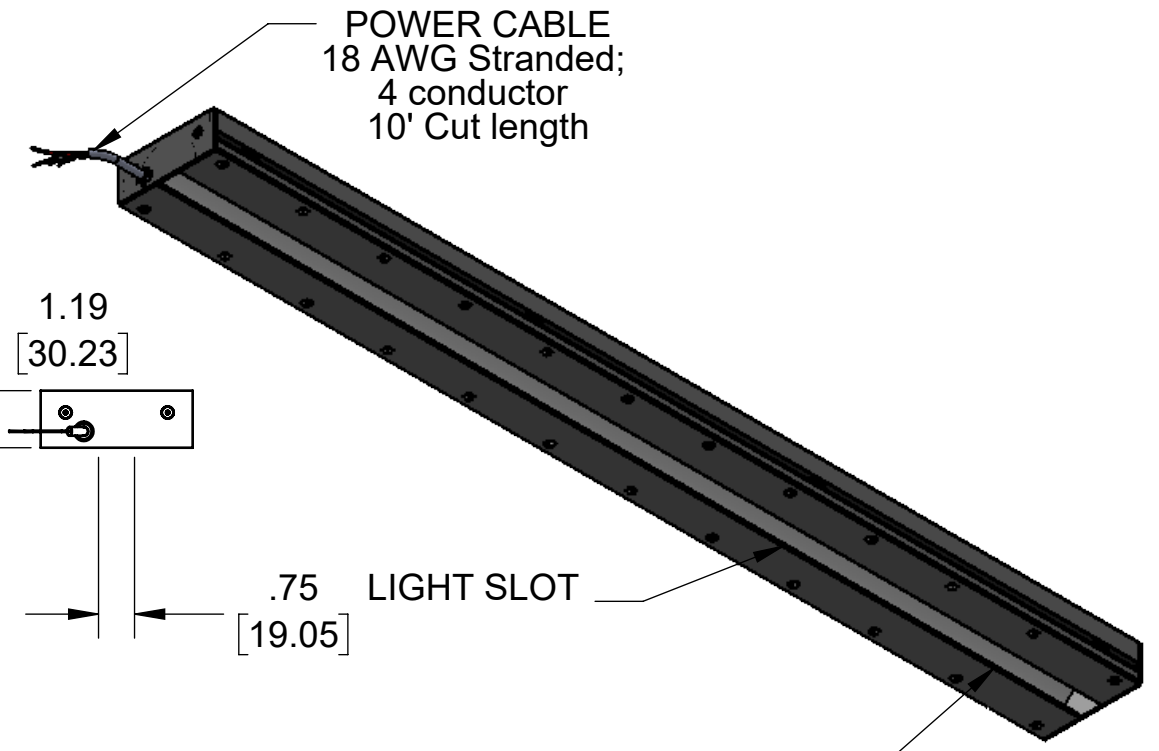


REVISIONS				
REV.	DESCRIPTION	DATE	APPROVED	
A	INITIAL RELEASE	5/11/2016		
B	CHANGED SCREW HOLES TO BE BLIND; REMOVED PREVIOUS SET SCREWS AND SILICONE	5/11/2016		
C	CABLE SPEC UPDATE	11/8/2017		



WHITE INTERNAL AREA FOR SUPERIOR LIGHT REFLECTION. **BOTTOM VIEW**

FINISH: BLACK ANODIZED W/ INTERIOR PAINTED WHITE - SEE SHEET 3.

SEE SHEET 2 FOR EXPLODED VIEW AND BOM.

Approval Signature \_\_\_\_\_

/ /  
Date

Metaphase Technologies, Inc. 211 Sinclair Road, Suite 100, Bristol, PA. 19007 215-639-8699 Fax 215-639-0977			
<b>QUANTITY:</b> Per order <b>MATERIAL:</b> Per BOM <b>FINISH:</b> See note <b>TREATMENT:</b> N/A	TOLERANCE/FINISH UNLESS OTHERWISE SPECIFIED INCHES[MM] 125√RMS [RA3.2um] X .X .XX .XXX [±.76] [±.030] [±.010] [±.005] ANGLES±1° [±.25] [±.13]	THIS DOCUMENT IS THE PROPERTY OF METAPHASE TECHNOLOGIES, INC. WHOM MAY LOAN IT, SUBJECT TO RETURN UPON DEMAND. IT INCLUDES CONFIDENTIAL & PROPRIETARY INFORMATION WHICH MAY NOT BE DISCLOSED TO ANY THIRD PARTY, AND/ OR USED FOR ANY PURPOSE CONTRARY TO IT'S INTENDED USE, WITHOUT THE EXPRESSED PRIOR WRITTEN CONSENT OF METAPHASE TECHNOLOGIES, INC.	<b>TITLE</b> Top Assembly; CDT706 -30" Light <b>USED ON</b> Per customer <b>SIZE</b> B <b>DRAWING NUMBER</b> CDT706-1 <b>REV</b> C SCALE 1:4 SHEET 1 OF 1