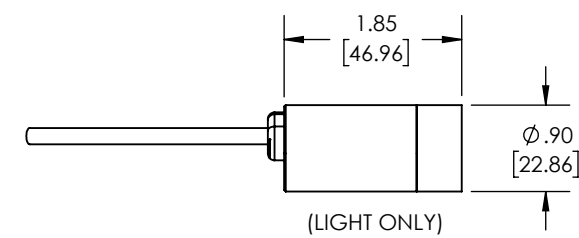
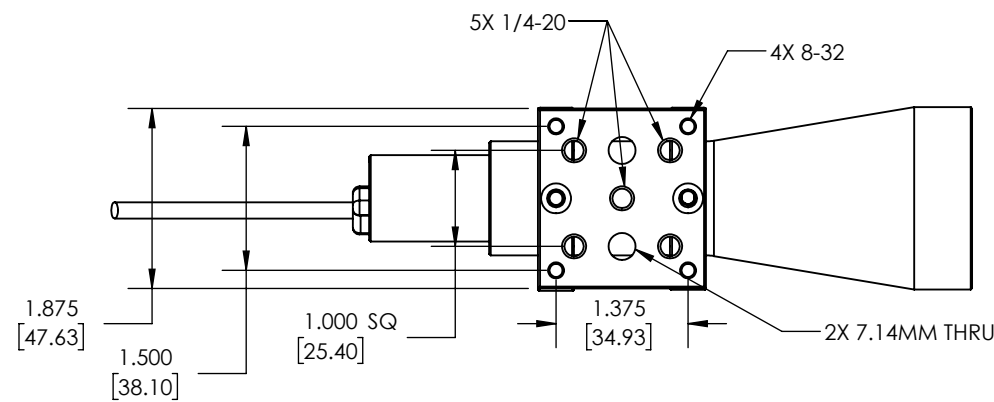
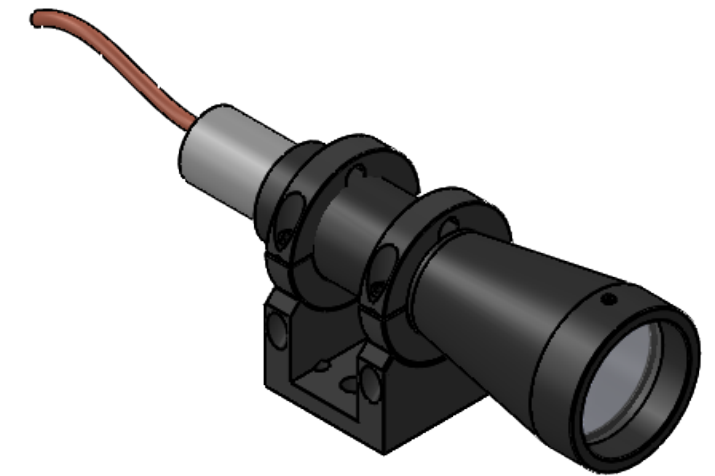
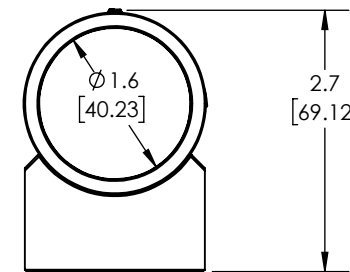
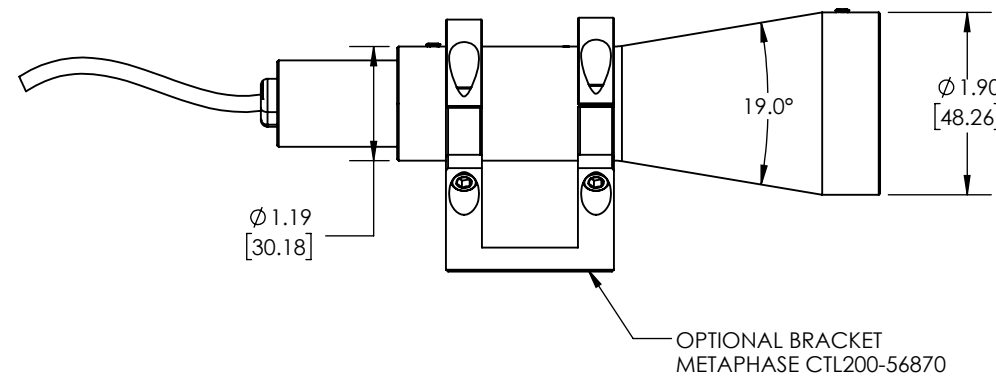
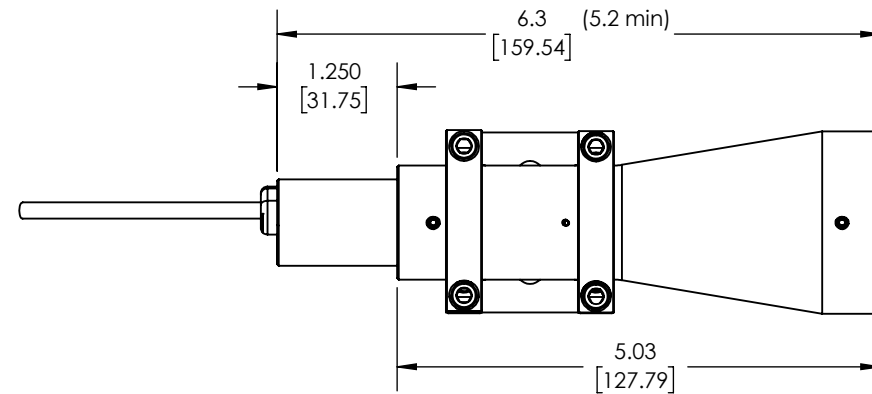


REVISIONS			
REV.	DESCRIPTION	DATE	APPROVED
H	REFORMATTED	6/26/2017	
J	ADDED OPTIONAL BRACKET DETAIL SHEET 2	1/26/2018	



Metaphase Technologies, Inc. 211 Sinclair Road, Suite 100, Bristol, PA. 19007 215-639-8699 Fax 215-639-0977



<b>QUANTITY:</b>	Per order
<b>MATERIAL:</b>	Per BOM
<b>FINISH:</b>	See note
<b>TREATMENT:</b>	N/A

TOLERANCE / FINISH UNLESS OTHERWISE SPECIFIED				
INCHES [MM]				
X	.X	.XX	.XXX	125√RMS [RA3.2um]
[±.76]	±.030 [±.25]	±.010 [±.13]	±.005	ANGLES ±1°

THIS DOCUMENT IS THE PROPERTY OF METAPHASE TECHNOLOGIES, INC. WHOM MAY LOAN IT, SUBJECT TO RETURN UPON DEMAND. IT INCLUDES CONFIDENTIAL & PROPRIETARY INFORMATION WHICH MAY NOT BE DISCLOSED TO ANY THIRD PARTY, AND/ OR USED FOR ANY PURPOSE CONTRARY TO IT'S INTENDED USE, WITHOUT THE EXPRESSED PRIOR WRITTEN CONSENT OF METAPHASE TECHNOLOGIES, INC.

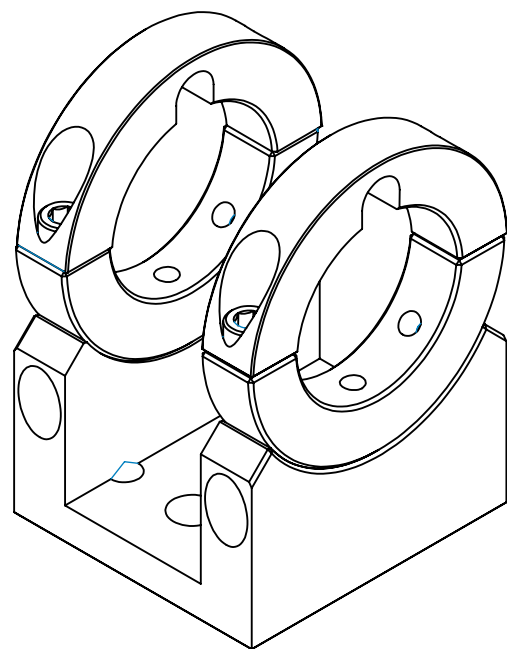
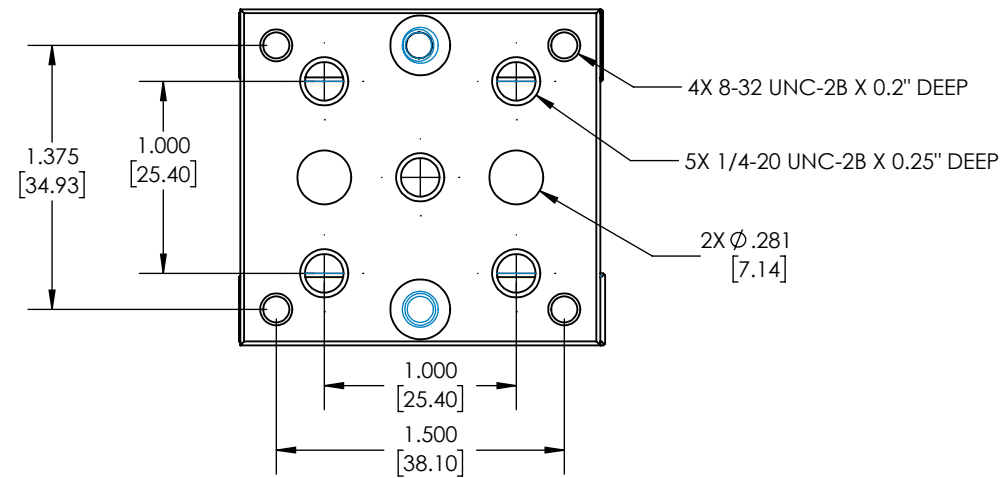
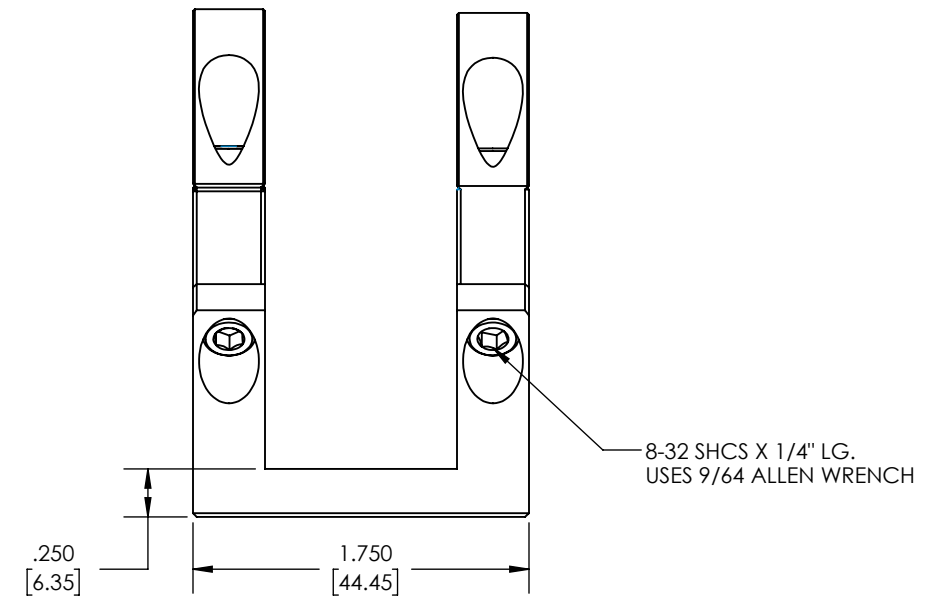
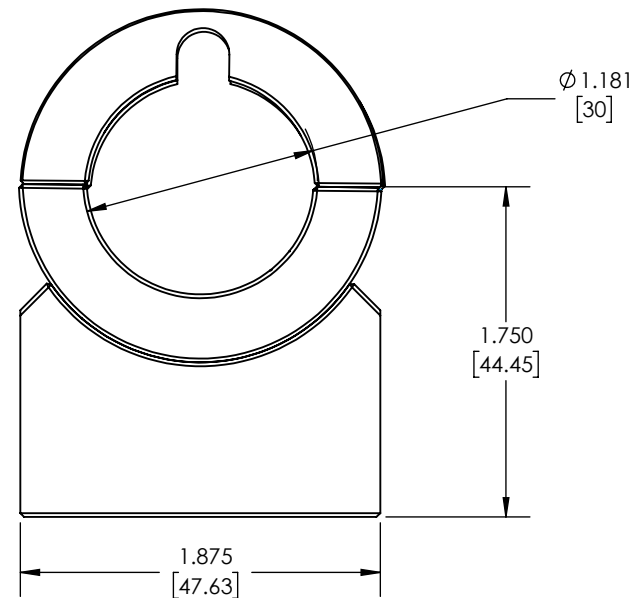
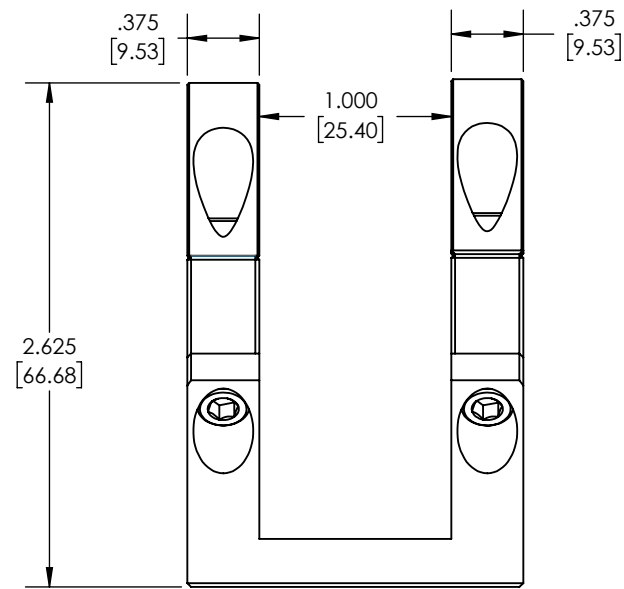
TITLE  
**COLLIMATING TUBE LIGHT**

USED ON  
**Per customer**

SIZE <b>B</b>	DRAWING NUMBER <b>CTL-200</b>	REV <b>J</b>
SCALE 1:2		SHEET 1 OF 2

Approval Signature

/ /  
Date



Metaphase Technologies, Inc. 211 Sinclair Road, Suite 100,  
Bristol, PA. 19007 215-639-8699 Fax 215-639-0977



TOLERANCE/FINISH UNLESS OTHERWISE SPECIFIED				
INCHES[MM]				125√RMS [RA3.2um]
X	.X	.XX	.XXX	ANGLES±1°
[±.76]	±.030 [±.25]	±.010 [±.13]	±.005	

FLAT PATTERNS USE 0.5 K FACTOR FOR DESIGN REFERENCE ONLY. ACTUAL VALUE MAY VARY, USE TEST PART AS REQ'D TO VERIFY ACCURACY

THIS DOCUMENT IS THE PROPERTY OF **METAPHASE TECHNOLOGIES, INC.** WHOM MAY LOAN IT, SUBJECT TO RETURN UPON DEMAND. IT INCLUDES CONFIDENTIAL & PROPRIETARY INFORMATION WHICH MAY NOT BE DISCLOSED TO ANY THIRD PARTY, AND/ OR USED FOR ANY PURPOSE CONTRARY TO IT'S INTENDED USE, WITHOUT THE EXPRESSED PRIOR WRITTEN CONSENT OF **METAPHASE TECHNOLOGIES, INC.**

TITLE  
**COLLIMATING TUBE LIGHT**

USED ON  
**Per customer**

SIZE <b>B</b>	DRAWING NUMBER <b>CTL-200</b>	REV <b>J</b>
SCALE 1:2	SHEET 2 OF 2	