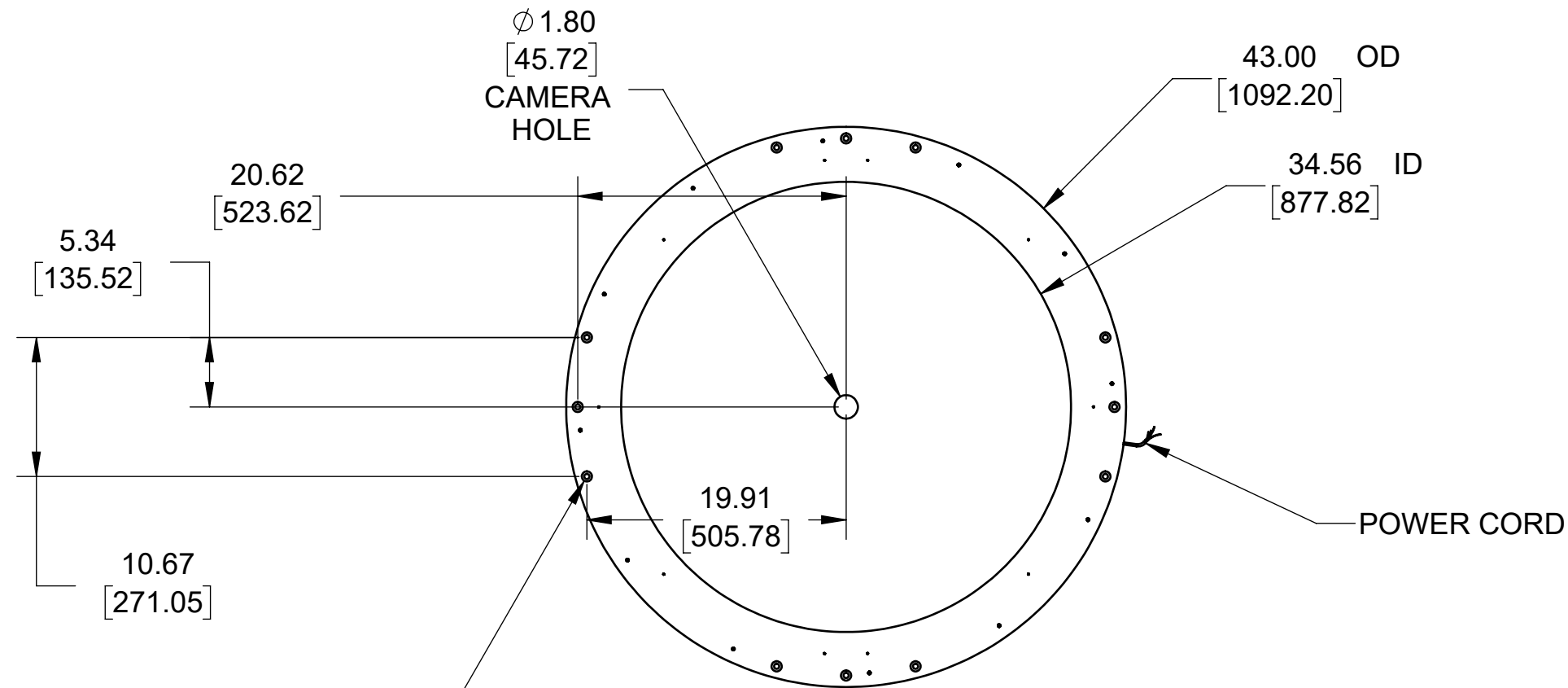
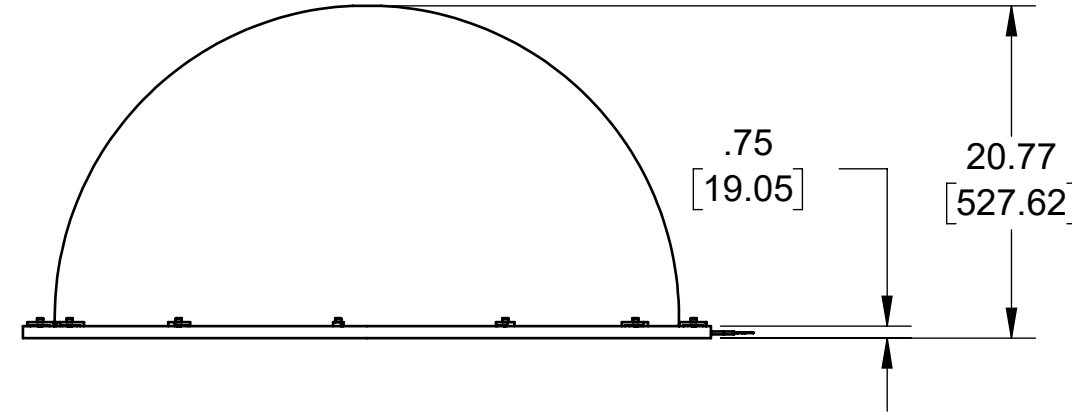


REVISIONS			
REV.	DESCRIPTION	DATE	APPROVED
A	INITIAL RELEASE	1/15/2011	
B	ASSEMBLY REDESIGN AND REDRAWN.	6/16/2014	
C	REMOVED DOME SCREWS; ADDED NEW CLAMP AND SCREWS. SEE SHEET 2	8/28/2015	



$\phi$  .40 [10.08] THRU ALL  
 $\surd$   $\phi$  .78 [19.84] X 82°  
 3 HOLE PATTERN  
 4 PATTERNS 90° APART

SEE SHEET 2 FOR EXPLODED VIEW AND BOM.



DOME INTERIOR IS PAINTED BRILLIANT WHITE FOR SUPERIOR REFLECTION.

Metaphase Technologies, Inc. 211 Sinclair Road, Suite 100, Bristol, PA. 19007 215-639-8699 Fax 215-639-0977



**QUANTITY:** Per order  
**MATERIAL:** Aluminum, Acrylic  
**FINISH:** BlackAnodize, Black Paint  
**TREATMENT:** N/A

TOLERANCE/FINISH UNLESS OTHERWISE SPECIFIED				
INCHES [MM]				
X	.X	.XX	.XXX	125√RMS [RA3.2um]
[±.76]	±.030 [±.25]	±.010 [±.13]	±.005	ANGLES ±1°

THIS DOCUMENT IS THE PROPERTY OF METAPHASE TECHNOLOGIES, INC. WHOM MAY LOAN IT, SUBJECT TO RETURN UPON DEMAND. IT INCLUDES CONFIDENTIAL & PROPRIETARY INFORMATION WHICH MAY NOT BE DISCLOSED TO ANY THIRD PARTY, AND/ OR USED FOR ANY PURPOSE CONTRARY TO IT'S INTENDED USE, WITHOUT THE EXPRESSED PRIOR WRITTEN CONSENT OF METAPHASE TECHNOLOGIES, INC.

TITLE  
Dome Light 34.50 Inch ID

USED ON  
Per customer

SIZE <b>B</b>	DRAWING NUMBER <b>DL1006-1</b>	REV <b>C</b>
SCALE 1:12		SHEET 1 OF 1

Approval Signature

/ /  
Date