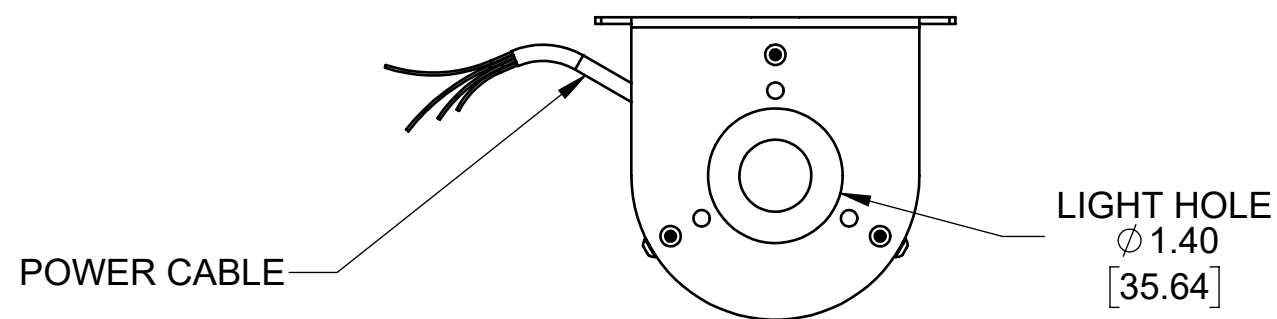
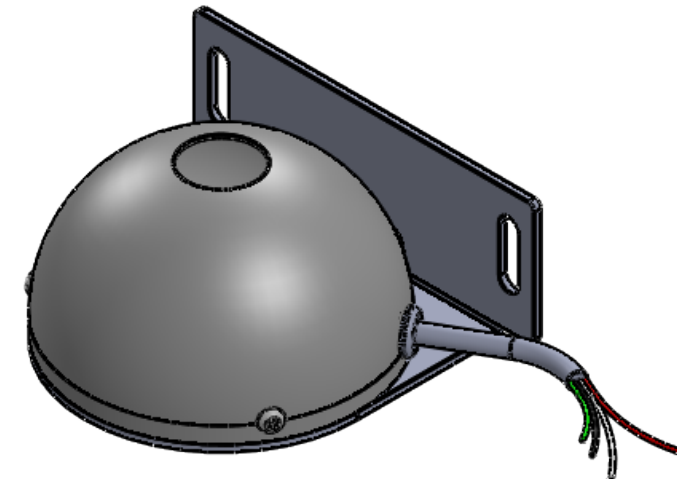
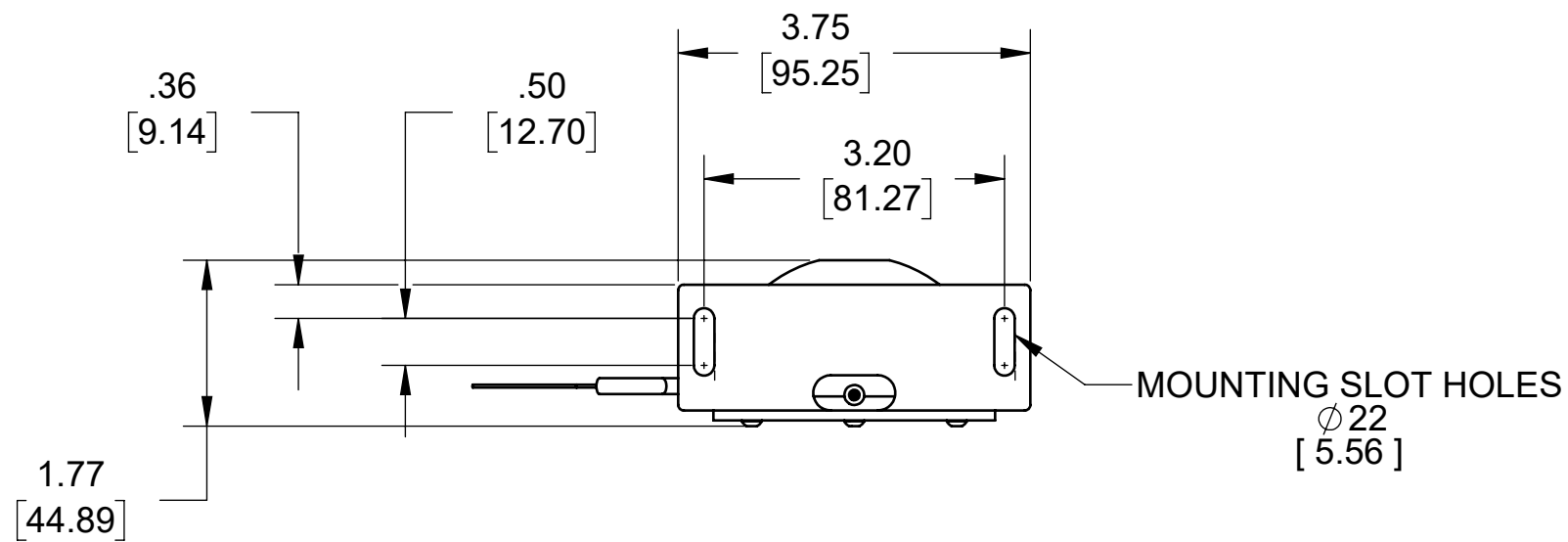


REVISIONS			
REV.	DESCRIPTION	DATE	APPROVED
A	INITIAL RELEASE	4/18/2018	



MOUNTING SLOT HOLES
 $\phi .22$
 [5.56]

Metaphase Technologies, Inc. 211 Sinclair Road, Suite 100, Bristol, PA. 19007 215-639-8699 Fax 215-639-0977



QUANTITY: Per order

MATERIAL: Aluminum 6061-T6

FINISH: Black Anodize

TREATMENT: N/A

TOLERANCE/FINISH
UNLESS OTHERWISE SPECIFIED

INCHES [MM]				125V RMS [RA3.2um]
X	.X	.XX	.XXX	ANGLES $\pm 1^\circ$
[$\pm .76$]	[$\pm .030$ [$\pm .25$]	[$\pm .010$ [$\pm .13$]	$\pm .005$	

THIS DOCUMENT IS THE PROPERTY OF METAPHASE TECHNOLOGIES, INC. WHOM MAY LOAN IT, SUBJECT TO RETURN UPON DEMAND. IT INCLUDES CONFIDENTIAL & PROPRIETARY INFORMATION WHICH MAY NOT BE DISCLOSED TO ANY THIRD PARTY, AND/ OR USED FOR ANY PURPOSE CONTRARY TO IT'S INTENDED USE, WITHOUT THE EXPRESSED PRIOR WRITTEN CONSENT OF METAPHASE TECHNOLOGIES, INC.

TITLE
Top Assy.; Dome Light

USED ON
Per customer

SIZE B	DRAWING NUMBER DL101-1	REV A
SCALE 1:4		SHEET 1 OF 1

Approval Signature

/ /
 Date