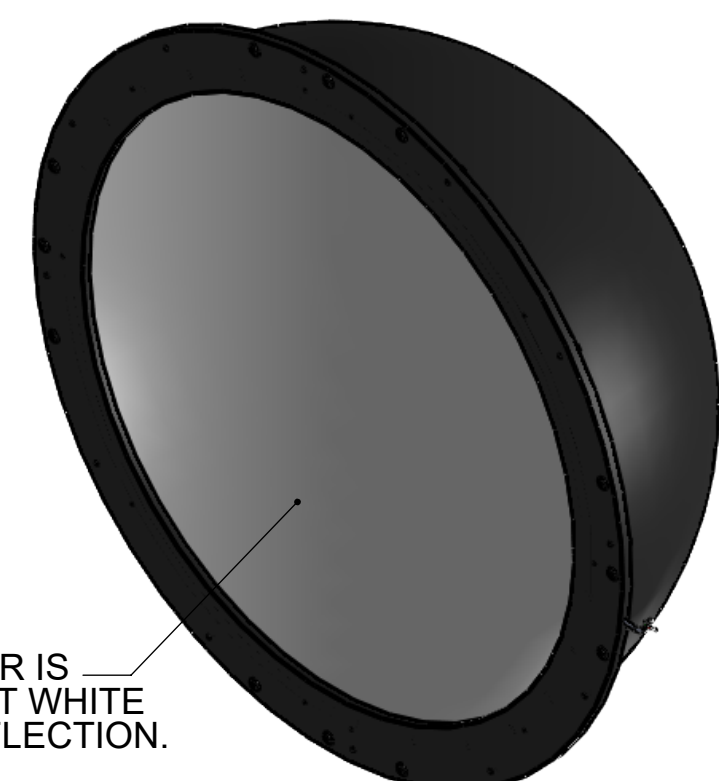
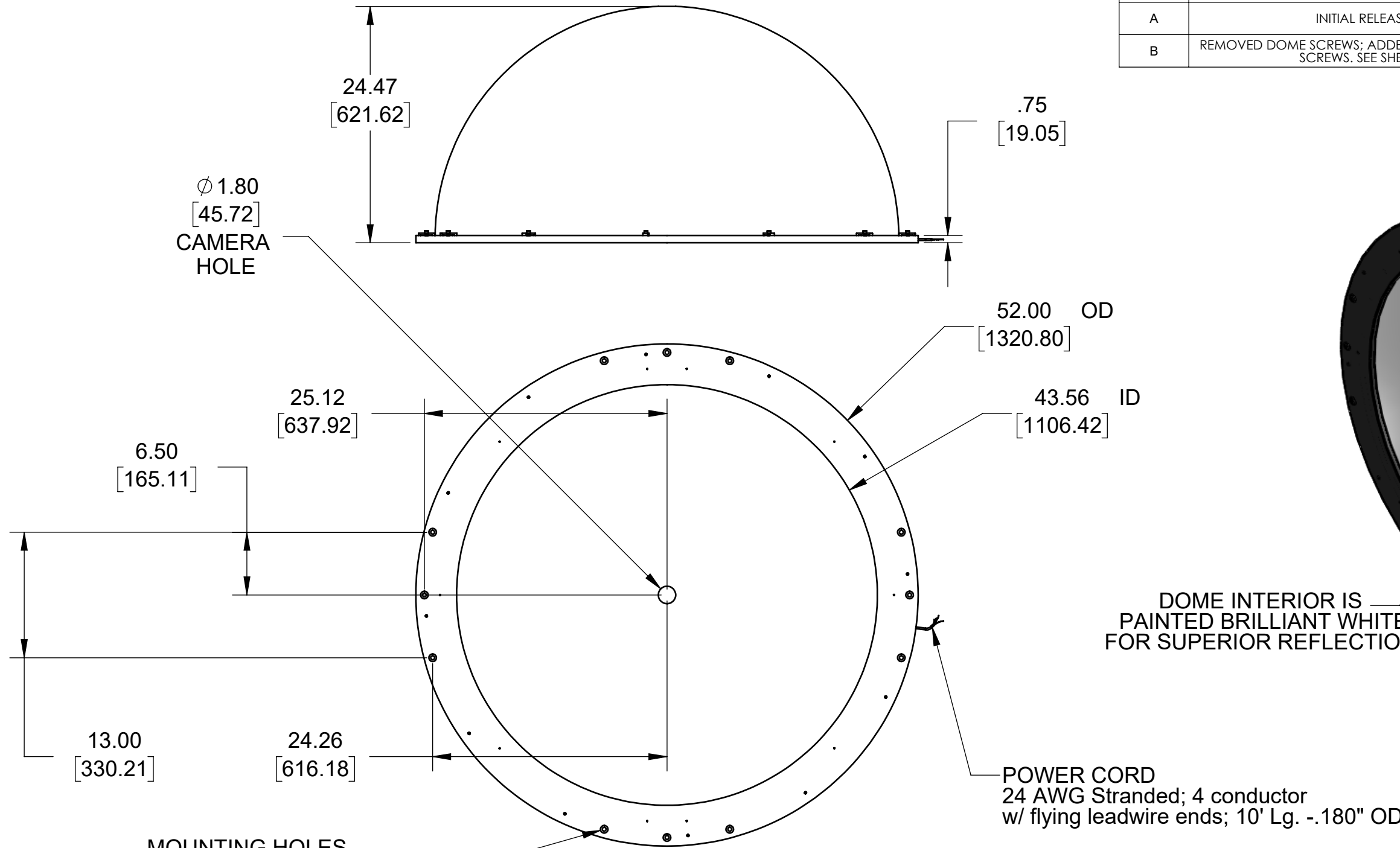


REVISIONS			
REV.	DESCRIPTION	DATE	APPROVED
A	INITIAL RELEASE	7/5/2015	
B	REMOVED DOME SCREWS; ADDED NEW CLAMP AND SCREWS. SEE SHEET 2	7/16/2015	



DOME INTERIOR IS PAINTED BRILLIANT WHITE FOR SUPERIOR REFLECTION.

POWER CORD
24 AWG Stranded; 4 conductor
w/ flying leadwire ends; 10' Lg. -.180" OD

MOUNTING HOLES
12X ϕ .40 [10.08] THRU ALL
 \checkmark ϕ .78 [19.84] X 82°

Metaphase Technologies, Inc. 211 Sinclair Road, Suite 100, Bristol, PA. 19007 215-639-8699 Fax 215-639-0977			
QUANTITY: Per order	TOLERANCE/FINISH UNLESS OTHERWISE SPECIFIED	THIS DOCUMENT IS THE PROPERTY OF METAPHASE TECHNOLOGIES, INC. WHOM MAY LOAN IT, SUBJECT TO RETURN UPON DEMAND. IT INCLUDES CONFIDENTIAL & PROPRIETARY INFORMATION WHICH MAY NOT BE DISCLOSED TO ANY THIRD PARTY, AND/ OR USED FOR ANY PURPOSE CONTRARY TO IT'S INTENDED USE, WITHOUT THE EXPRESSED PRIOR WRITTEN CONSENT OF METAPHASE TECHNOLOGIES, INC.	
MATERIAL: Aluminum, Acrylic	INCHES [MM]	TITLE Dome Light 44.00 Inch ID	
FINISH: BlackAnodize, Black Paint	X .X .XX .XXX	USED ON Per customer	
TREATMENT: N/A	±.76 ±.030 [±.25] ±.010 [±.13] ±.005	SIZE B	DRAWING NUMBER DL1206-1
	ANGLES ±1°	SCALE 1:12	REV B
		SHEET 1 OF 1	

SEE SHEET 2 FOR EXPLODED VIEW AND BOM.

Approval Signature _____

/ /
Date