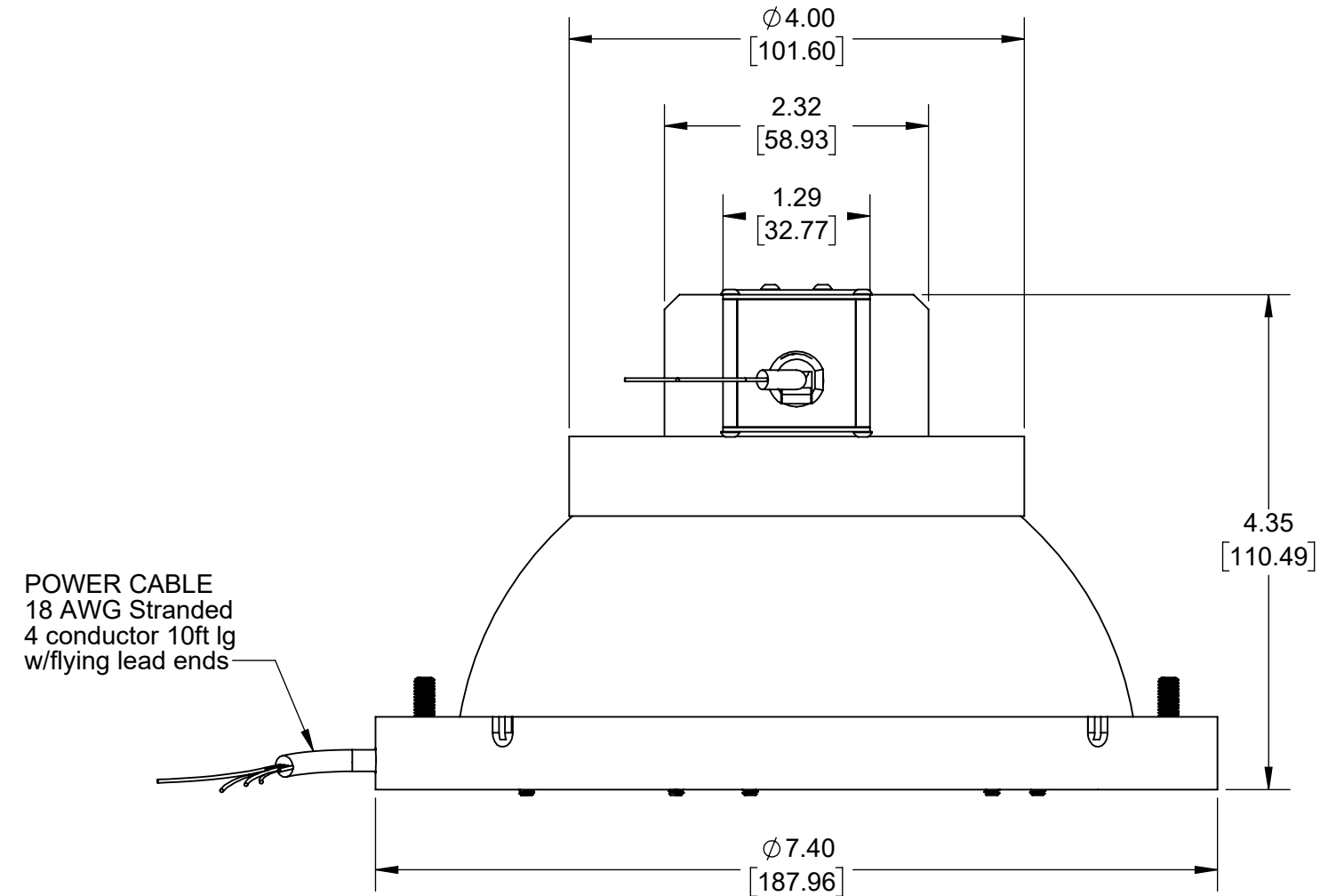
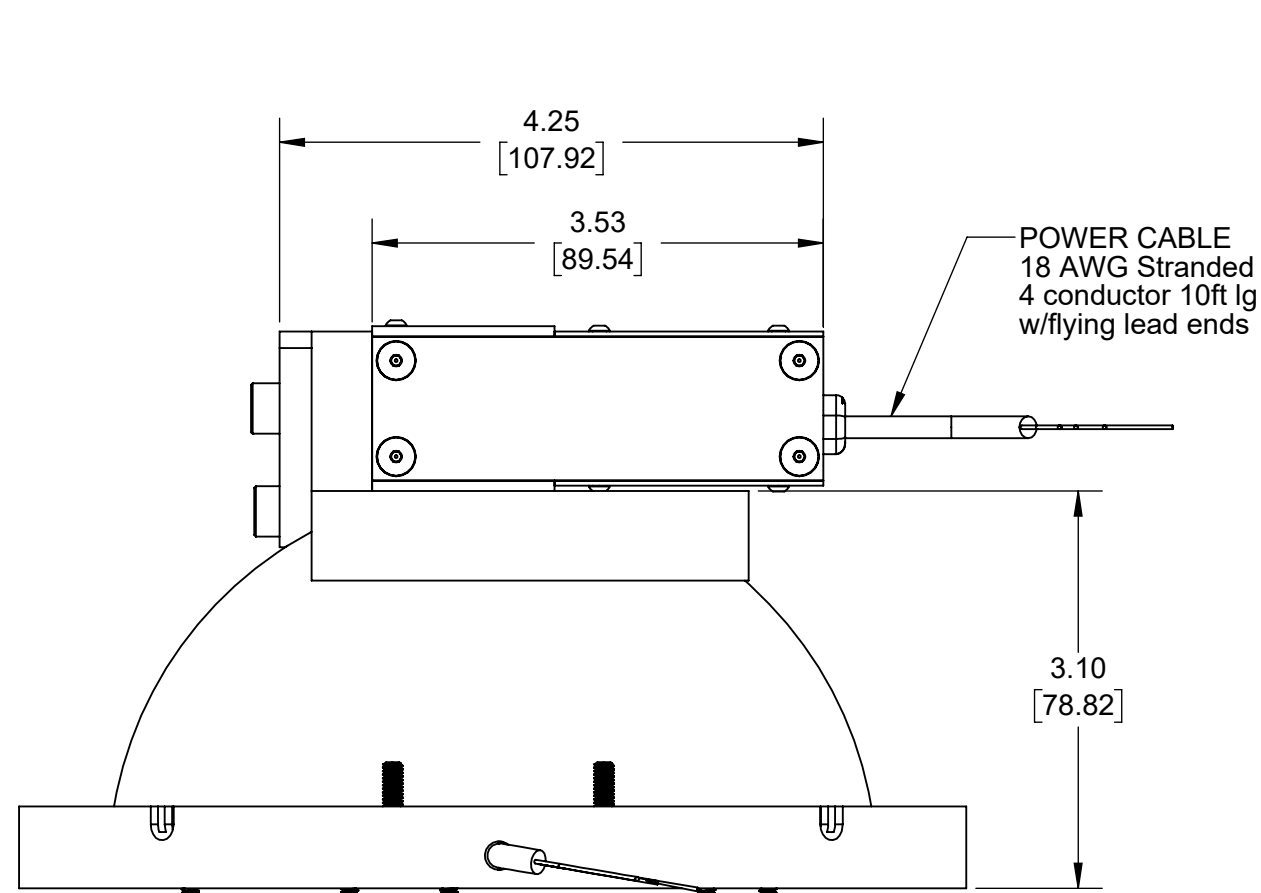


REVISIONS			
REV.	DESCRIPTION	DATE	APPROVED
A	INITIAL RELEASE	5/2/2016	



SEE SHEET 2 FOR MOUNTING
 SEE SHEET 3 FOR EXPLODED VIEW AND BILL OF MATERIAL
 SEE SHEET 4 FOR SECTIONAL VIEW

Metaphase Technologies, Inc. 211 Sinclair Road, Suite 100, Bristol, PA. 19007 215-639-8699 Fax 215-639-0977



QUANTITY: Per order

MATERIAL: See BOM

FINISH: As supplied

TREATMENT: N/A

TOLERANCE/FINISH UNLESS OTHERWISE SPECIFIED				
INCHES [MM]				125√RMS [RA3.2um]
X	.X	.XX	.XXX	
[±.76]	[±.030 [±.25]	[±.010 [±.13]	±.005	ANGLES ±1°

THIS DOCUMENT IS THE PROPERTY OF METAPHASE TECHNOLOGIES, INC. WHOM MAY LOAN IT, SUBJECT TO RETURN UPON DEMAND. IT INCLUDES CONFIDENTIAL & PROPRIETARY INFORMATION WHICH MAY NOT BE DISCLOSED TO ANY THIRD PARTY, AND/ OR USED FOR ANY PURPOSE CONTRARY TO IT'S INTENDED USE, WITHOUT THE EXPRESSED PRIOR WRITTEN CONSENT OF METAPHASE TECHNOLOGIES, INC.

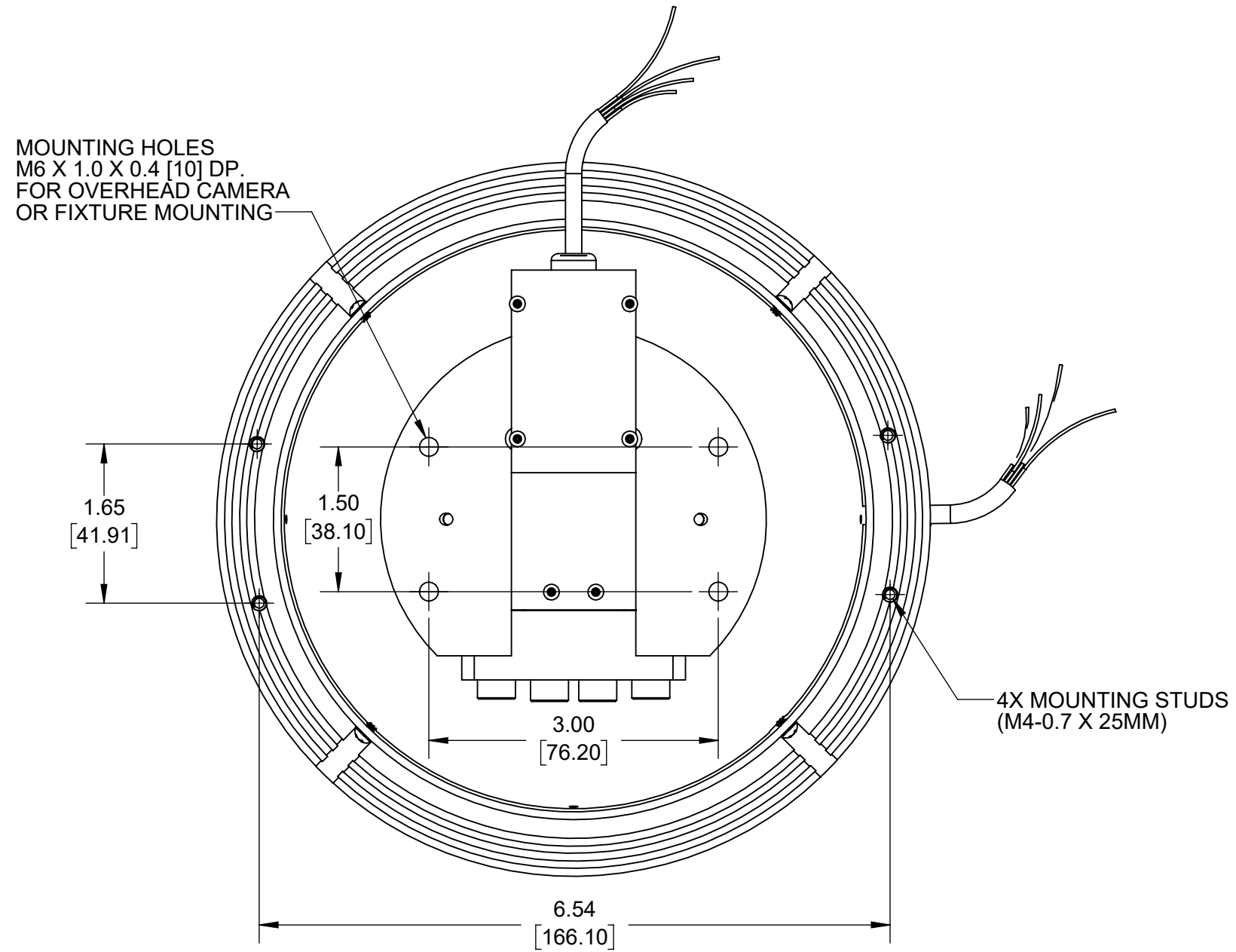
TITLE
Top Assy.; Combo

USED ON
Per customer

SIZE B	DRAWING NUMBER DL306 - DAL101-1	REV A
SCALE 1:4		SHEET 1 OF 3

Approval Signature

/ /
Date



Metaphase Technologies, Inc. 211 Sinclair Road, Suite 100,
Bristol, PA. 19007 215-639-8699 Fax 215-639-0977



TOLERANCE/FINISH
UNLESS OTHERWISE SPECIFIED

X	INCHES[MM]			125√RMS [RA3.2um]
	.X	.XX	.XXX	
[±.76]	±.030 [±.25]	±.010 [±.13]	±.005	ANGLES ±1°

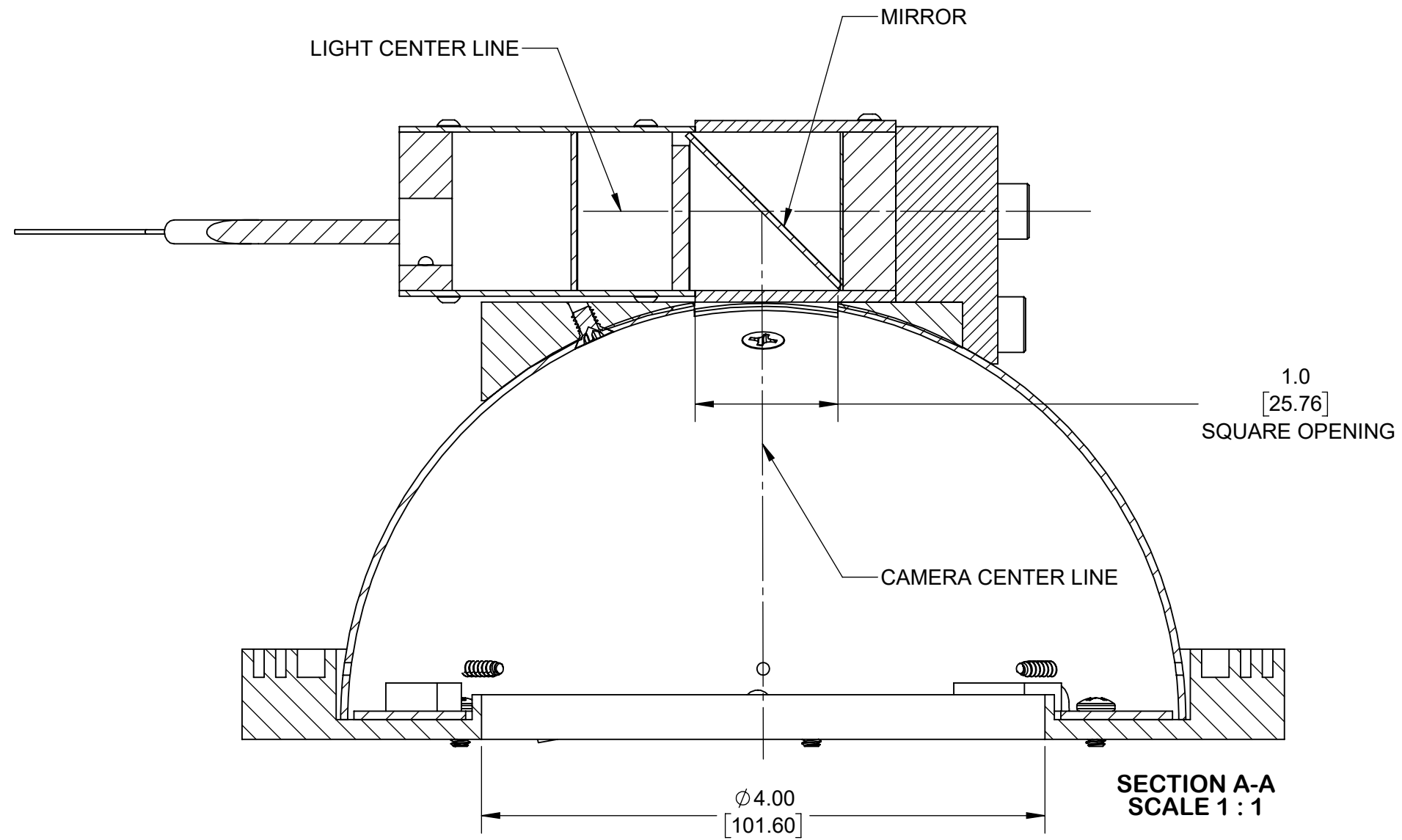
FLAT PATTERN K FACTOR 0.5 FOR DESIGN
REFERENCE ONLY. ACTUAL MAY VARY, USE
TEST PART TO VERIFY TOLERANCE ACCURACY

THIS DOCUMENT IS THE PROPERTY OF
METAPHASE TECHNOLOGIES, INC. WHOM MAY
LOAN IT, SUBJECT TO RETURN UPON DEMAND.
IT INCLUDES CONFIDENTIAL & PROPRIETARY
INFORMATION WHICH MAY NOT BE DISCLOSED
TO ANY THIRD PARTY, AND/ OR USED FOR
ANY PURPOSE CONTRARY TO IT'S INTENDED
USE, WITHOUT THE EXPRESSED PRIOR WRITTEN
CONSENT OF **METAPHASE TECHNOLOGIES, INC.**

TITLE
Top Assy.; Combo

USED ON
Per customer

SIZE B	DRAWING NUMBER DL306 - DAL101-1	REV A
SCALE 1:10		SHEET 2 OF 3



Metaphase Technologies, Inc. 211 Sinclair Road, Suite 100,
Bristol, PA. 19007 215-639-8699 Fax 215-639-0977



TOLERANCE/FINISH UNLESS OTHERWISE SPECIFIED				
	INCHES[MM]			125√RMS [RA3.2um]
X	.X	.XX	.XXX	
[±.76]	±.030 [±.25]	±.010 [±.13]	±.005	ANGLES ±1°
FLAT PATTERN K FACTOR 0.5 FOR DESIGN REFERENCE ONLY. ACTUAL MAY VARY, USE TEST PART TO VERIFY TOLERANCE ACCURACY				

THIS DOCUMENT IS THE PROPERTY OF
METAPHASE TECHNOLOGIES, INC. WHOM MAY
LOAN IT, SUBJECT TO RETURN UPON DEMAND.
IT INCLUDES CONFIDENTIAL & PROPRIETARY
INFORMATION WHICH MAY NOT BE DISCLOSED
TO ANY THIRD PARTY, AND/ OR USED FOR
ANY PURPOSE CONTRARY TO IT'S INTENDED
USE, WITHOUT THE EXPRESSED PRIOR WRITTEN
CONSENT OF **METAPHASE TECHNOLOGIES, INC.**

TITLE
Top Assy.; Combo

USED ON
Per customer

SIZE B	DRAWING NUMBER DL306 - DAL101-1	REV A
SCALE 1:4		SHEET 3 OF 3