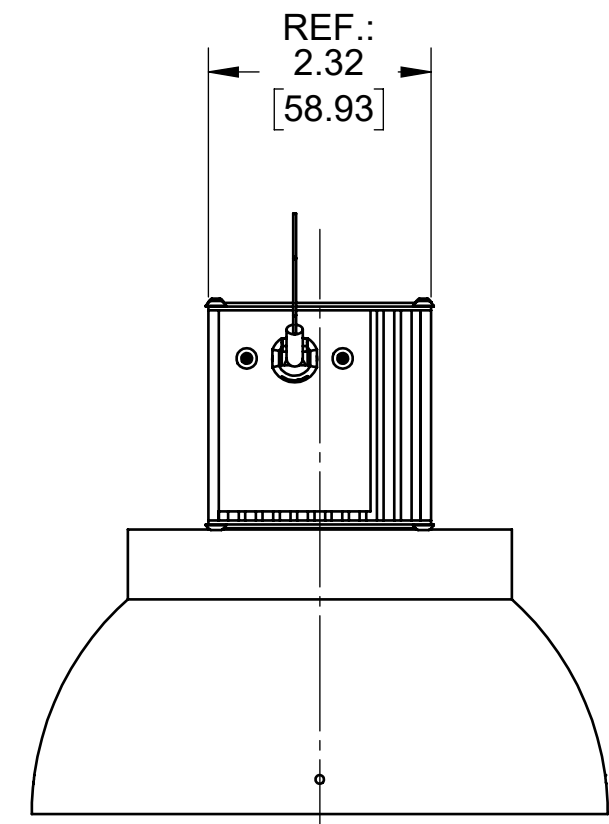
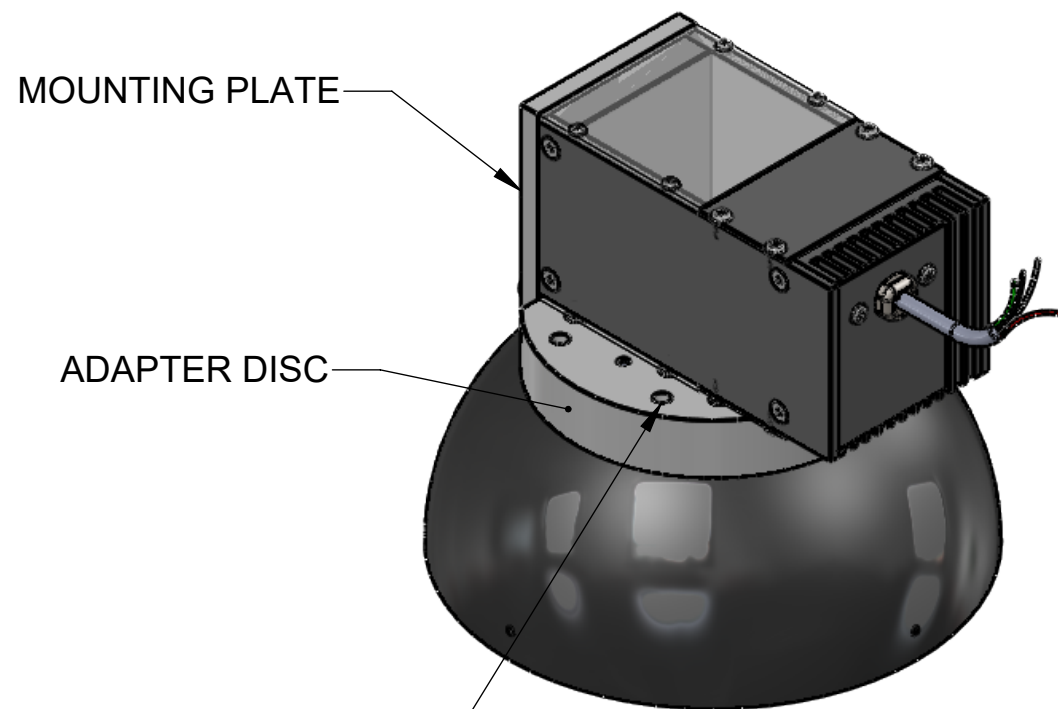
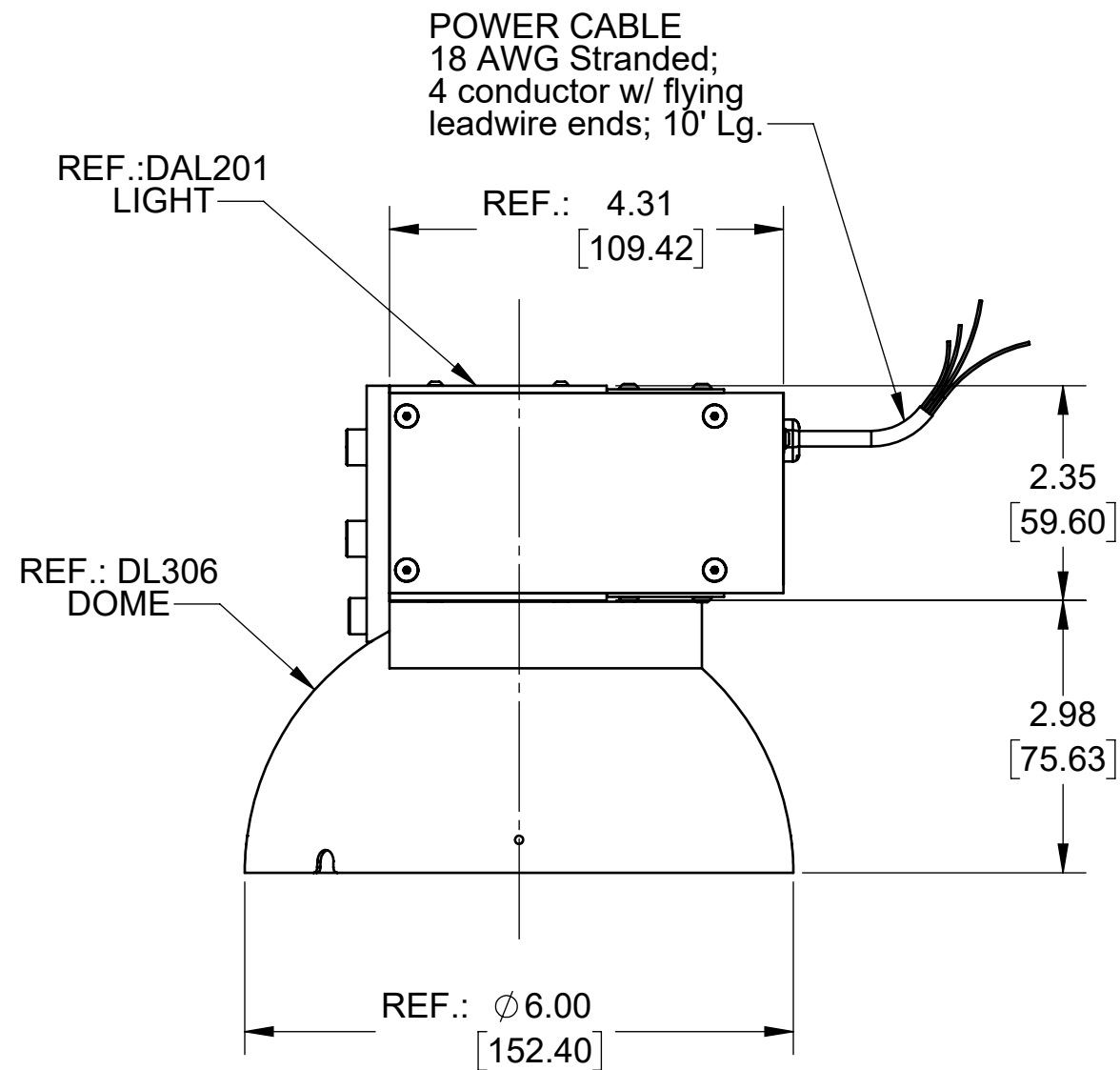


REVISIONS			
REV.	DESCRIPTION	DATE	APPROVED
A	INITIAL RELEASE	2/23/2015	
B	CHANGED CENTER HOLE TO SQUARE SHAPE	3/24/2015	



SEE SHEET 2 FOR TOP VIEW AND MOUNTING HOLE DETAILS.

Metaphase Technologies, Inc. 211 Sinclair Road, Suite 100, Bristol, PA. 19007 215-639-8699 Fax 215-639-0977



QUANTITY: Per order

MATERIAL: See BOM

FINISH: As supplied

TREATMENT: N/A

TOLERANCE/FINISH UNLESS OTHERWISE SPECIFIED				
	INCHES[MM]			125√RMS [RA3.2um]
X	.X	.XX	.XXX	
[±.76]	±.030 [±.25]	±.010 [±.13]	±.005	ANGLES±1°

THIS DOCUMENT IS THE PROPERTY OF **METAPHASE TECHNOLOGIES, INC.** WHOM MAY LOAN IT, SUBJECT TO RETURN UPON DEMAND. IT INCLUDES CONFIDENTIAL & PROPRIETARY INFORMATION WHICH MAY NOT BE DISCLOSED TO ANY THIRD PARTY, AND/ OR USED FOR ANY PURPOSE CONTRARY TO IT'S INTENDED USE, WITHOUT THE EXPRESSED PRIOR WRITTEN CONSENT OF **METAPHASE TECHNOLOGIES, INC.**

TITLE
Top Assy.; Combo

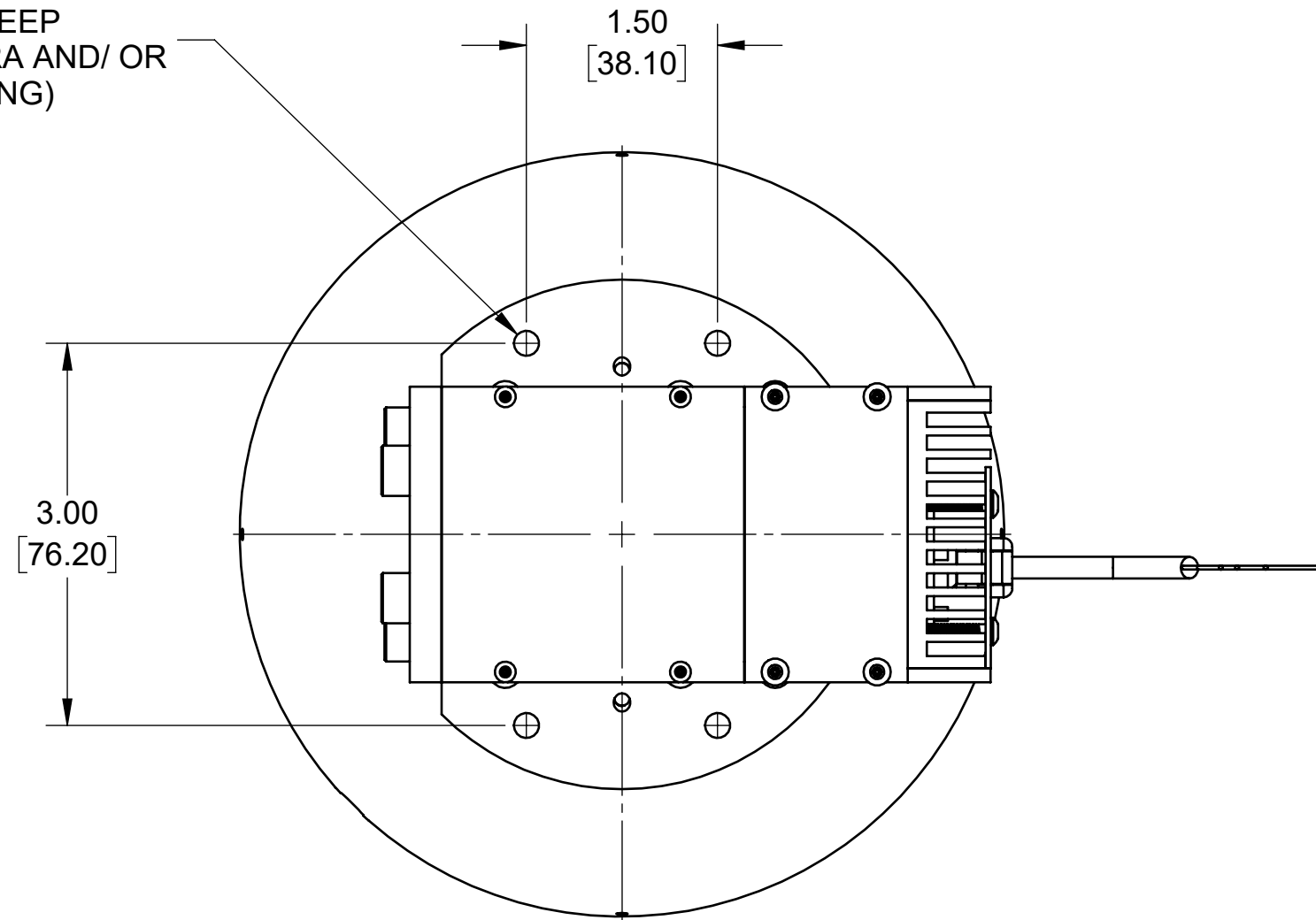
USED ON
Per customer

SIZE B	DRAWING NUMBER DL306 - DAL201-1	REV B
SCALE 1:8		SHEET 1 OF 3

Approval Signature

/ /
Date

MOUNTING HOLES
M6X1.0 X .4 [10] DEEP
(FOR OVERHEAD CAMERA AND/ OR
FIXTURE MOUNTING)

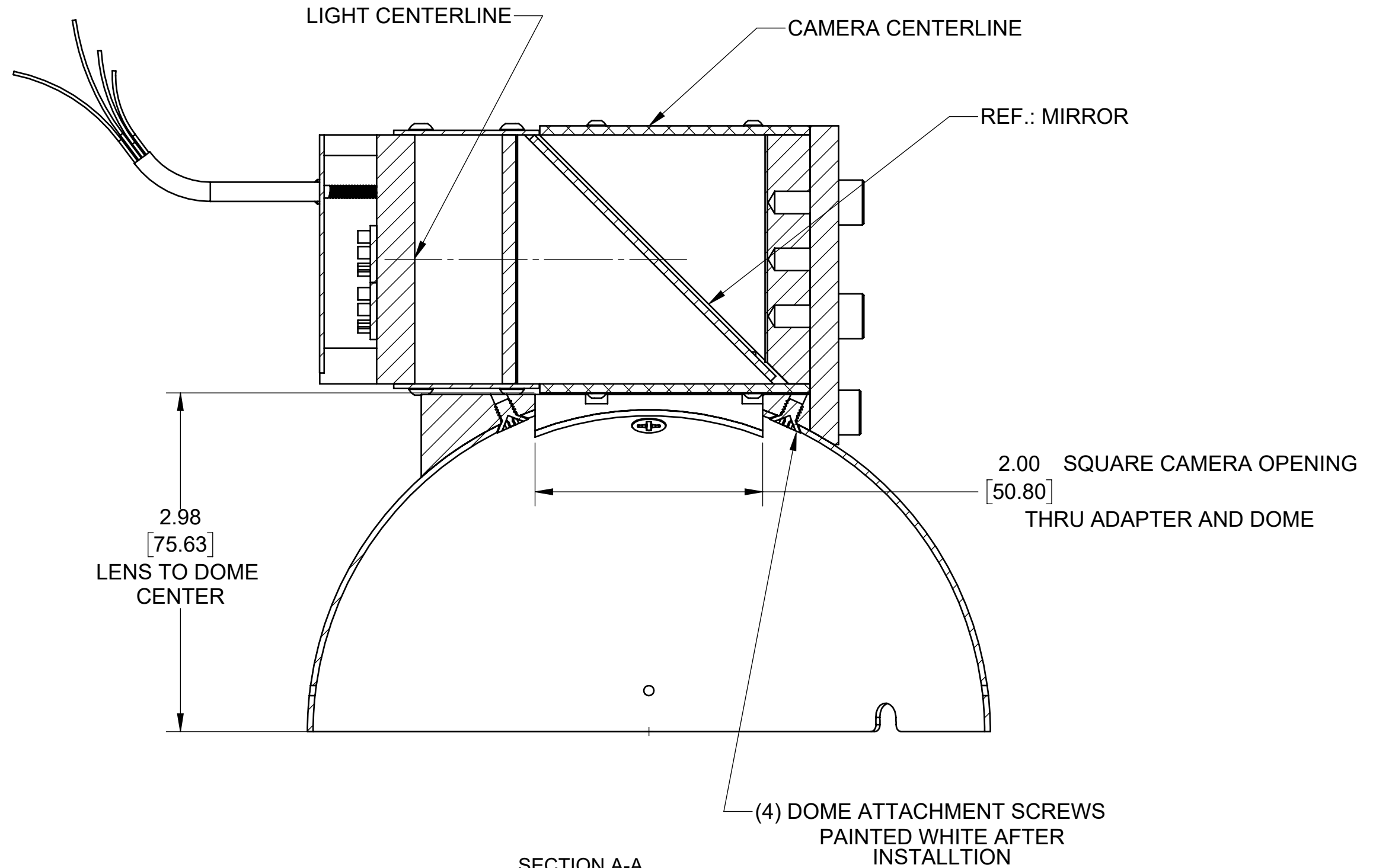


TOLERANCE/FINISH UNLESS OTHERWISE SPECIFIED				
	INCHES[MM]			125√RMS [RA3.2um]
X	.X	.XX	.XXX	
[±.76]	±.030 [±.25]	±.010 [±.13]	±.005	ANGLES±1°

THIS DOCUMENT IS THE PROPERTY OF
METAPHASE TECHNOLOGIES, INC. WHOM MAY
LOAN IT, SUBJECT TO RETURN UPON DEMAND.
IT INCLUDES CONFIDENTIAL & PROPRIETARY
INFORMATION WHICH MAY NOT BE DISCLOSED
TO ANY THIRD PARTY, AND/ OR USED FOR
ANY PURPOSE CONTRARY TO IT'S INTENDED
USE, WITHOUT THE EXPRESSED PRIOR WRITTEN
CONSENT OF **METAPHASE TECHNOLOGIES, INC.**



TITLE Top Assy.; Combo		
USED ON Per customer		
SIZE B	DRAWING NUMBER DL306 - DAL201-1	REV B
SCALE 1:8		SHEET 2 OF 3



SECTION A-A
SCALE 1 : 1

TOLERANCE/FINISH UNLESS OTHERWISE SPECIFIED				
	INCHES[MM]			125√RMS [RA3.2um]
X	.X	.XX	.XXX	ANGLES±1°
[±.76]	±.030 [±.25]	±.010 [±.13]	±.005	

THIS DOCUMENT IS THE PROPERTY OF **METAPHASE TECHNOLOGIES, INC.** WHOM MAY LOAN IT, SUBJECT TO RETURN UPON DEMAND. IT INCLUDES CONFIDENTIAL & PROPRIETARY INFORMATION WHICH MAY NOT BE DISCLOSED TO ANY THIRD PARTY, AND/ OR USED FOR ANY PURPOSE CONTRARY TO IT'S INTENDED USE, WITHOUT THE EXPRESSED PRIOR WRITTEN CONSENT OF **METAPHASE TECHNOLOGIES, INC.**



TITLE Top Assy.; Combo		
USED ON Per customer		
SIZE B	DRAWING NUMBER DL306 - DAL201-1	REV B
SCALE 1:8		SHEET 3 OF 3