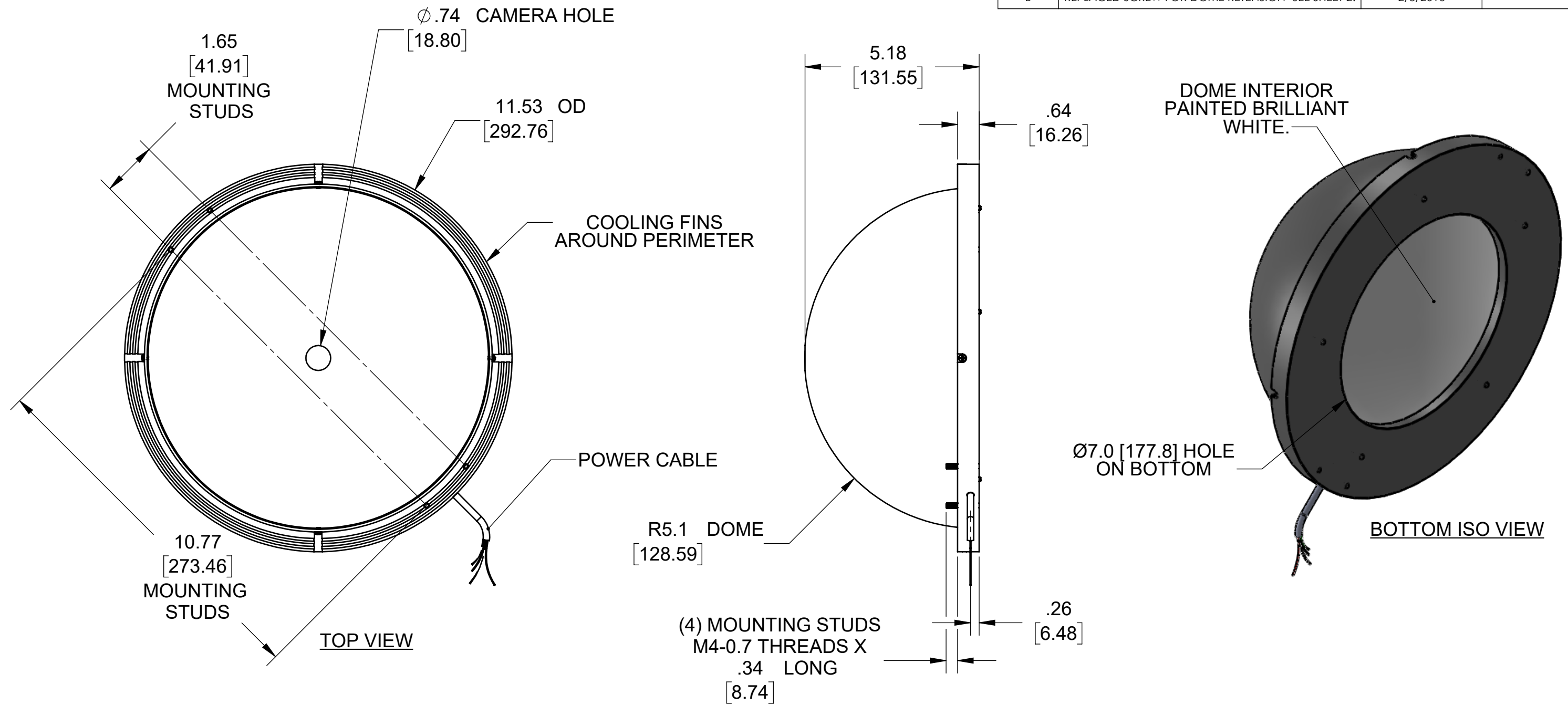


REVISIONS			
REV.	DESCRIPTION	DATE	APPROVED
A	INITIAL RELEASE	2/27/2013	
B	REPLACED SCREW FOR DOME RETENSION- SEE SHEET 2.	2/3/2016	



Metaphase Technologies, Inc. 211 Sinclair Road, Suite 100, Bristol, PA. 19007 215-639-8699 Fax 215-639-0977



SEE SHEET 2 FOR EXPLODED VIEW AND BOM.

QUANTITY: Per order

MATERIAL: Aluminum, Stainless Stl.

FINISH: Black Anodize and Oxide

TREATMENT: N/A

TOLERANCE/FINISH UNLESS OTHERWISE SPECIFIED

INCHES [MM]				125√RMS [RA3.2um]
X	.X	.XX	.XXX	ANGLES ±1°
[±.76]	[±.030 [±.25]	[±.010 [±.13]	±.005	

THIS DOCUMENT IS THE PROPERTY OF METAPHASE TECHNOLOGIES, INC. WHOM MAY LOAN IT, SUBJECT TO RETURN UPON DEMAND. IT INCLUDES CONFIDENTIAL & PROPRIETARY INFORMATION WHICH MAY NOT BE DISCLOSED TO ANY THIRD PARTY, AND/ OR USED FOR ANY PURPOSE CONTRARY TO IT'S INTENDED USE, WITHOUT THE EXPRESSED PRIOR WRITTEN CONSENT OF METAPHASE TECHNOLOGIES, INC.

TITLE Dome Light- 7" [177.8] ID

USED ON Per customer

SIZE B	DRAWING NUMBER DL406-1	REV B
SCALE 1:4		SHEET 1 OF 1

Approval Signature

/ /
Date