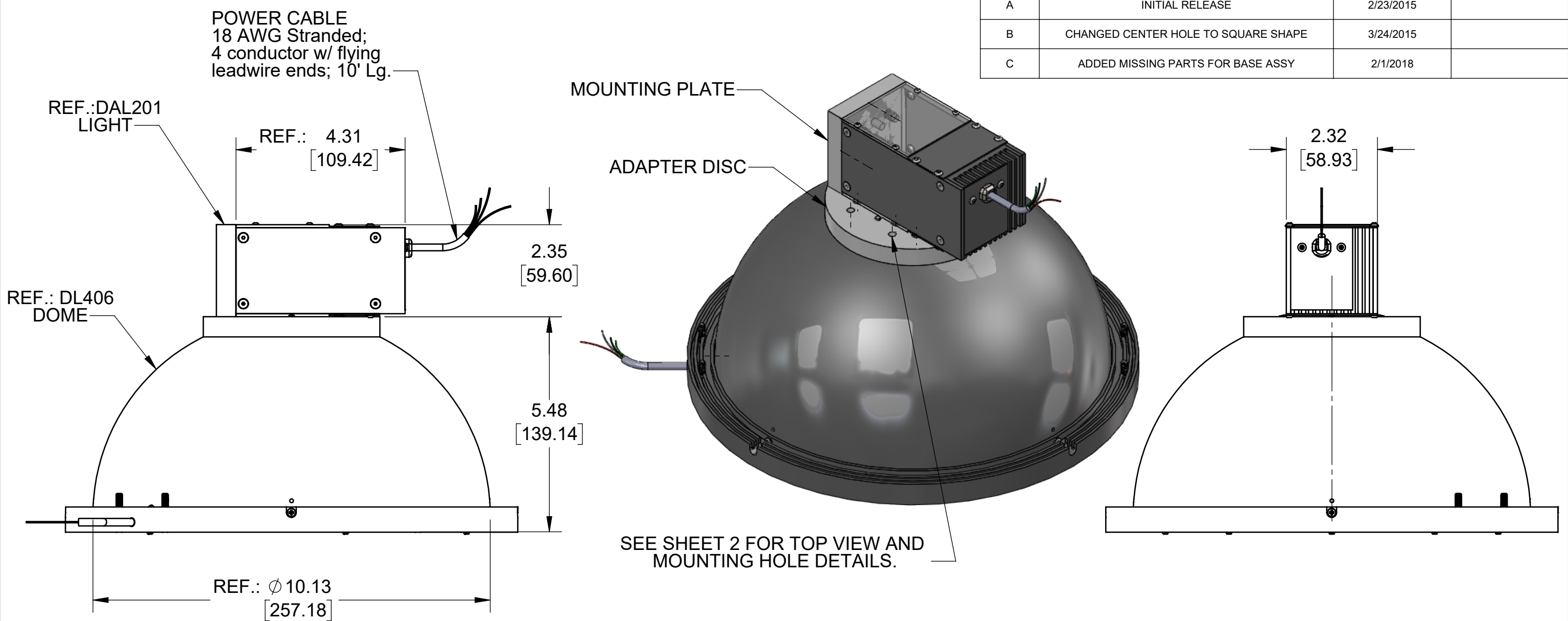
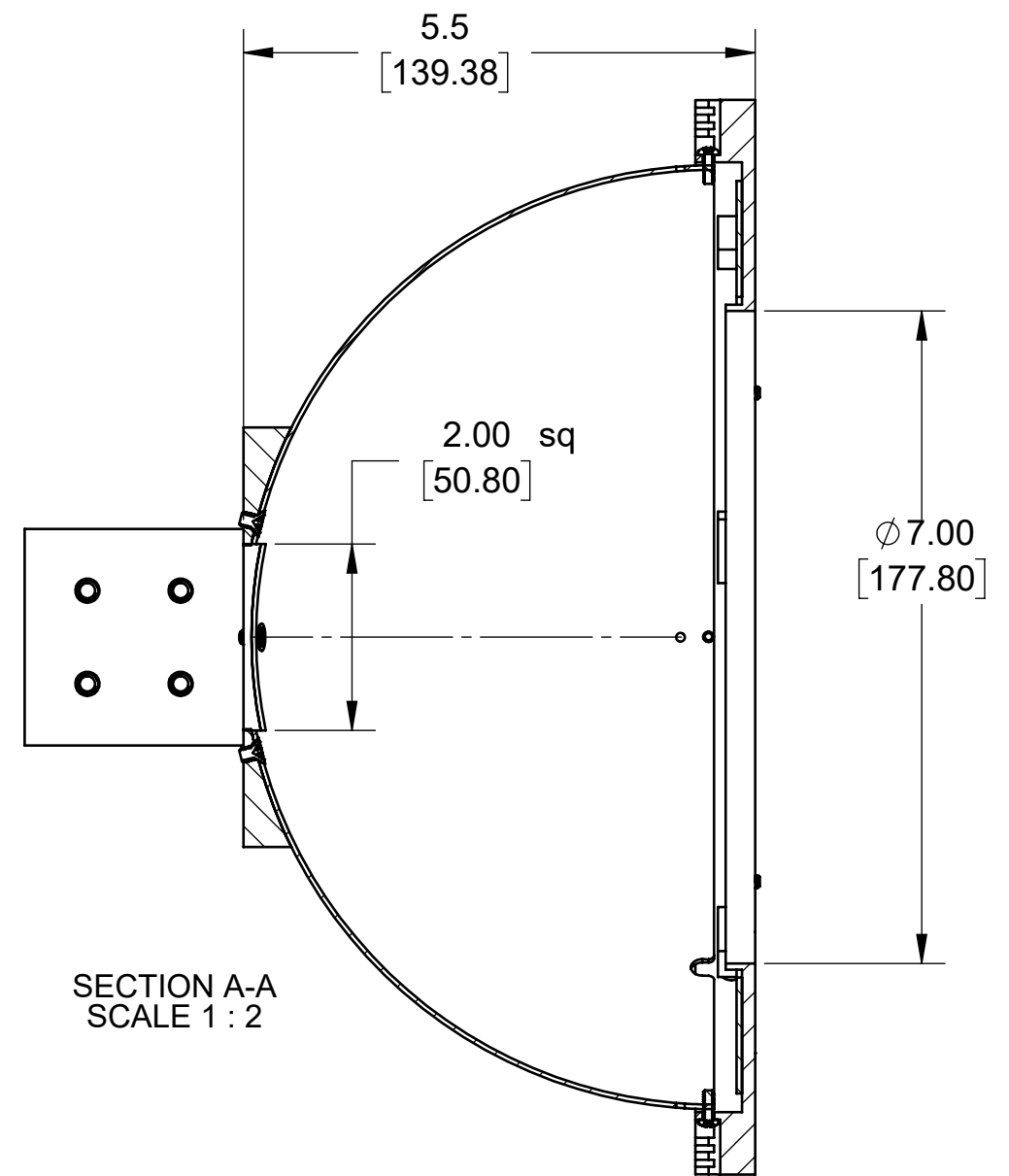
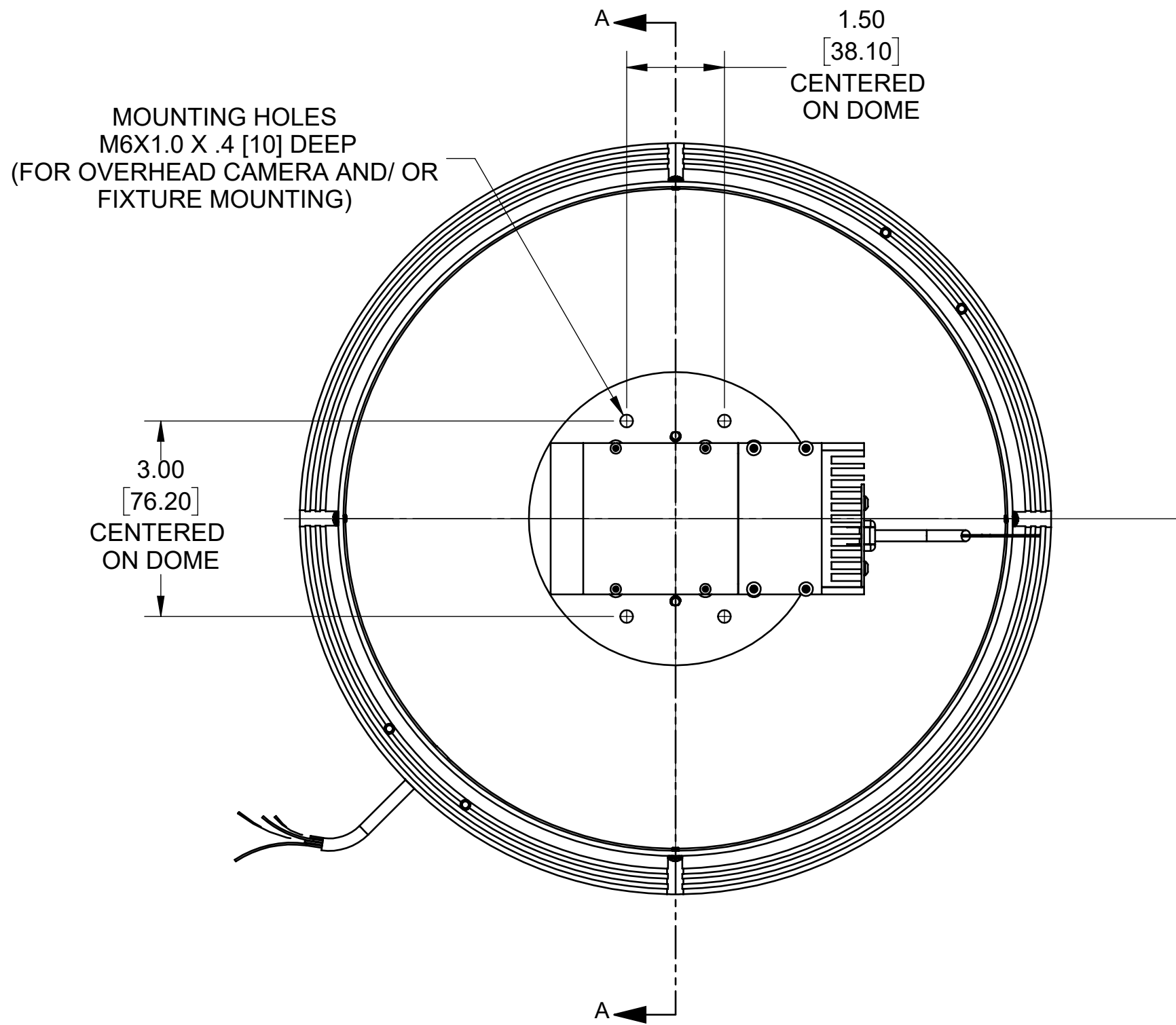


| REVISIONS | | | |
|-----------|-------------------------------------|-----------|----------|
| REV. | DESCRIPTION | DATE | APPROVED |
| A | INITIAL RELEASE | 2/23/2015 | |
| B | CHANGED CENTER HOLE TO SQUARE SHAPE | 3/24/2015 | |
| C | ADDED MISSING PARTS FOR BASE ASSY | 2/1/2018 | |



| | | | | |
|---|--|--|------------------------------------|--|
| Metaphase Technologies, Inc. 211 Sinclair Road, Suite 100, Bristol, PA. 19007 215-639-8699 Fax 215-639-0977 | | | | |
| QUANTITY: Per order | TOLERANCE/FINISH UNLESS OTHERWISE SPECIFIED | THIS DOCUMENT IS THE PROPERTY OF METAPHASE TECHNOLOGIES, INC. WHOM MAY LOAN IT, SUBJECT TO RETURN UPON DEMAND. IT INCLUDES CONFIDENTIAL & PROPRIETARY INFORMATION WHICH MAY NOT BE DISCLOSED TO ANY THIRD PARTY, AND/ OR USED FOR ANY PURPOSE CONTRARY TO IT'S INTENDED USE, WITHOUT THE EXPRESSED PRIOR WRITTEN CONSENT OF METAPHASE TECHNOLOGIES, INC. | | |
| MATERIAL: See BOM | | | | |
| FINISH: As supplied | TITLE Top Assy.; Combo | | | |
| TREATMENT: N/A | USED ON Per customer | | | |
| Approval Signature | / / Date | SIZE B | DRAWING NUMBER DL406 - DAL201-1 | |
| | | SCALE 1:8 | REV C SHEET 1 OF 2 | |



SECTION A-A
SCALE 1 : 2

Metaphase Technologies, Inc. 211 Sinclair Road, Suite 100,
Bristol, PA. 19007 215-639-8699 Fax 215-639-0977



| TOLERANCE/FINISH UNLESS OTHERWISE SPECIFIED | | | | |
|---|--------------|--------------|-------|-------------------|
| | INCHES[MM] | | | 125√RMS [RA3.2um] |
| X | .X | .XX | .XXX | |
| [±.76] | ±.030 [±.25] | ±.010 [±.13] | ±.005 | ANGLES ±1° |

FLAT PATTERNS USE 0.5 K FACTOR FOR DESIGN REFERENCE ONLY. ACTUAL VALUE MAY VARY, USE TEST PART AS REQ'D TO VERIFY ACCURACY

THIS DOCUMENT IS THE PROPERTY OF METAPHASE TECHNOLOGIES, INC. WHOM MAY LOAN IT, SUBJECT TO RETURN UPON DEMAND. IT INCLUDES CONFIDENTIAL & PROPRIETARY INFORMATION WHICH MAY NOT BE DISCLOSED TO ANY THIRD PARTY, AND/ OR USED FOR ANY PURPOSE CONTRARY TO IT'S INTENDED USE, WITHOUT THE EXPRESSED PRIOR WRITTEN CONSENT OF METAPHASE TECHNOLOGIES, INC.

| | | |
|----------------------------------|---|-----------------|
| TITLE Top Assy.; Combo | | |
| USED ON Per customer | | |
| SIZE B | DRAWING NUMBER DL406 - DAL201-1 | REV C |
| SCALE 1:8 | SHEET 2 OF 2 | |