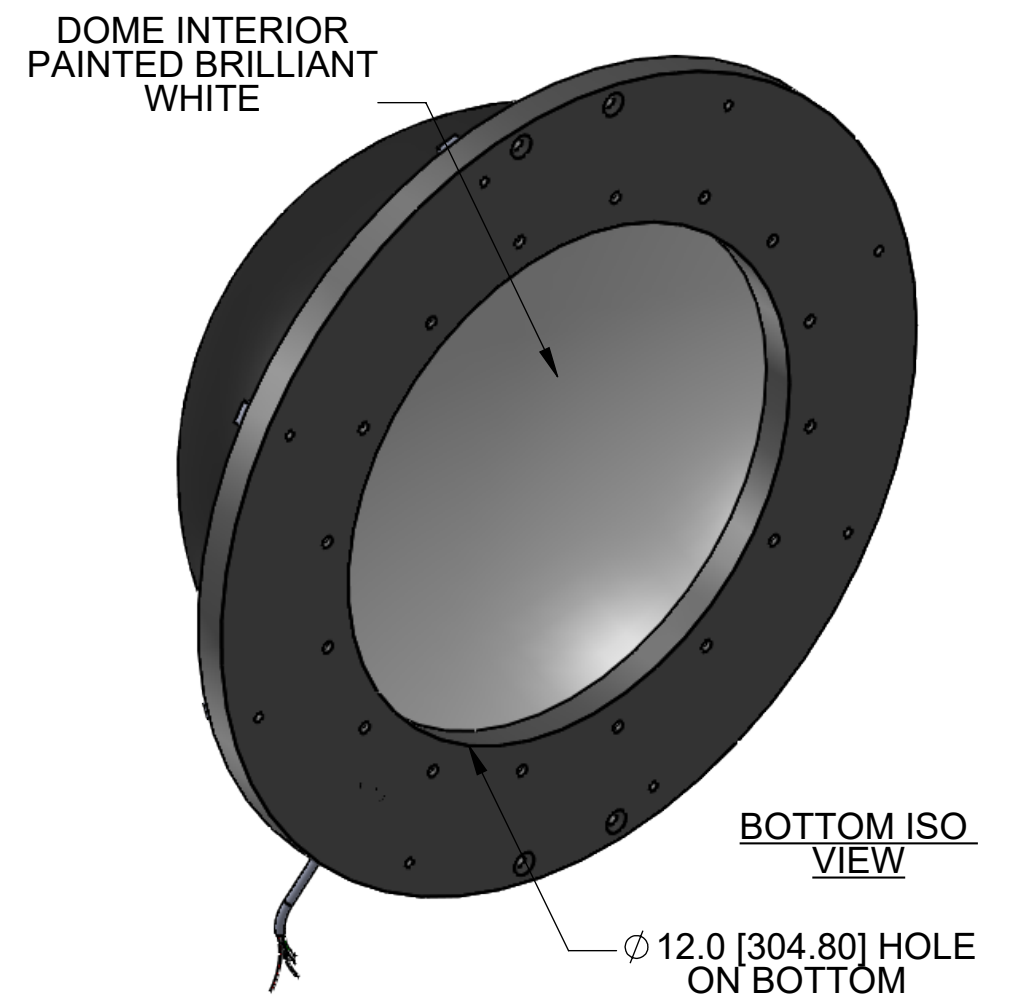


REVISIONS			
REV.	DESCRIPTION	DATE	APPROVED
A	INITIAL RELEASE	7/12/2012	
B	REDESIGN	7/17/2014	
C	DESIGN UPDATE	12/19/2014	
D	REMOVED DOME SCREWS; ADDED NEW CLAMP AND SCREWS. SEE SHEET 2	8/29/2015	
E	ADDED CLIP FOR POWER CABLE, MODIFIED BASE PLATE- SEE SHEET 2. ADDED SHEET 3.	4/11/2016	



SEE SHEET 2 FOR EXPLODED VIEW AND BOM		Metaphase Technologies, Inc. 211 Sinclair Road, Suite 100, Bristol, PA. 19007 215-639-8699 Fax 215-639-0977															
		QUANTITY: Per order MATERIAL: Per BOM FINISH: Black Paint/ Powder Coat TREATMENT: N/A	TOLERANCE/FINISH UNLESS OTHERWISE SPECIFIED INCHES [MM]		THIS DOCUMENT IS THE PROPERTY OF METAPHASE TECHNOLOGIES, INC. WHOM MAY LOAN IT, SUBJECT TO RETURN UPON DEMAND. IT INCLUDES CONFIDENTIAL & PROPRIETARY INFORMATION WHICH MAY NOT BE DISCLOSED TO ANY THIRD PARTY, AND/ OR USED FOR ANY PURPOSE CONTRARY TO IT'S INTENDED USE, WITHOUT THE EXPRESSED PRIOR WRITTEN CONSENT OF METAPHASE TECHNOLOGIES, INC.		TITLE Dome Light- 12"										
Approval Signature	/ / Date	<table border="1"> <tr> <th>X</th> <th>.X</th> <th>.XX</th> <th>.XXX</th> <th>125√RMS [RA3.2um]</th> </tr> <tr> <td>[±.76]</td> <td>±.030 [±.25]</td> <td>±.010 [±.13]</td> <td>±.005</td> <td>ANGLES ±1°</td> </tr> </table>		X		.X	.XX	.XXX	125√RMS [RA3.2um]	[±.76]	±.030 [±.25]	±.010 [±.13]	±.005	ANGLES ±1°	USED ON Per customer	SIZE B	DRAWING NUMBER DL606-1
		X	.X	.XX	.XXX	125√RMS [RA3.2um]											
[±.76]	±.030 [±.25]	±.010 [±.13]	±.005	ANGLES ±1°													
				SCALE 1:5		SHEET 1 OF 1											