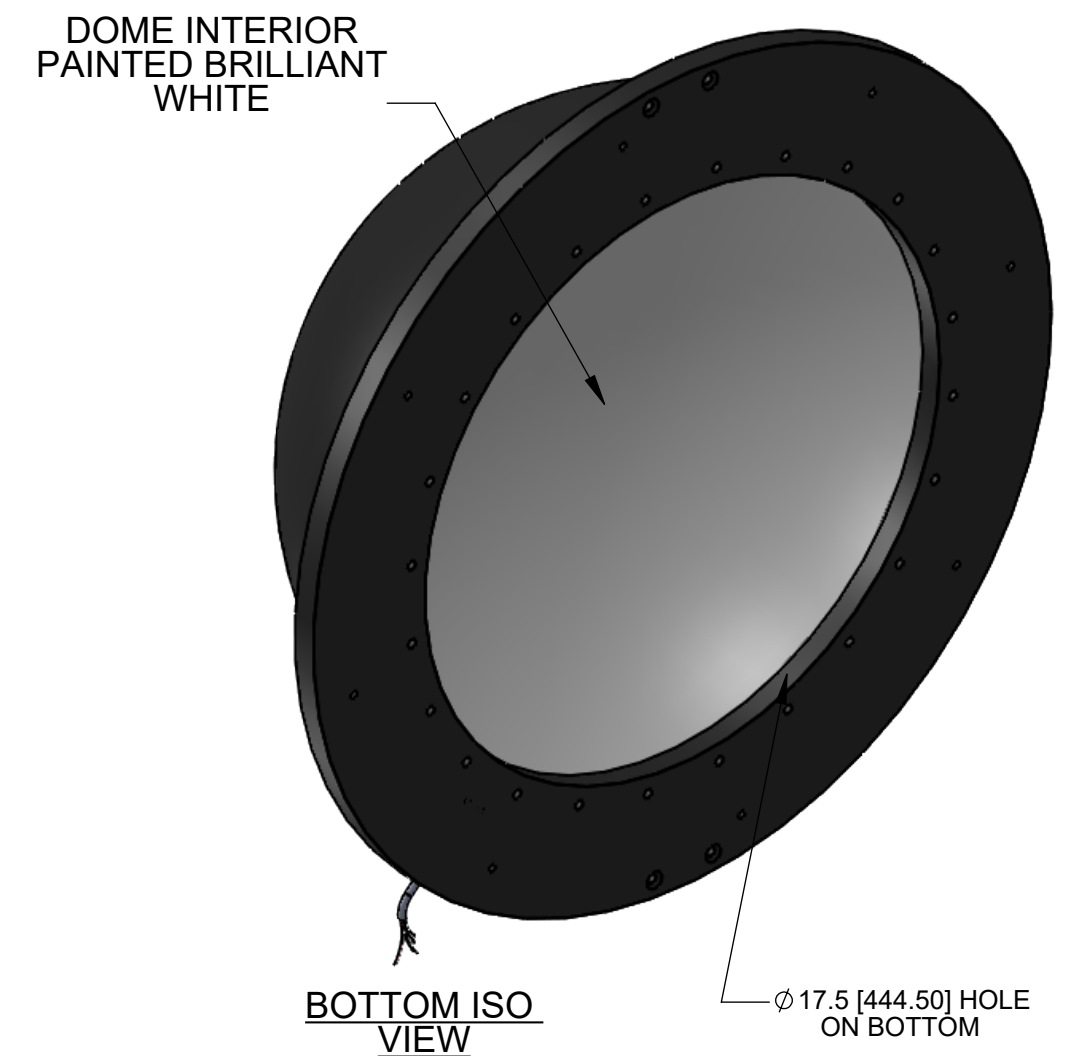
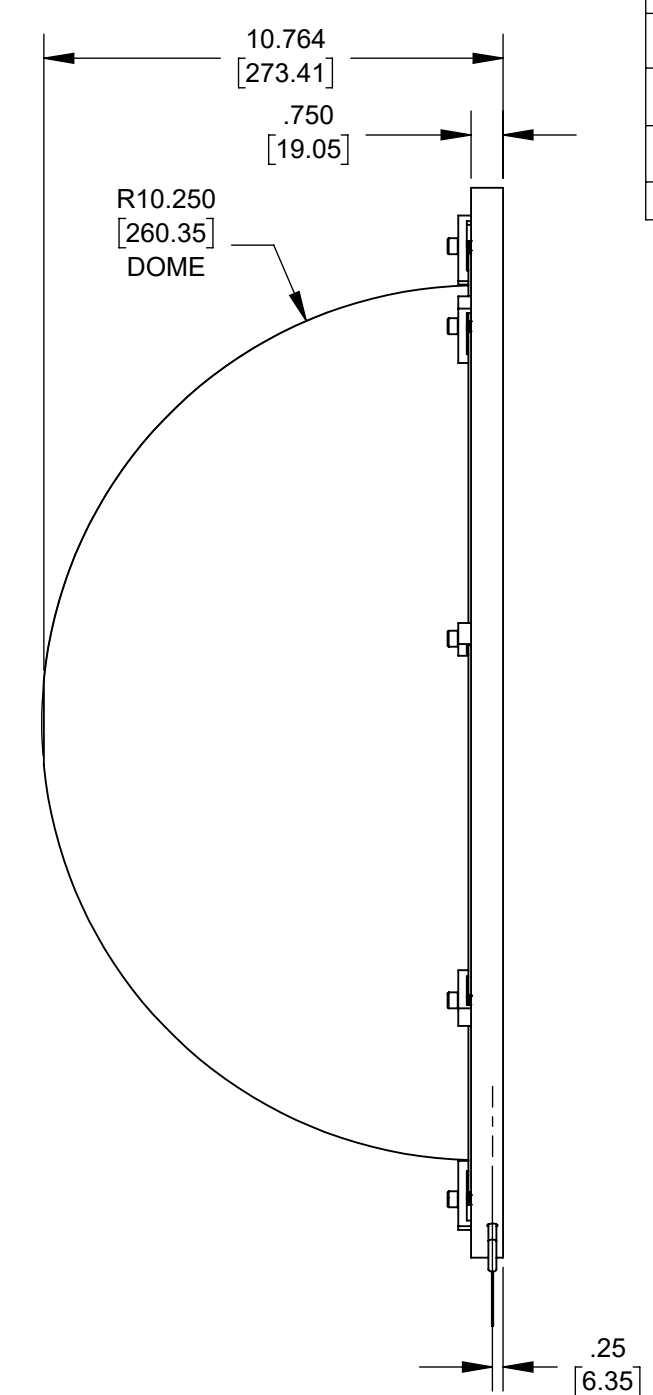
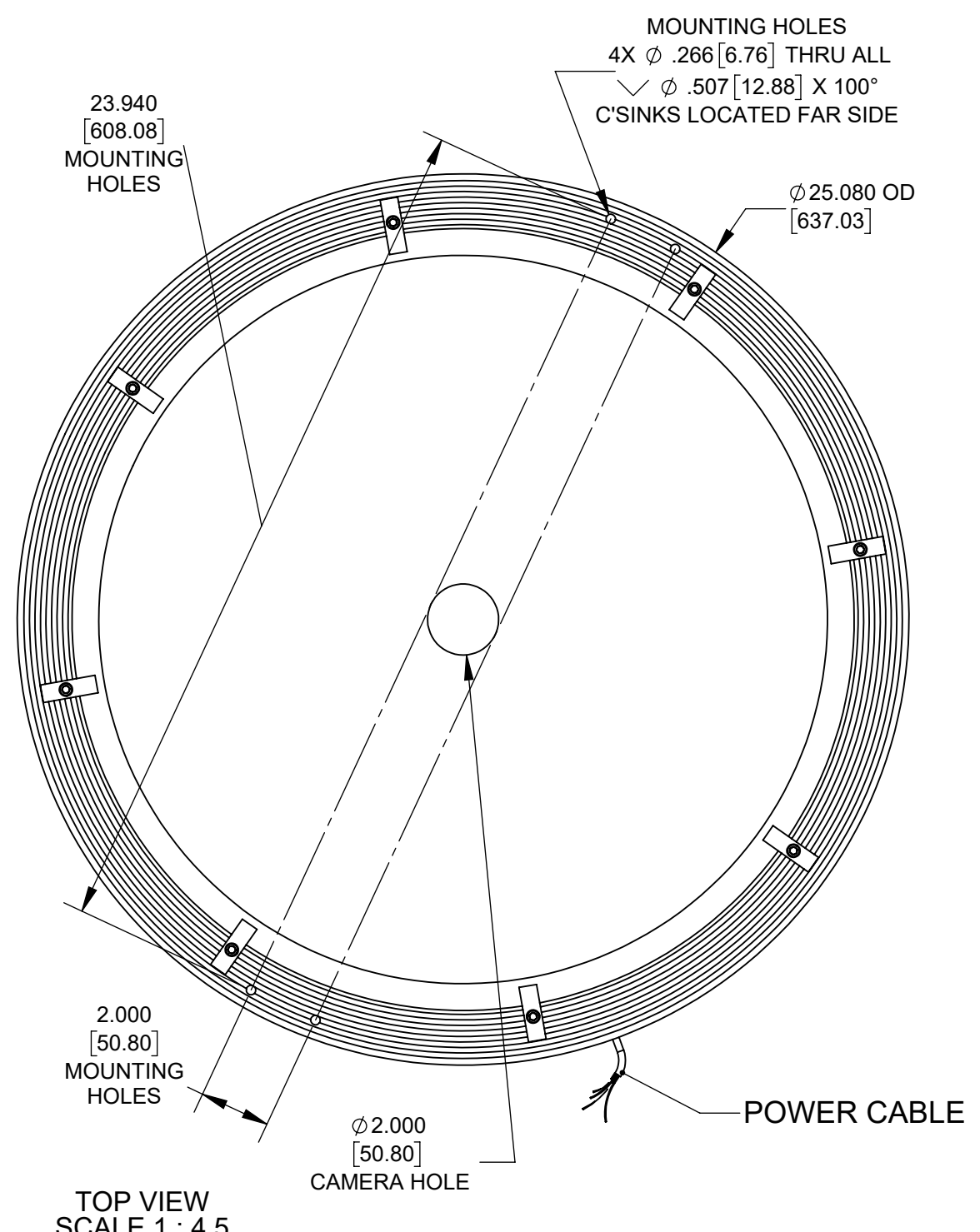


REVISIONS			
REV.	DESCRIPTION	DATE	APPROVED
A	INITIAL RELEASE	8/29/2015	
B	REMOVED DOME SCREWS; ADDED NEW CLAMP AND SCREWS. SEE SHEET 2	8/29/2015	
C	ADDED (24) M3X05 SCREWS; CHANGED (12) PCB MOUNT WEDGE. SEE SHEET 2	11/3/2015	
D	ADDED RETAINING CLIP FOR POWER WIRE AND UPDATED DRAWINGS	5/28/2016	
E	TYPO ON BOTTOM HOLE DIAMETER	7/21/2016	



Metaphase Technologies, Inc. 211 Sinclair Road, Suite 100, Bristol, PA. 19007 215-639-8699 Fax 215-639-0977

QUANTITY:	Per order
MATERIAL:	Aluminum, Acrylic
FINISH:	BlackAnodize, Black Paint
TREATMENT:	N/A

TOLERANCE/FINISH UNLESS OTHERWISE SPECIFIED				
INCHES [MM]				
X	.X	.XX	.XXX	125√RMS [RA3.2um]
[±.76]	±.030 [±.25]	±.010 [±.13]	±.005	ANGLES ±1°

THIS DOCUMENT IS THE PROPERTY OF METAPHASE TECHNOLOGIES, INC. WHOM MAY LOAN IT, SUBJECT TO RETURN UPON DEMAND. IT INCLUDES CONFIDENTIAL & PROPRIETARY INFORMATION WHICH MAY NOT BE DISCLOSED TO ANY THIRD PARTY, AND/ OR USED FOR ANY PURPOSE CONTRARY TO IT'S INTENDED USE, WITHOUT THE EXPRESSED PRIOR WRITTEN CONSENT OF METAPHASE TECHNOLOGIES, INC.



TITLE	Dome Light 17.50 Inch ID		
USED ON	Per customer		
SIZE	DRAWING NUMBER	REV	
B	DL706-1	E	
SCALE 1:5		SHEET 1 OF 1	

SEE SHEET 2 FOR EXPLODED VIEW AND BOM

Approval Signature _____ Date ____/____/____