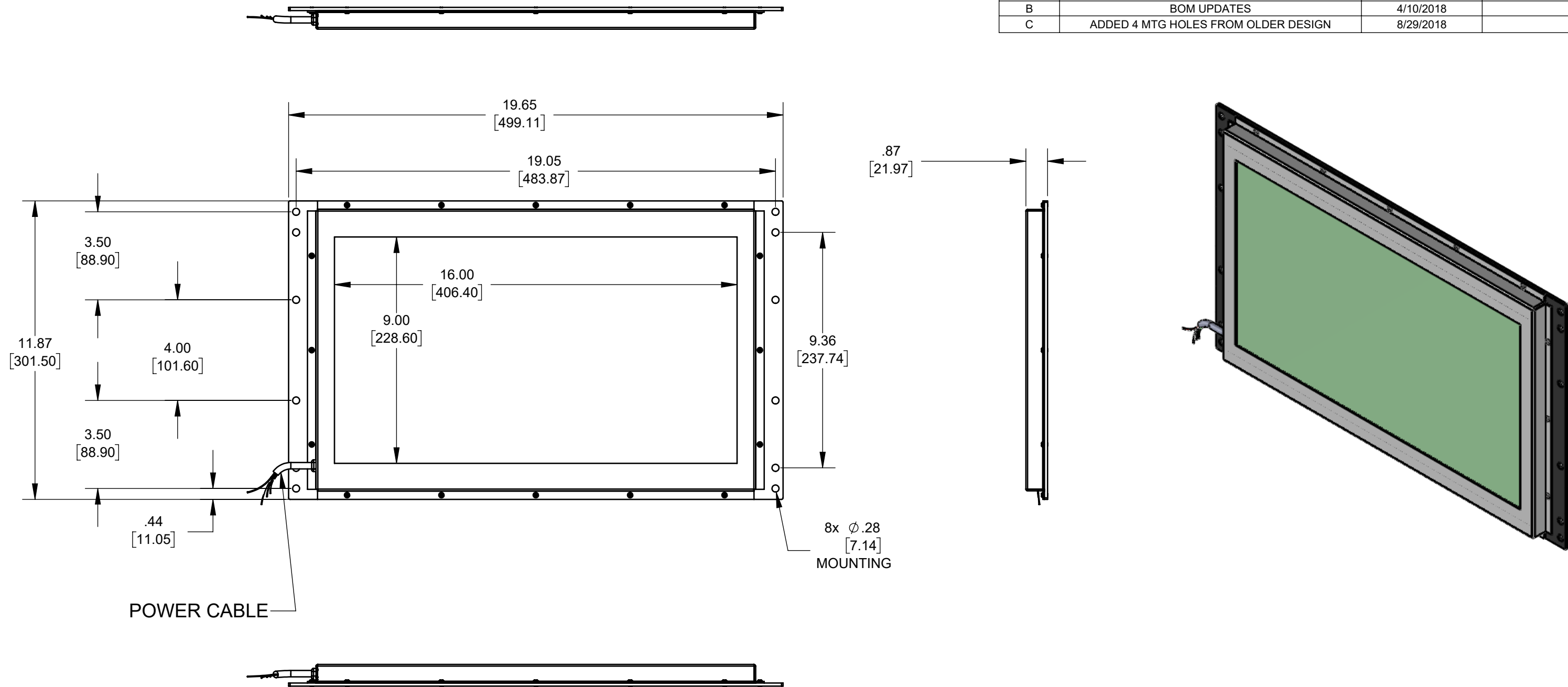


REVISIONS			
REV.	DESCRIPTION	DATE	APPROVED
A	INITIAL RELEASE	4/2/2018	
B	BOM UPDATES	4/10/2018	
C	ADDED 4 MTG HOLES FROM OLDER DESIGN	8/29/2018	



Metaphase Technologies, Inc. 211 Sinclair Road, Suite 100, Bristol, PA. 19007 215-639-8699 Fax 215-639-0977



SEE SHEET 2 FOR EXPLODED VIEW AND BOM.

QUANTITY: Per order

MATERIAL: See BOM

FINISH: Black Polane

TREATMENT: N/A

TOLERANCE/FINISH
UNLESS OTHERWISE SPECIFIED

INCHES [MM]				125√RMS [RA3.2um]
X	.X	.XX	.XXX	
[±.76]	±.030 [±.25]	±.010 [±.13]	±.005	ANGLES ±1°

THIS DOCUMENT IS THE PROPERTY OF METAPHASE TECHNOLOGIES, INC. WHOM MAY LOAN IT, SUBJECT TO RETURN UPON DEMAND. IT INCLUDES CONFIDENTIAL & PROPRIETARY INFORMATION WHICH MAY NOT BE DISCLOSED TO ANY THIRD PARTY, AND/ OR USED FOR ANY PURPOSE CONTRARY TO IT'S INTENDED USE, WITHOUT THE EXPRESSED PRIOR WRITTEN CONSENT OF METAPHASE TECHNOLOGIES, INC.

TITLE
ASSY, BACKLIGHT

USED ON
Per customer

SIZE B	DRAWING NUMBER FRBL9X16-1	REV C
SCALE 1:8		SHEET 1 OF 1

Approval Signature

/ /
Date