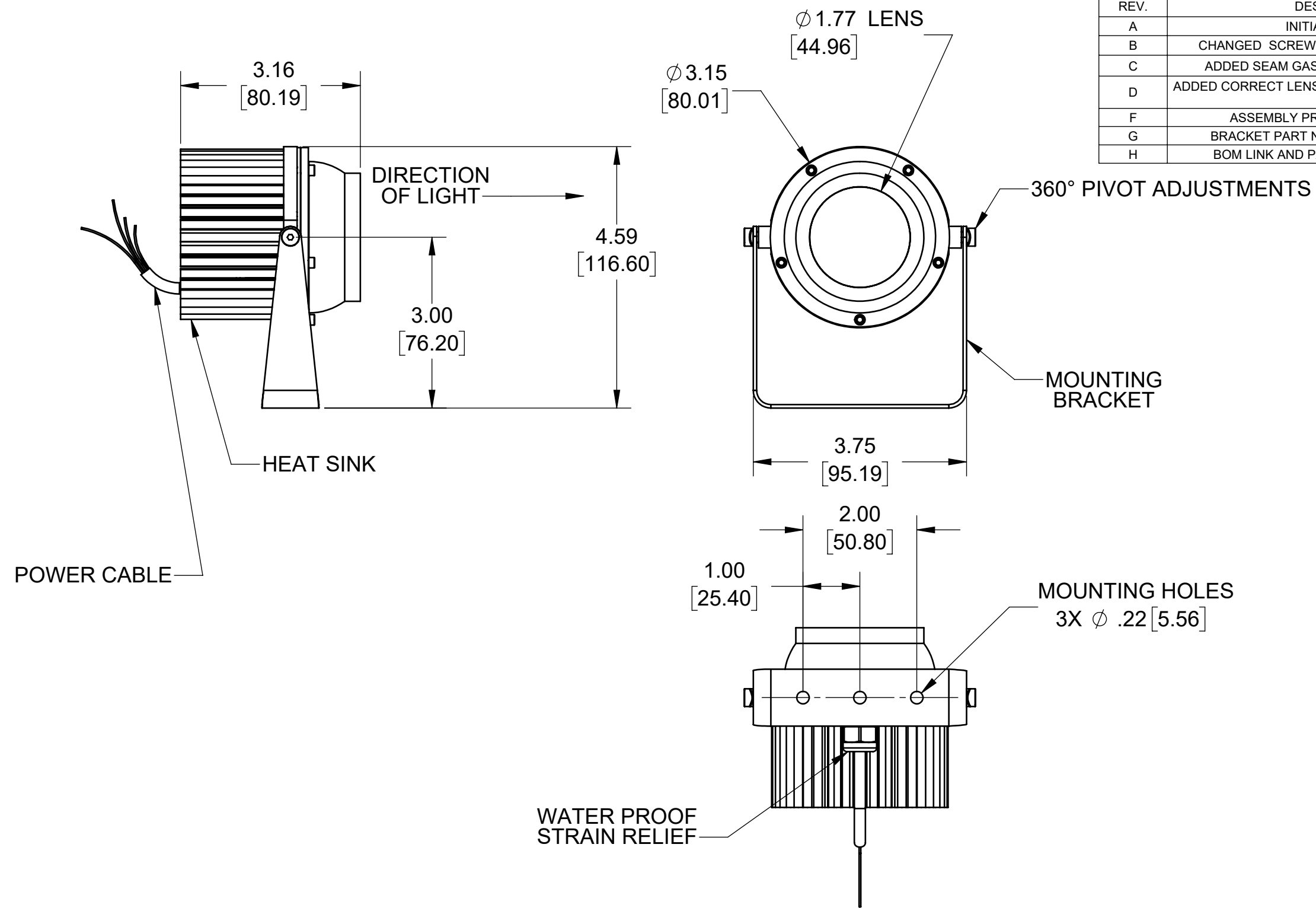


REVISIONS			
REV.	DESCRIPTION	DATE	APPROVED
A	INITIAL RELEASE	5/25/2013	
B	CHANGED SCREW SPECS. - SHEET 2 ITEM 15	7/15/2013	
C	ADDED SEAM GASKET AND LENS SEALANT	01/03/2017	
D	ADDED CORRECT LENS SEALANT AND DELETED OLD ORING	2/1/2017	
F	ASSEMBLY PROCEDURE UPDATED	6/26/2017	
G	BRACKET PART NUMBER CLARIFICATION	12/27/2017	
H	BOM LINK AND PART NUMBER UPDATES	2/23/2018	



SEE SHEET 2 FOR EXPLODED VIEW AND BOM

Metaphase Technologies, Inc. 211 Sinclair Road, Suite 100, Bristol, PA. 19007 215-639-8699 Fax 215-639-0977																		
QUANTITY: Per order	TOLERANCE/FINISH UNLESS OTHERWISE SPECIFIED	TITLE Top Assy - FRSL Light																
MATERIAL: Per BOM		USED ON Per customer																
FINISH: Black Anodized	<table border="1"> <thead> <tr> <th colspan="4">INCHES [MM]</th> <th>125√RMS [RA3.2um]</th> </tr> <tr> <th>X</th> <th>.X</th> <th>.XX</th> <th>.XXX</th> <th></th> </tr> </thead> <tbody> <tr> <td>[±.76]</td> <td>±.030 [±.25]</td> <td>±.010 [±.13]</td> <td>±.005</td> <td>ANGLES ±1°</td> </tr> </tbody> </table>	INCHES [MM]				125√RMS [RA3.2um]	X	.X	.XX	.XXX		[±.76]	±.030 [±.25]	±.010 [±.13]	±.005	ANGLES ±1°	THIS DOCUMENT IS THE PROPERTY OF METAPHASE TECHNOLOGIES, INC. WHOM MAY LOAN IT, SUBJECT TO RETURN UPON DEMAND. IT INCLUDES CONFIDENTIAL & PROPRIETARY INFORMATION WHICH MAY NOT BE DISCLOSED TO ANY THIRD PARTY, AND/ OR USED FOR ANY PURPOSE CONTRARY TO IT'S INTENDED USE, WITHOUT THE EXPRESSED PRIOR WRITTEN CONSENT OF METAPHASE TECHNOLOGIES, INC.	
INCHES [MM]				125√RMS [RA3.2um]														
X	.X	.XX	.XXX															
[±.76]	±.030 [±.25]	±.010 [±.13]	±.005	ANGLES ±1°														
TREATMENT: N/A		SIZE B	DRAWING NUMBER FRSL-205-1	REV H														
Approval Signature		Date		SCALE 1:2 SHEET 1 OF 1														