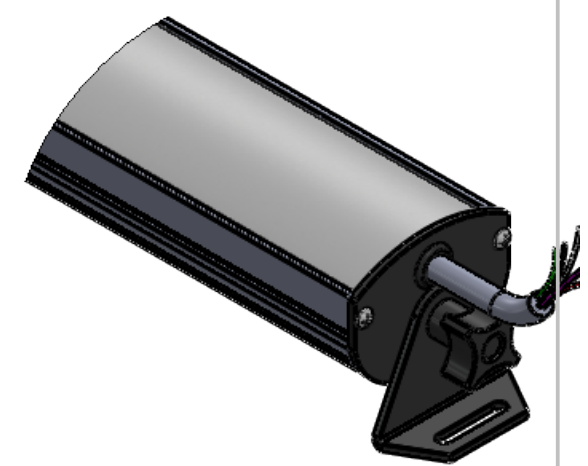
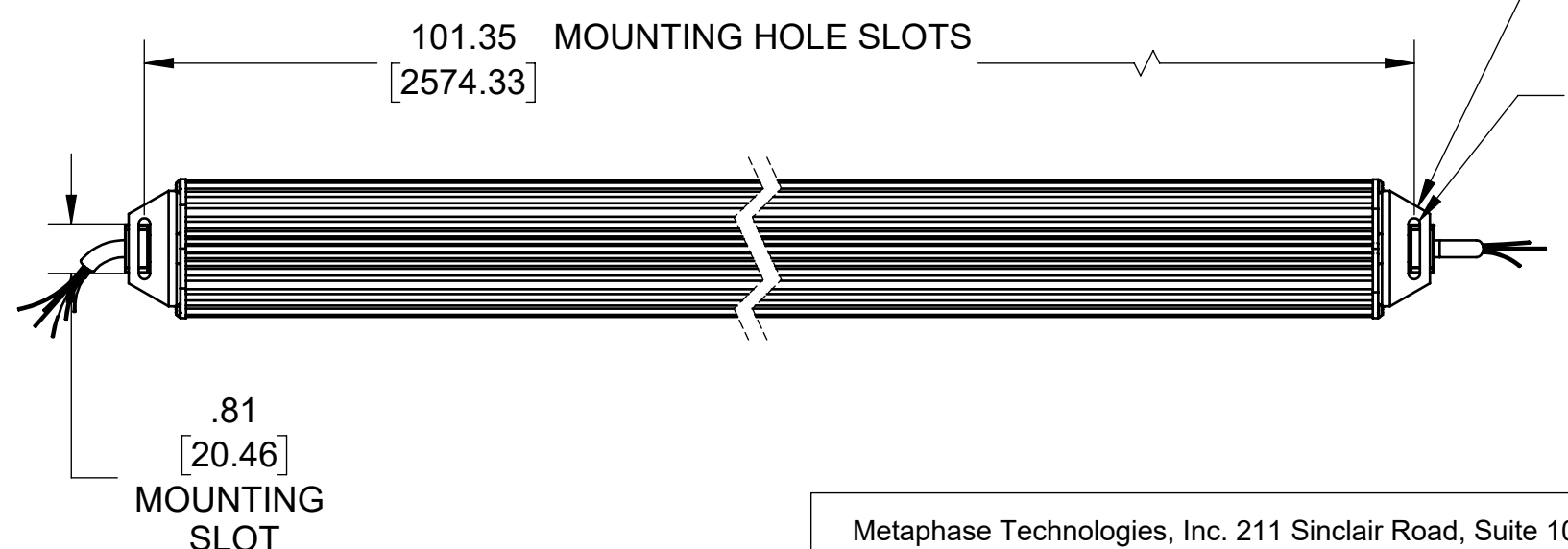
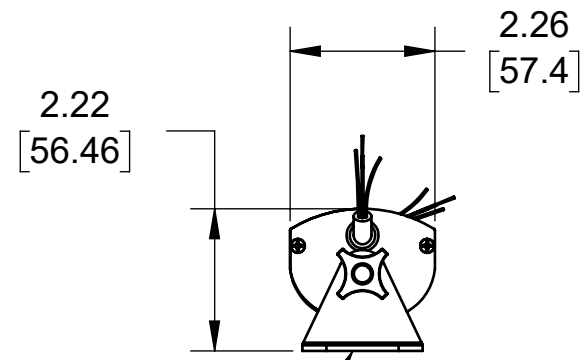
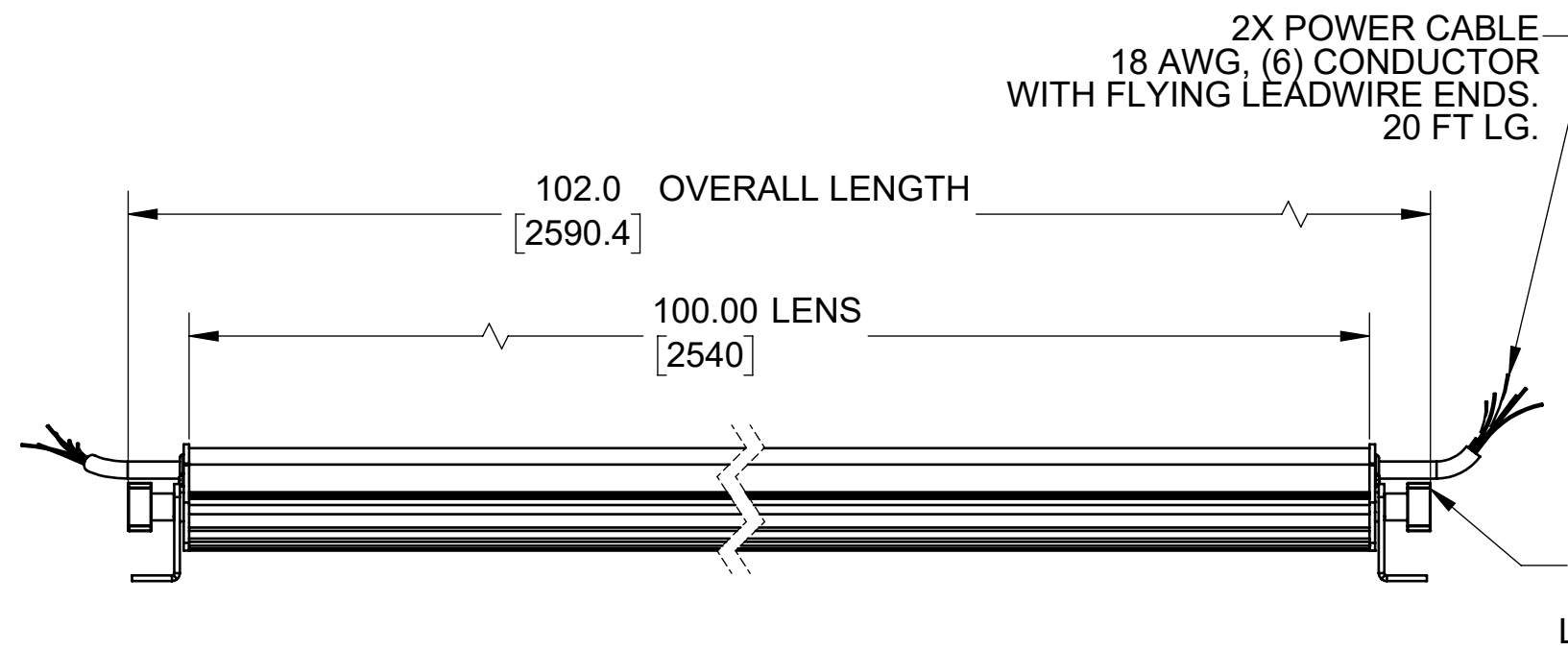


REVISIONS			
REV.	DESCRIPTION	DATE	APPROVED
B	CABLE UPDATE	7/11/2017	



Metaphase Technologies, Inc. 211 Sinclair Road, Suite 100, Bristol, PA. 19007 215-639-8699 Fax 215-639-0977



<b>QUANTITY:</b> Per order	TOLERANCE/FINISH UNLESS OTHERWISE SPECIFIED INCHES [MM] <table border="1"> <tr> <td>X</td> <td>.X</td> <td>.XX</td> <td>.XXX</td> <td>125√RMS [RA3.2um]</td> </tr> <tr> <td>[±.76]</td> <td>±.030 [±.25]</td> <td>±.010 [±.13]</td> <td>±.005</td> <td>ANGLES ±1°</td> </tr> </table>	X	.X	.XX	.XXX	125√RMS [RA3.2um]	[±.76]	±.030 [±.25]	±.010 [±.13]	±.005	ANGLES ±1°
X		.X	.XX	.XXX	125√RMS [RA3.2um]						
[±.76]		±.030 [±.25]	±.010 [±.13]	±.005	ANGLES ±1°						
<b>MATERIAL:</b> Per BOM											
<b>FINISH:</b> Black Anodize											
<b>TREATMENT:</b> N/A											

THIS DOCUMENT IS THE PROPERTY OF METAPHASE TECHNOLOGIES, INC. WHOM MAY LOAN IT, SUBJECT TO RETURN UPON DEMAND. IT INCLUDES CONFIDENTIAL & PROPRIETARY INFORMATION WHICH MAY NOT BE DISCLOSED TO ANY THIRD PARTY, AND/ OR USED FOR ANY PURPOSE CONTRARY TO IT'S INTENDED USE, WITHOUT THE EXPRESSED PRIOR WRITTEN CONSENT OF METAPHASE TECHNOLOGIES, INC.

TITLE	ISO Light- 100" Long		
USED ON	Per Customer		
SIZE	DRAWING NUMBER	REV	
B	ISO-100-1	B	
SCALE 1:8		SHEET 1 OF 1	

SEE SHEET 2 FOR EXPLODED VIEW AND BOM

Approval Signature	/ / Date
--------------------	-------------