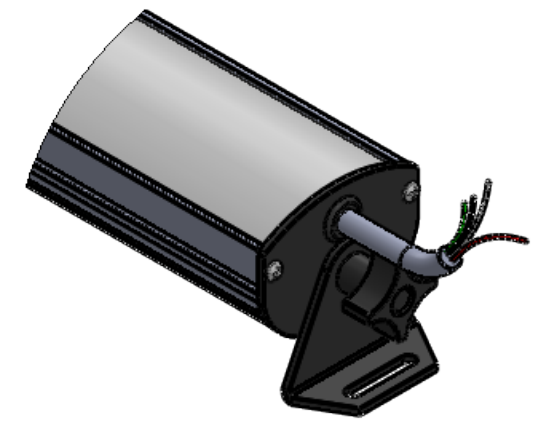
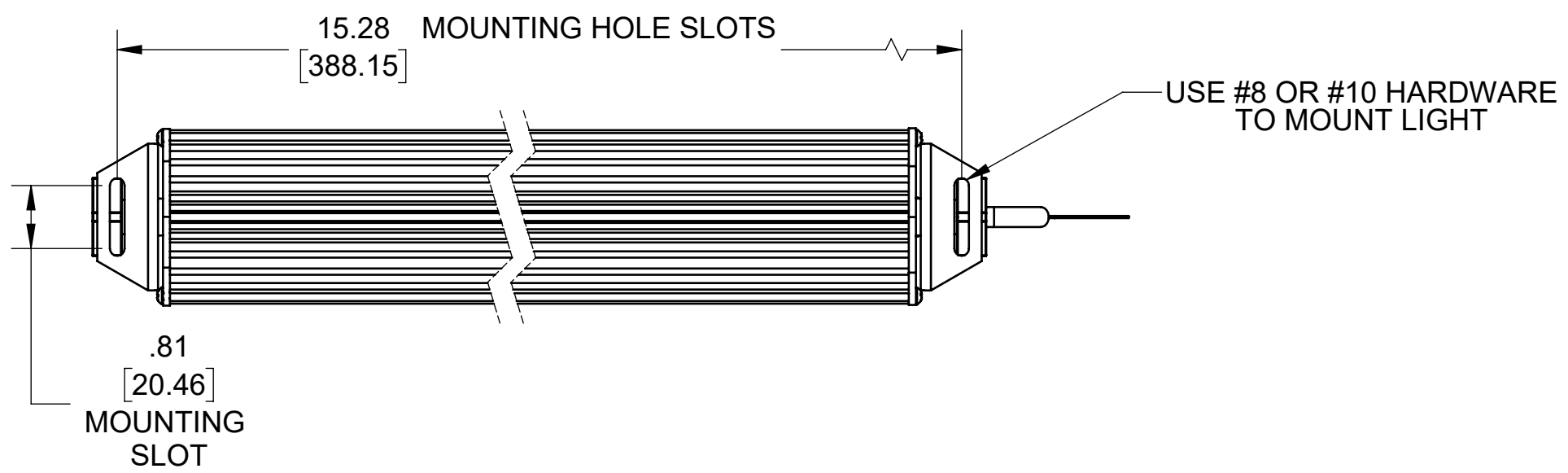
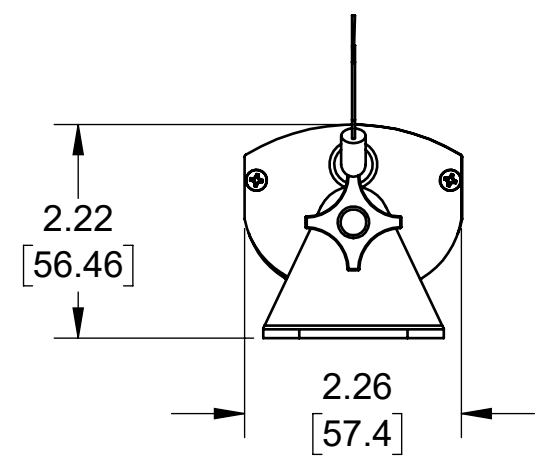
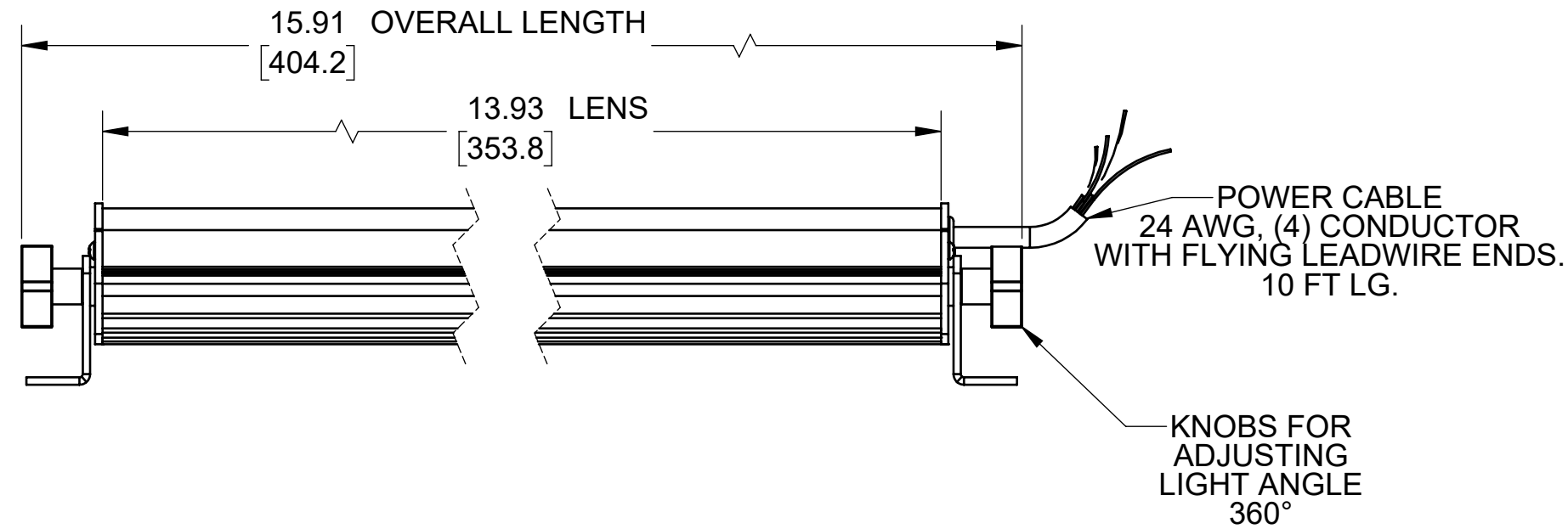


REVISIONS			
REV.	DESCRIPTION	DATE	APPROVED
A	INITIAL RELEASE	3/19/2014	
B	UPDATED MOUNTING BRACKETS, END PLATES, PEM STUDS, NYLON WASHER, KNOB, GROMMET AND POWER CABLE TO LATEST DESIGN.	3/19/2014	
C	UPDATED CABLE PART NUMBER	6/8/2017	



Metaphase Technologies, Inc. 211 Sinclair Road, Suite 100, Bristol, PA. 19007 215-639-8699 Fax 215-639-0977



QUANTITY:	Per order	TOLERANCE/FINISH UNLESS OTHERWISE SPECIFIED				
MATERIAL:	Per BOM	INCHES [MM]				
FINISH:	Black Anodize	X	.X	.XX	.XXX	125√RMS [RA3.2um]
TREATMENT:	N/A	[±.76]	±.030 [±.25]	±.010 [±.13]	±.005	ANGLES ±1°

THIS DOCUMENT IS THE PROPERTY OF METAPHASE TECHNOLOGIES, INC. WHOM MAY LOAN IT, SUBJECT TO RETURN UPON DEMAND. IT INCLUDES CONFIDENTIAL & PROPRIETARY INFORMATION WHICH MAY NOT BE DISCLOSED TO ANY THIRD PARTY, AND/ OR USED FOR ANY PURPOSE CONTRARY TO IT'S INTENDED USE, WITHOUT THE EXPRESSED PRIOR WRITTEN CONSENT OF METAPHASE TECHNOLOGIES, INC.

TITLE	ISO Light; 14" [354]		
USED ON	Per Customer		
SIZE	DRAWING NUMBER	REV	
B	ISO-14-1	C	
SCALE 1:8		SHEET 1 OF 1	

SEE SHEET 2 FOR EXPLODED VIEW AND BOM.

Approval Signature _____

/ /
Date