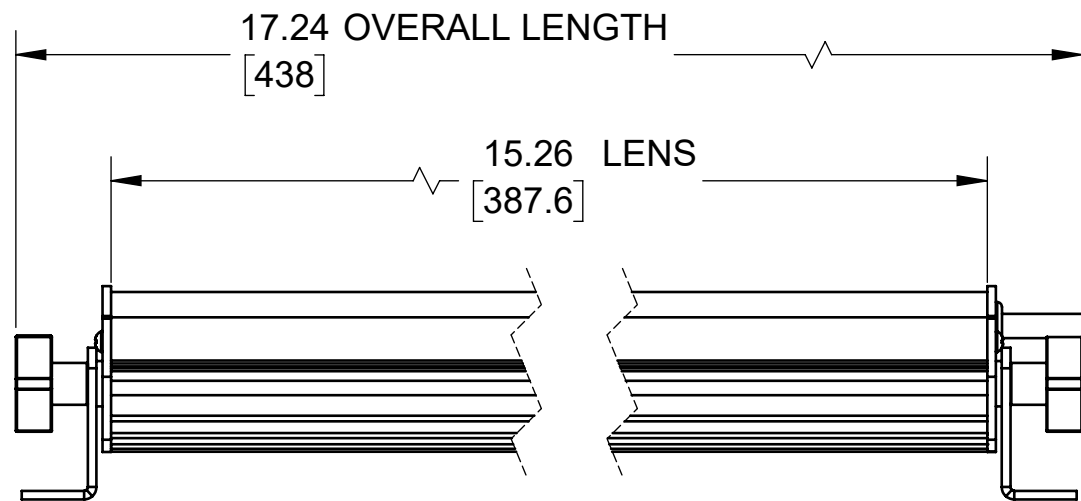
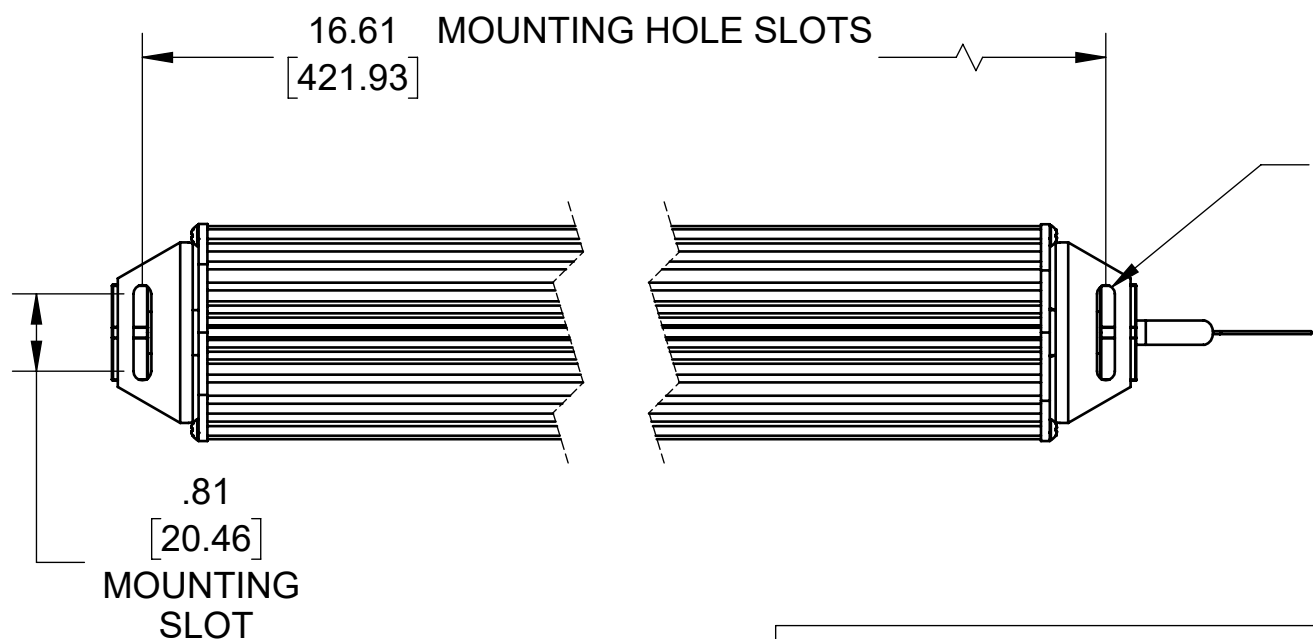
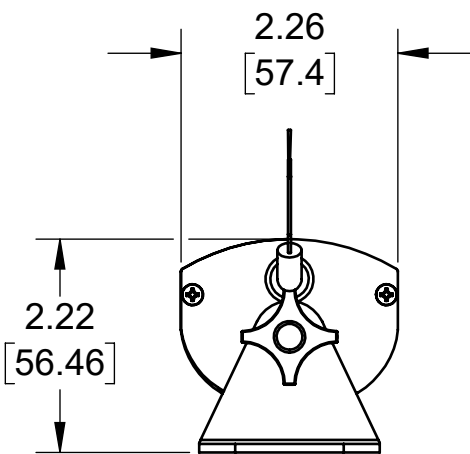


REVISIONS				
REV.	DESCRIPTION	DATE	APPROVED	
A	INITIAL RELEASE	4/9/2014		
B	Extrusion and Lens Length Changed from 15.000 to 15.260 to Accommodate New Electronics.	4/14/2014		
C	UPDATED CABLE PART NUMBER	6/8/2017		

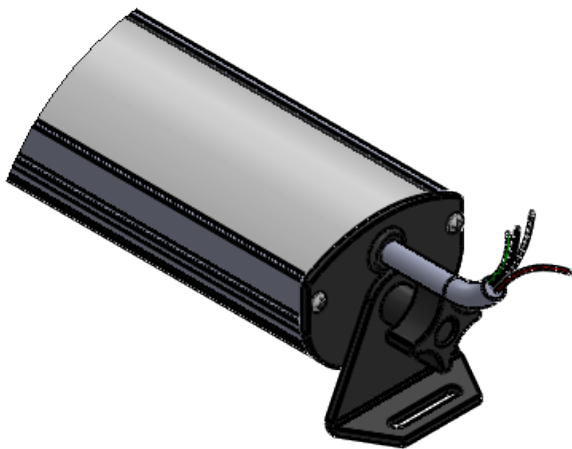


POWER CABLE  
24 AWG, (4) CONDUCTOR  
WITH FLYING LEADWIRE ENDS.  
10 FT LG.

KNOBS FOR  
ADJUSTING  
LIGHT ANGLE



USE #8 OR #10 HARDWARE  
TO MOUNT LIGHT



Metaphase Technologies, Inc. 211 Sinclair Road, Suite 100, Bristol, PA. 19007 215-639-8699 Fax 215-639-0977



SEE SHEET 2 FOR EXPLODED VIEW AND BOM.

QUANTITY: Per order

MATERIAL: Per BOM

FINISH: Black Anodize

TREATMENT: N/A

TOLERANCE/FINISH  
UNLESS OTHERWISE SPECIFIED

INCHES [MM]				125√RMS [RA3.2um]
X	.X	.XX	.XXX	ANGLES ±1°
[±.76]	±.030 [±.25]	±.010 [±.13]	±.005	

THIS DOCUMENT IS THE PROPERTY OF METAPHASE TECHNOLOGIES, INC. WHOM MAY LOAN IT, SUBJECT TO RETURN UPON DEMAND. IT INCLUDES CONFIDENTIAL & PROPRIETARY INFORMATION WHICH MAY NOT BE DISCLOSED TO ANY THIRD PARTY, AND/ OR USED FOR ANY PURPOSE CONTRARY TO IT'S INTENDED USE, WITHOUT THE EXPRESSED PRIOR WRITTEN CONSENT OF METAPHASE TECHNOLOGIES, INC.

TITLE  
ISO Light- 15" Long

USED ON  
Per Customer

SIZE B	DRAWING NUMBER ISO-15-1	REV C
SCALE 1:8		SHEET 1 OF 1

Approval Signature

/ /  
Date