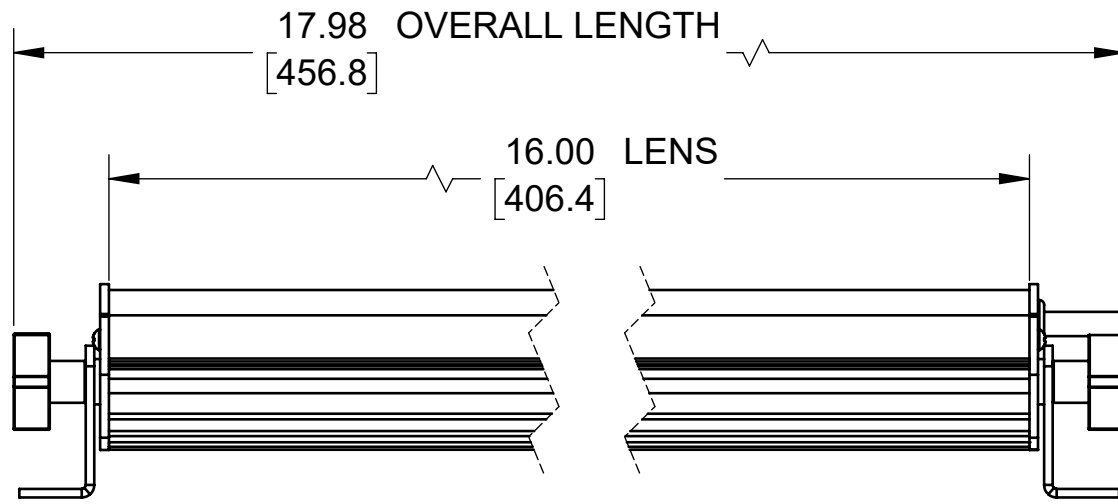
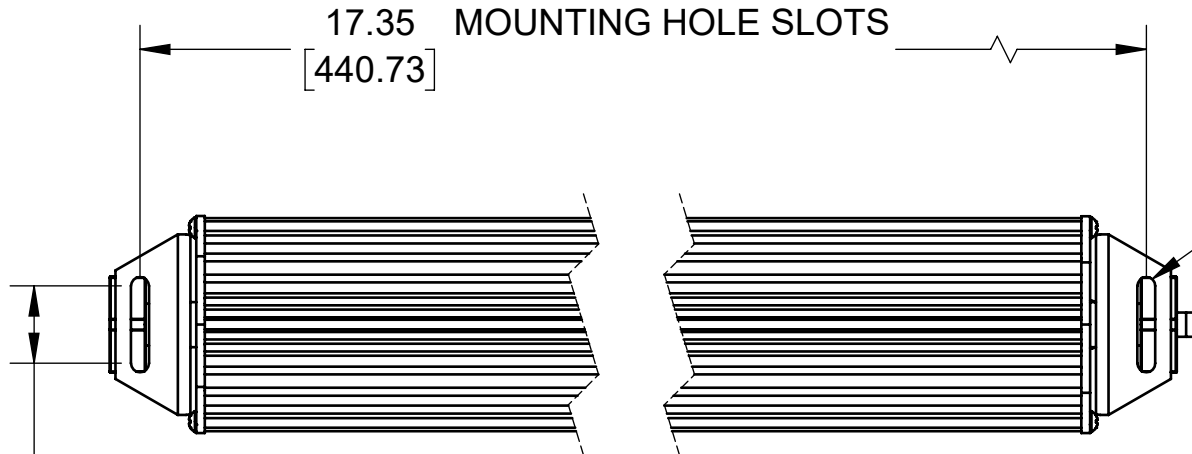
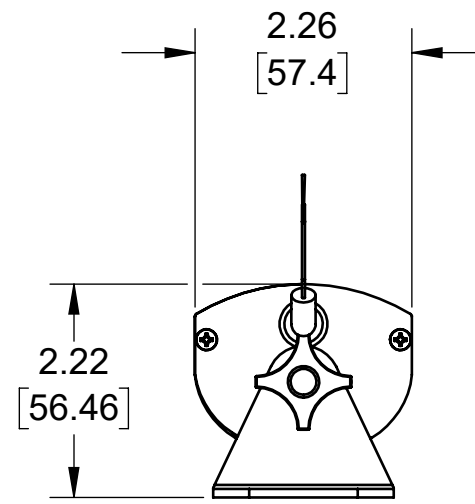


REVISIONS			
REV.	DESCRIPTION	DATE	APPROVED
A	INITIAL RELEASE	4/15/2014	
B	POWER CABLE UPDATE	6/19/2017	

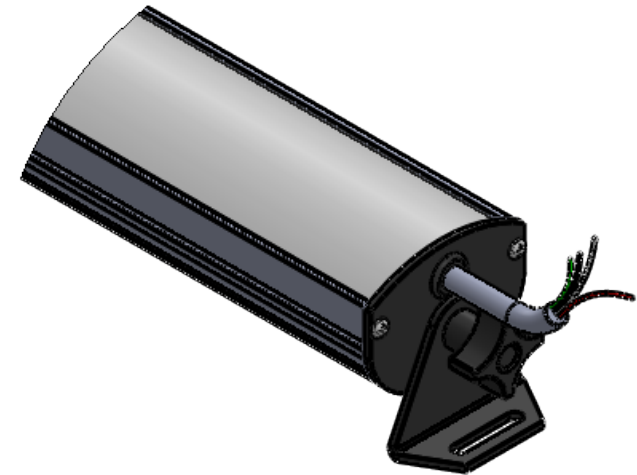


POWER CABLE
24 AWG, (4) CONDUCTOR
WITH FLYING LEADWIRE ENDS.
10 FT LG.

KNOBS FOR
ADJUSTING
LIGHT ANGLE



USE #8 OR #10 HARDWARE
TO MOUNT LIGHT



SEE SHEET 2 FOR EXPLODED VIEW AND BOM.

Metaphase Technologies, Inc. 211 Sinclair Road, Suite 100, Bristol, PA. 19007 215-639-8699 Fax 215-639-0977



QUANTITY:	Per order	TOLERANCE/FINISH UNLESS OTHERWISE SPECIFIED				125√RMS [RA3.2um]	ANGLES ±1°
MATERIAL:	Per BOM	INCHES [MM]					
FINISH:	Black Anodize	X	.X	.XX	.XXX		
TREATMENT:	N/A	[±.76]	±.030 [±.25]	±.010 [±.13]	±.005		

THIS DOCUMENT IS THE PROPERTY OF METAPHASE TECHNOLOGIES, INC. WHOM MAY LOAN IT, SUBJECT TO RETURN UPON DEMAND. IT INCLUDES CONFIDENTIAL & PROPRIETARY INFORMATION WHICH MAY NOT BE DISCLOSED TO ANY THIRD PARTY, AND/ OR USED FOR ANY PURPOSE CONTRARY TO IT'S INTENDED USE, WITHOUT THE EXPRESSED PRIOR WRITTEN CONSENT OF METAPHASE TECHNOLOGIES, INC.

TITLE
ISO Light- 16" Long

USED ON
Per Customer

SIZE B	DRAWING NUMBER ISO-16-1	REV B
SCALE 1:8		SHEET 1 OF 1

Approval Signature

/ /
Date