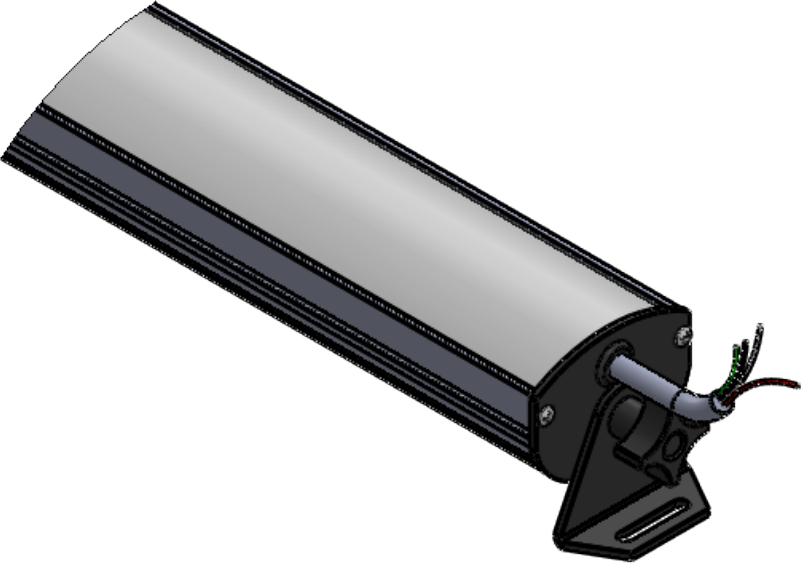
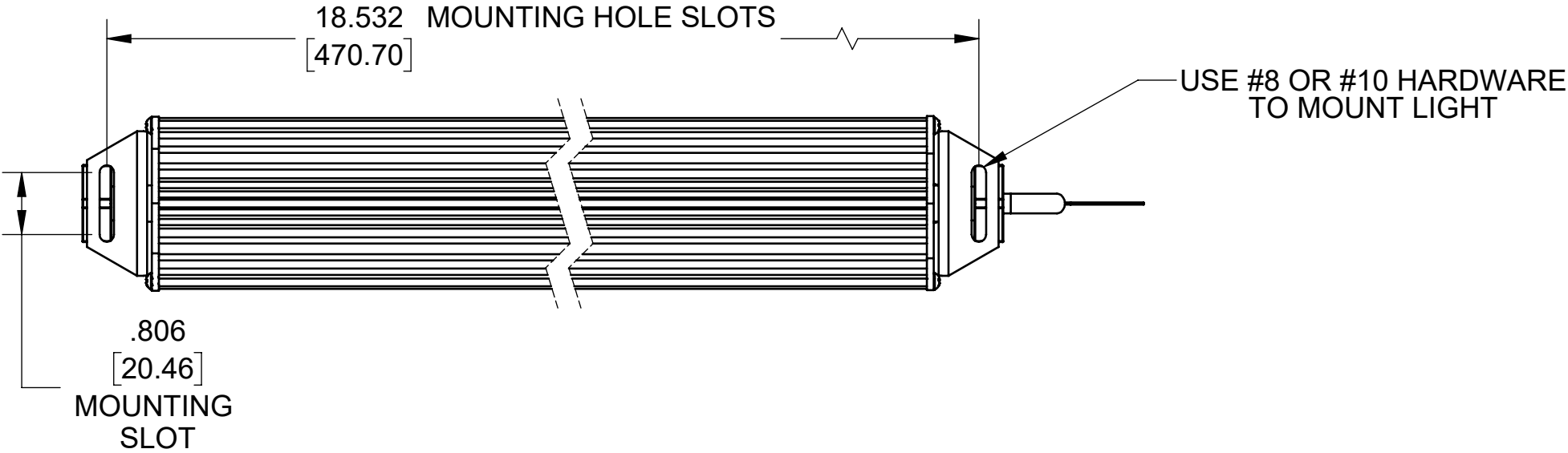
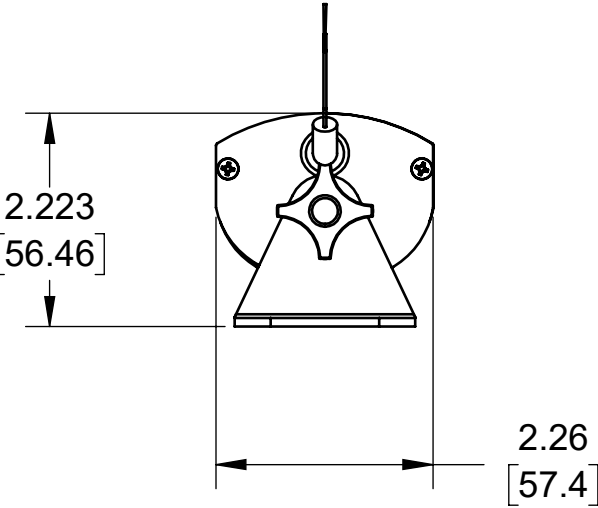
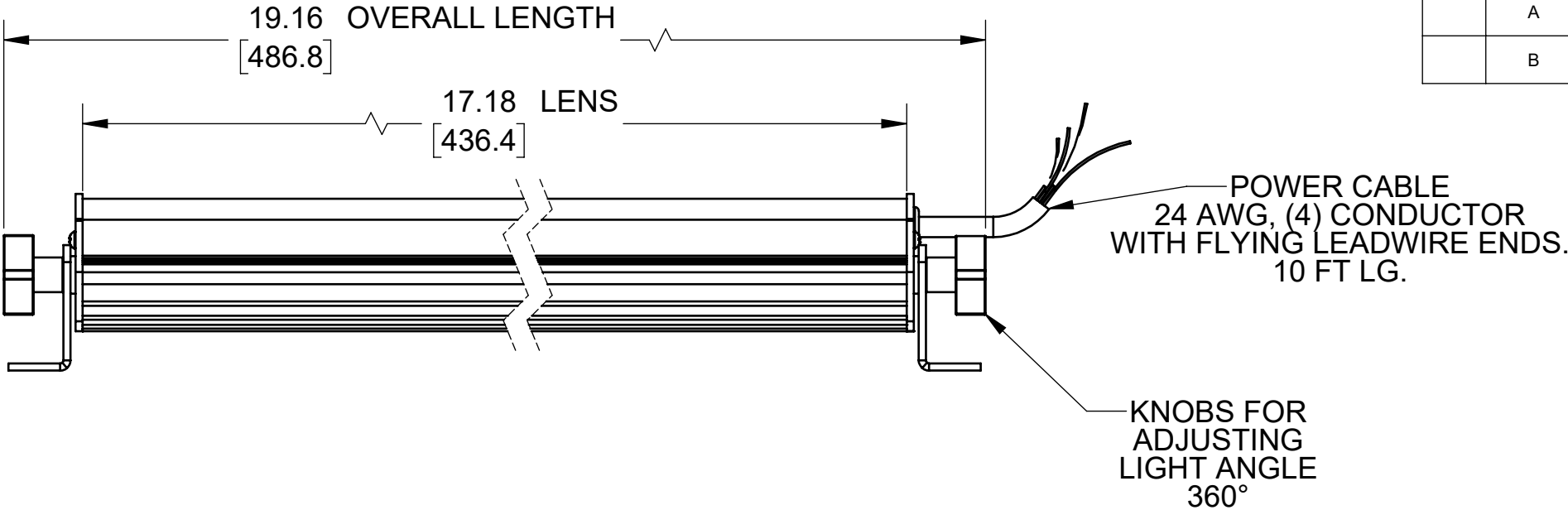


| REVISIONS | | | |
|-----------|---------------------------|------------|----------|
| REV. | DESCRIPTION | DATE | APPROVED |
| A | INITIAL RELEASE | 10/14/2016 | |
| B | POWER CABLE GAUGE UPDATED | 6/19/2017 | |



Metaphase Technologies, Inc. 211 Sinclair Road, Suite 100, Bristol, PA. 19007 215-639-8699 Fax 215-639-0977



SEE SHEET 2 FOR EXPLODED VIEW AND BOM.

| | |
|-------------------|---------------|
| QUANTITY: | Per order |
| MATERIAL: | Per BOM |
| FINISH: | Black Anodize |
| TREATMENT: | N/A |

| TOLERANCE/FINISH UNLESS OTHERWISE SPECIFIED | | | | |
|--|-----------------|-----------------|-------|----------------------|
| INCHES [MM] | | | | |
| X | .X | .XX | .XXX | 125√RMS [RA3.2um] |
| [±.76] | ±.030 [±.25] | ±.010 [±.13] | ±.005 | ANGLES ±1° |

THIS DOCUMENT IS THE PROPERTY OF METAPHASE TECHNOLOGIES, INC. WHOM MAY LOAN IT, SUBJECT TO RETURN UPON DEMAND. IT INCLUDES CONFIDENTIAL & PROPRIETARY INFORMATION WHICH MAY NOT BE DISCLOSED TO ANY THIRD PARTY, AND/ OR USED FOR ANY PURPOSE CONTRARY TO IT'S INTENDED USE, WITHOUT THE EXPRESSED PRIOR WRITTEN CONSENT OF METAPHASE TECHNOLOGIES, INC.

| | | | |
|-----------|----------------|--------------|--|
| TITLE | ISO Light; 17 | | |
| USED ON | Per Customer | | |
| SIZE | DRAWING NUMBER | REV | |
| B | ISO-17-1 | B | |
| SCALE 1:8 | | SHEET 1 OF 1 | |

Approval Signature _____

/ /
Date