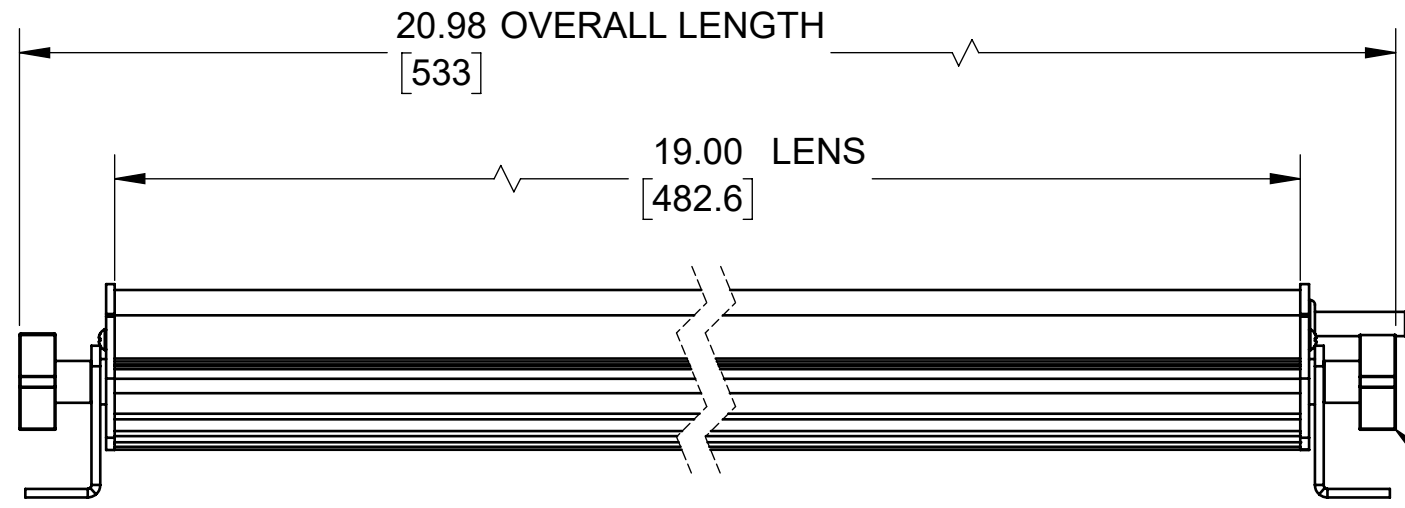
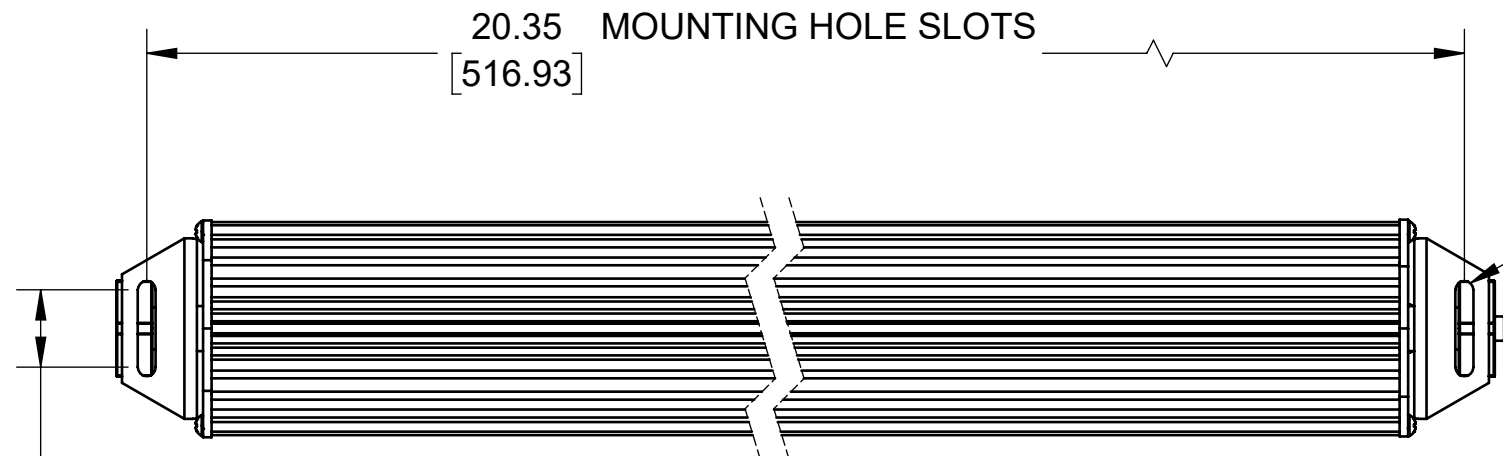
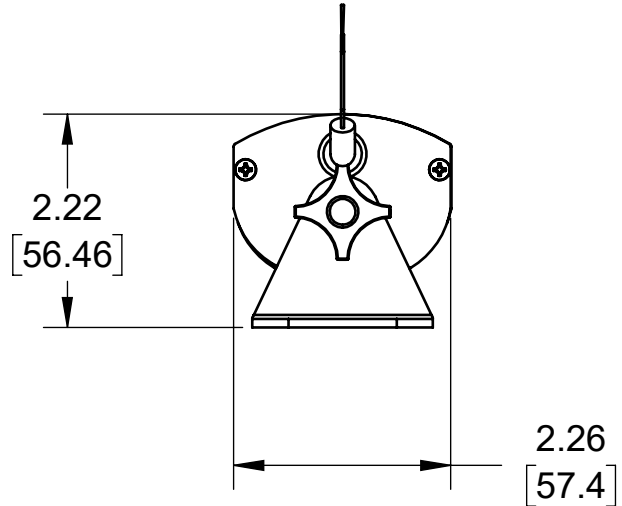


REVISIONS			
REV.	DESCRIPTION	DATE	APPROVED
A	INITIAL RELEASE	3/19/2014	
B	UPDATED MOUNTING BRACKETS, END PLATES, PEM STUDS, NYLON WASHER, KNOB, GROMMET AND POWER CABLE TO LATEST DESIGN.	3/19/2014	
C	UPDATED POWER CABLE	6/19/2017	

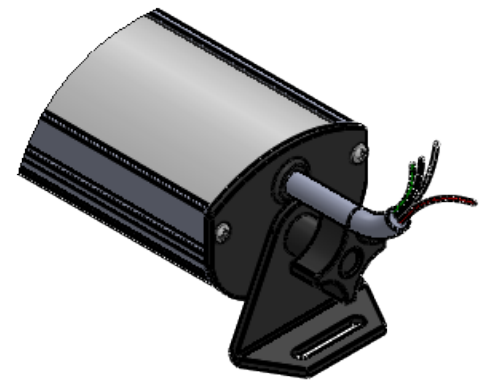


POWER CABLE  
24 AWG, (4) CONDUCTOR  
WITH FLYING LEADWIRE ENDS.  
10 FT LG.

KNOBS FOR  
ADJUSTING  
LIGHT ANGLE



USE #8 OR #10 HARDWARE  
TO MOUNT LIGHT



Metaphase Technologies, Inc. 211 Sinclair Road, Suite 100, Bristol, PA. 19007 215-639-8699 Fax 215-639-0977



<b>QUANTITY:</b>	Per order	TOLERANCE/FINISH UNLESS OTHERWISE SPECIFIED			
<b>MATERIAL:</b>	Per BOM	INCHES [MM]			
<b>FINISH:</b>	Black Anodize	X	.X	.XX	.XXX
<b>TREATMENT:</b>	N/A	[±.76]	±.030 [±.25]	±.010 [±.13]	±.005
					125√RMS [RA3.2um]
					ANGLES ±1°

THIS DOCUMENT IS THE PROPERTY OF METAPHASE TECHNOLOGIES, INC. WHOM MAY LOAN IT, SUBJECT TO RETURN UPON DEMAND. IT INCLUDES CONFIDENTIAL & PROPRIETARY INFORMATION WHICH MAY NOT BE DISCLOSED TO ANY THIRD PARTY, AND/ OR USED FOR ANY PURPOSE CONTRARY TO IT'S INTENDED USE, WITHOUT THE EXPRESSED PRIOR WRITTEN CONSENT OF METAPHASE TECHNOLOGIES, INC.

TITLE	ISO Light; 19" [482]		
USED ON	Per Customer		
SIZE	DRAWING NUMBER	REV	
B	ISO-19-1	C	
SCALE 1:8		SHEET 1 OF 1	

SEE SHEET 2 FOR EXPLODED VIEW AND BOM.

Approval Signature \_\_\_\_\_

/ /  
Date