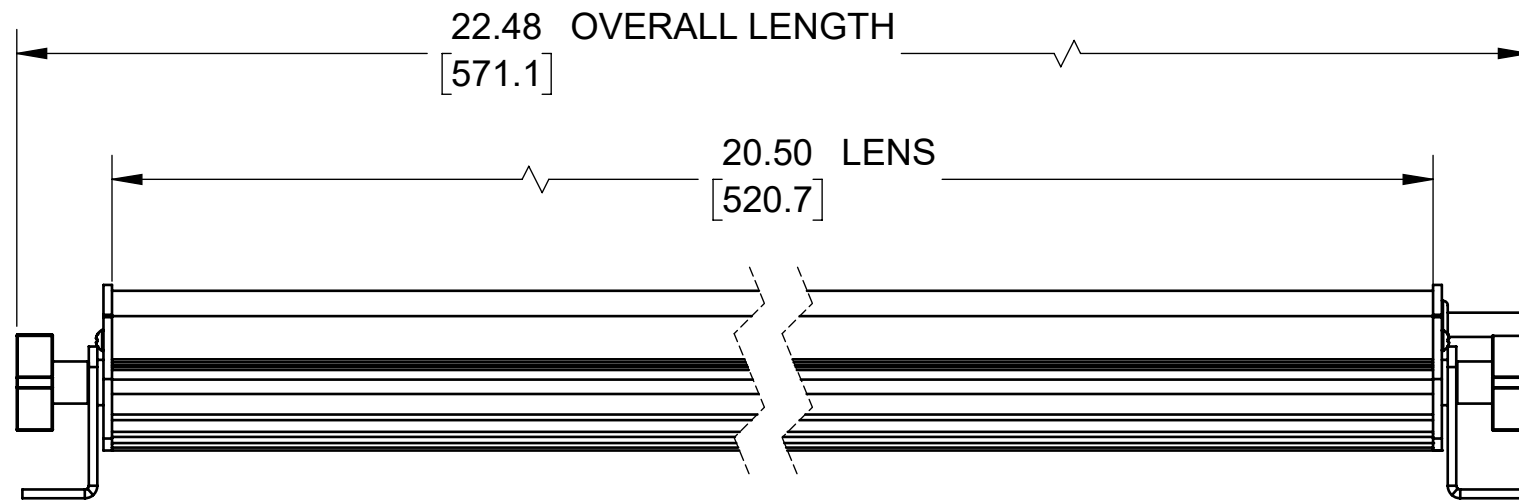
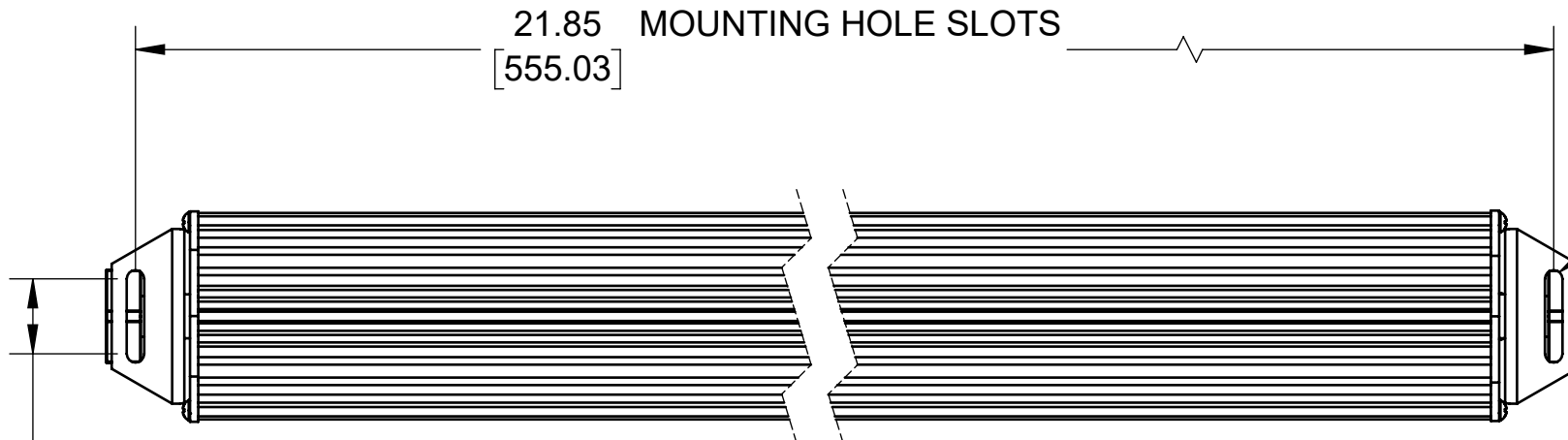
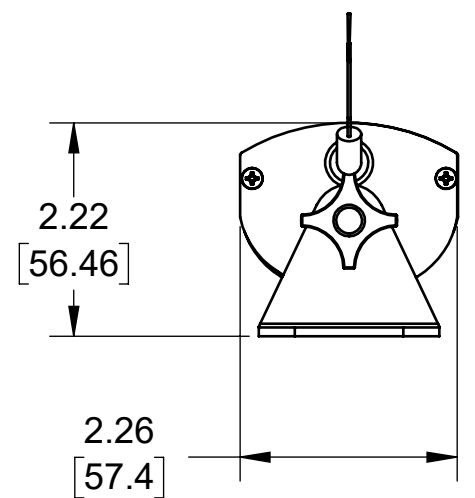


REVISIONS			
REV.	DESCRIPTION	DATE	APPROVED
A	INITIAL RELEASE	8/25/2016	
B	POWER CABLE UPDATE	6/19/2017	

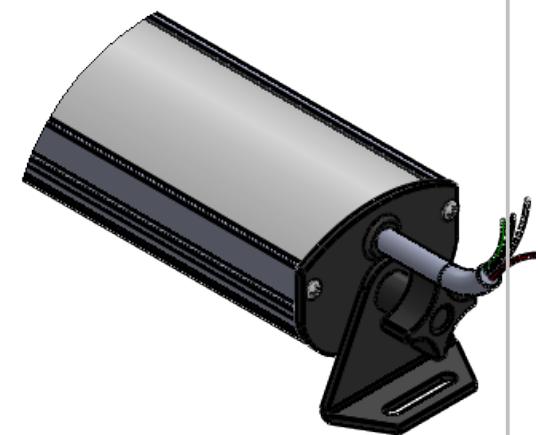


POWER CABLE
24 AWG, (4) CONDUCTOR
WITH FLYING LEADWIRE ENDS.
10 FT LG.

KNOBS FOR
ADJUSTING
LIGHT ANGLE



FOR #10 HARDWARE



SEE SHEET 2 FOR EXPLODED VIEW AND BOM.

Metaphase Technologies, Inc. 211 Sinclair Road, Suite 100, Bristol, PA. 19007 215-639-8699 Fax 215-639-0977



QUANTITY:	Per order	TOLERANCE/FINISH UNLESS OTHERWISE SPECIFIED				125V _{RMS} [RA3.2um]	ANGLES ±1°
MATERIAL:	Per BOM	INCHES [MM]					
FINISH:	Black Anodize	X	.X	.XX	.XXX		
TREATMENT:	N/A	[±.76]	[±.030 [±.25]]	[±.010 [±.13]]	±.005		

THIS DOCUMENT IS THE PROPERTY OF METAPHASE TECHNOLOGIES, INC. WHOM MAY LOAN IT, SUBJECT TO RETURN UPON DEMAND. IT INCLUDES CONFIDENTIAL & PROPRIETARY INFORMATION WHICH MAY NOT BE DISCLOSED TO ANY THIRD PARTY, AND/ OR USED FOR ANY PURPOSE CONTRARY TO IT'S INTENDED USE, WITHOUT THE EXPRESSED PRIOR WRITTEN CONSENT OF METAPHASE TECHNOLOGIES, INC.

TITLE	ISO Light; 20" [508]		
USED ON	Per Customer		
SIZE	DRAWING NUMBER	REV	
B	ISO-20-1	B	
SCALE 1:8		SHEET 1 OF 1	

Approval Signature _____

/ /
Date