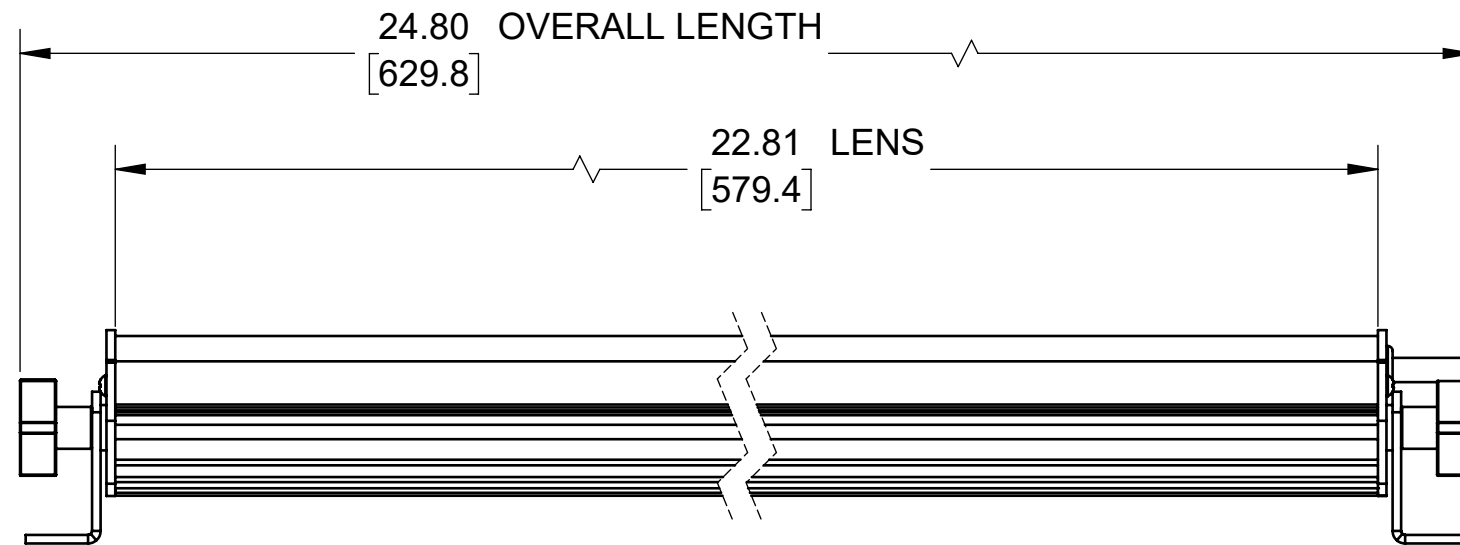
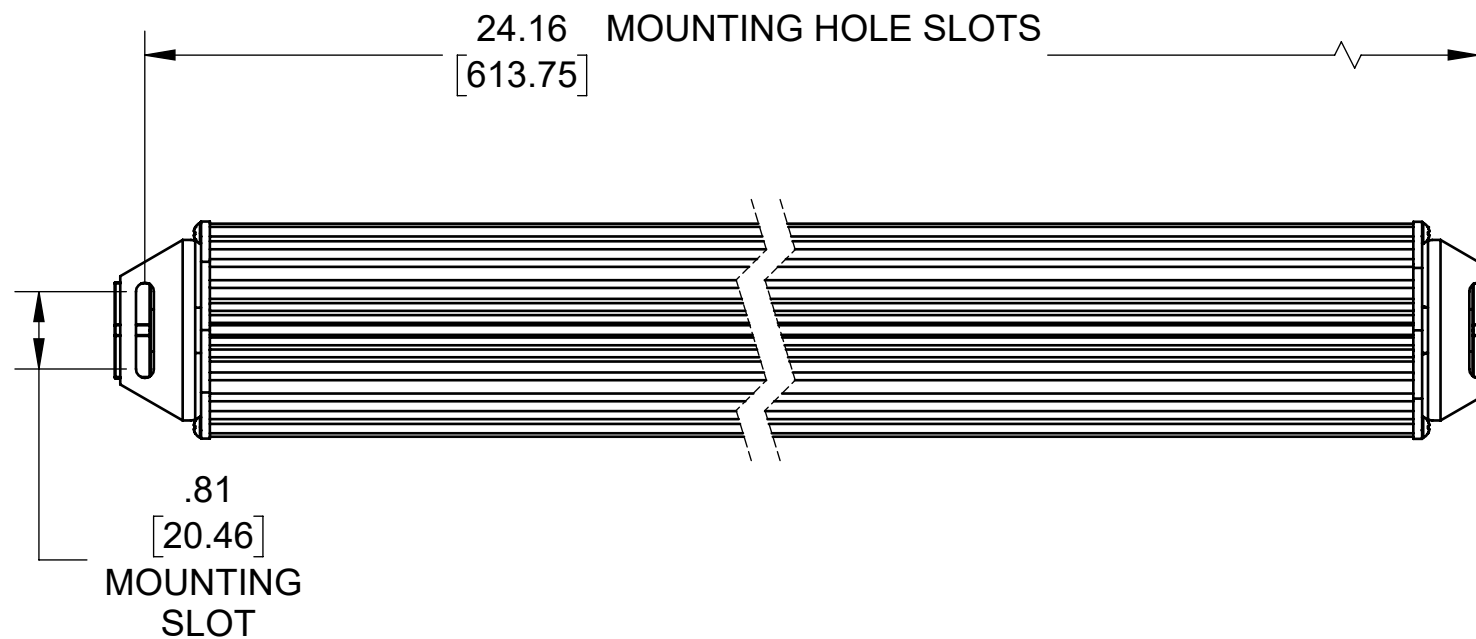
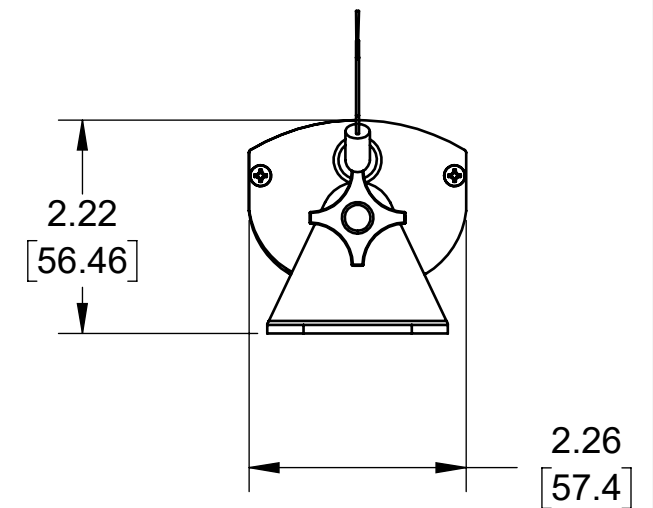


REVISIONS			
REV.	DESCRIPTION	DATE	APPROVED
A	INITIAL RELEASE	3/19/2014	
B	UPDATED MOUNTING BRACKETS, END PLATES, PEM STUDS, NYLON WASHER, KNOB, GROMMET AND POWER CABLE TO LATEST DESIGN.	3/19/2014	
C	POWER CABLE UPDATE	6/19/2017	

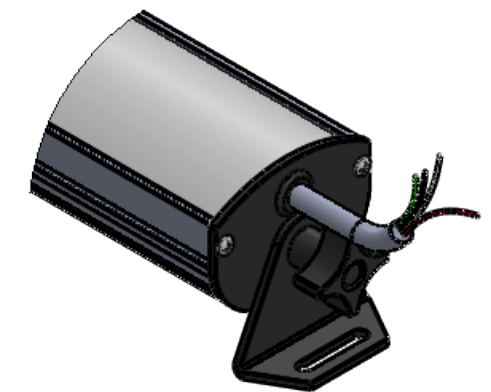


POWER CABLE  
24 AWG, (4) CONDUCTOR  
WITH FLYING LEADWIRE ENDS.  
10 FT LG.

KNOBS FOR  
ADJUSTING  
LIGHT ANGLE



FOR #10 HARDWARE  
TO MOUNT LIGHT



Metaphase Technologies, Inc. 211 Sinclair Road, Suite 100, Bristol, PA. 19007 215-639-8699 Fax 215-639-0977



SEE SHEET 2 FOR EXPLODED VIEW AND BOM.

QUANTITY: Per order

MATERIAL: Per BOM

FINISH: Black Anodize

TREATMENT: N/A

TOLERANCE/FINISH  
UNLESS OTHERWISE SPECIFIED

INCHES [MM]				125√RMS [RA3.2um]
X	.X	.XX	.XXX	ANGLES ±1°
[±.76]	±.030 [±.25]	±.010 [±.13]	±.005	

THIS DOCUMENT IS THE PROPERTY OF  
**METAPHASE TECHNOLOGIES, INC.** WHOM MAY  
LOAN IT, SUBJECT TO RETURN UPON DEMAND.  
IT INCLUDES CONFIDENTIAL & PROPRIETARY  
INFORMATION WHICH MAY NOT BE DISCLOSED  
TO ANY THIRD PARTY, AND/ OR USED FOR  
ANY PURPOSE CONTRARY TO IT'S INTENDED  
USE, WITHOUT THE EXPRESSED PRIOR WRITTEN  
CONSENT OF **METAPHASE TECHNOLOGIES, INC.**

TITLE  
ISO Light; 23" [584]

USED ON  
Per Customer

SIZE B	DRAWING NUMBER ISO-23-1	REV C
SCALE 1:8		SHEET 1 OF 1

Approval Signature

/ /  
Date