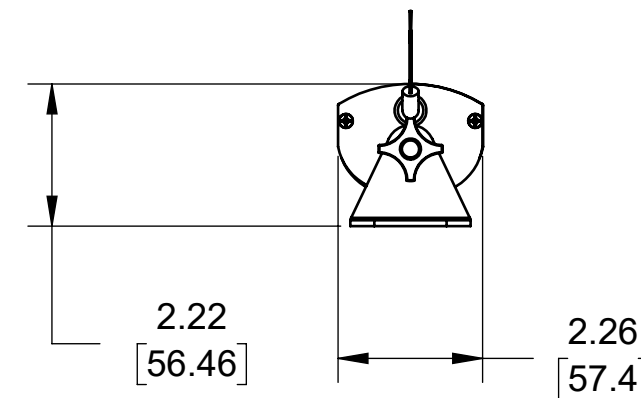
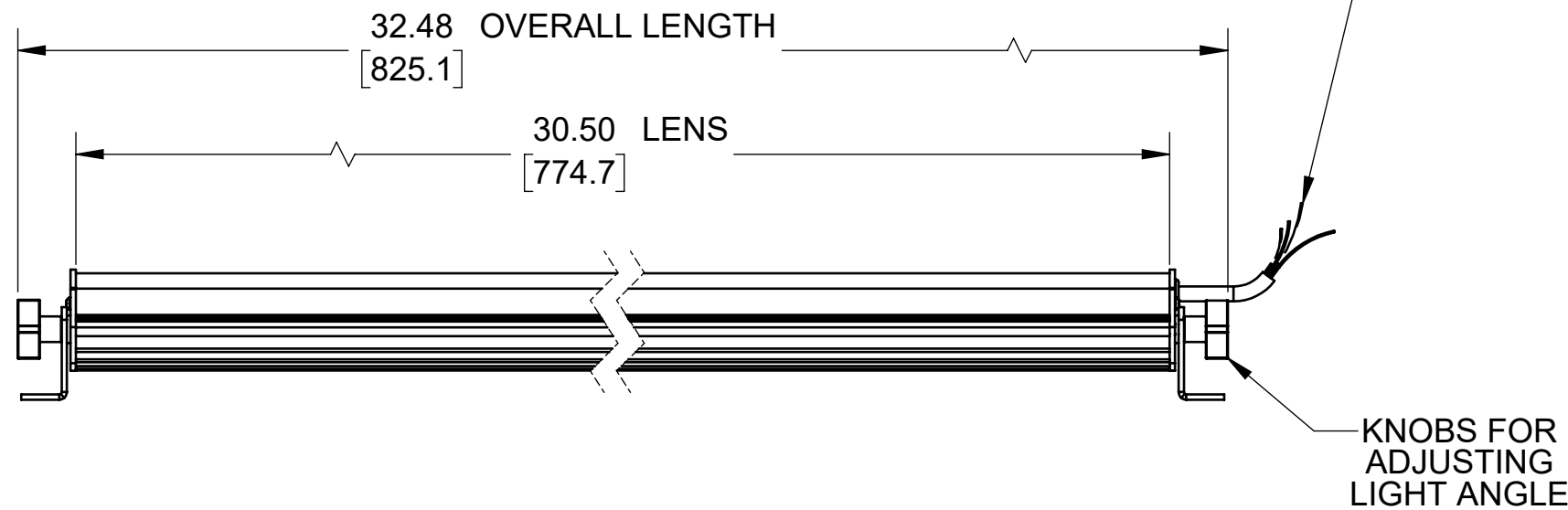
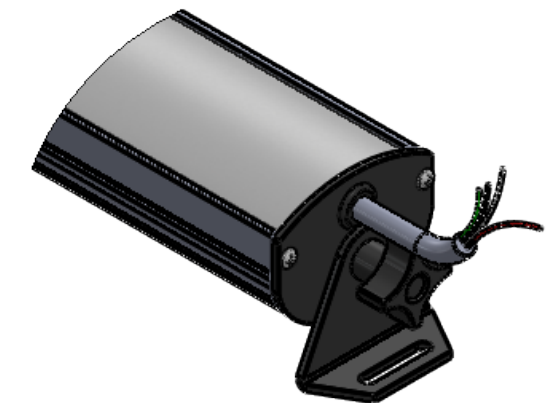
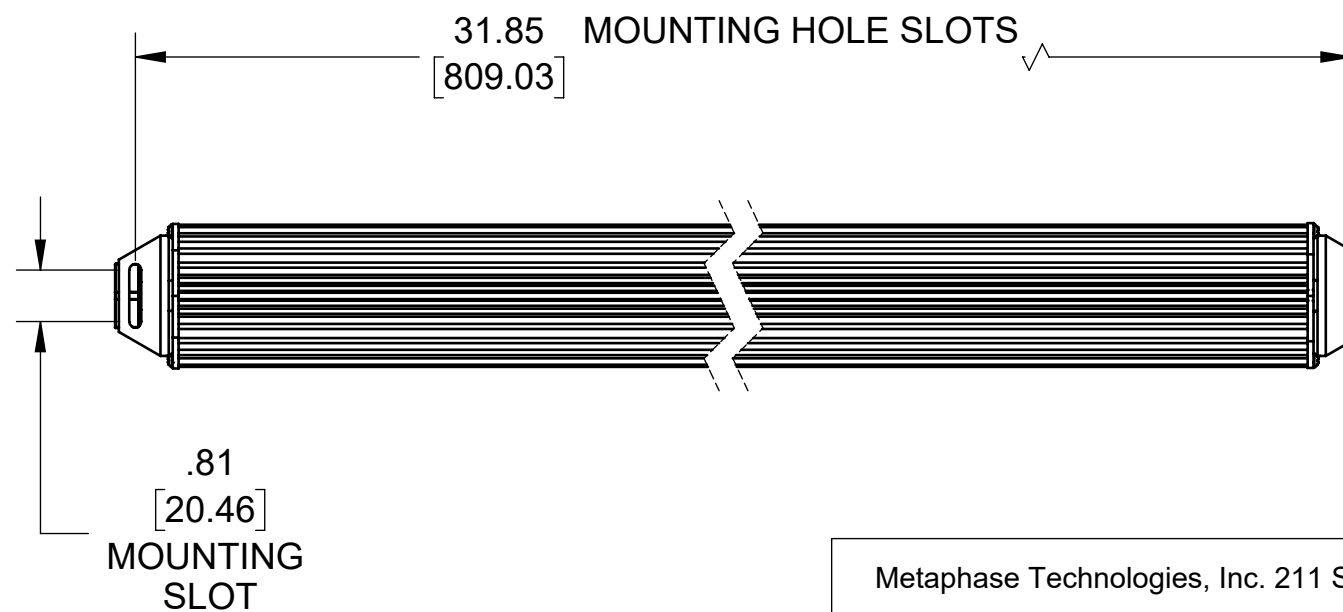


REVISIONS		
REV.	DESCRIPTION	DATE
A	INITIAL RELEASE	3/14/2013
B	REPLACED #10-32 PEM STUD W/ 1/4"-20 STUD; UPDATED RELATED HARDWARE. ADDED THREADED HOLES TO HEAT SINK.	1/20/2014
C	CHANGED 1/4"-20 STUD TO #10-24 STUD; REPLACED KNOB TO MATCH THREAD. RETURNED ORIGINAL RELATED HARDWARE	2/1/2014
D	DELETED BUSHING (EXO200-3); REPLACED NYLON WASHER W/ NEW PART NUMBER. CHANGED THICKNESS OF MOUNTING BRACKET. (SEE SHEET 2) MOUNTING DISTANCE BETWEEN SLOTS HAS INCREASED.	2/17/2014
E	UPDATED END MOUNTING BRACKETS WHICH CHANGED THE CENTERS OF THE MOUNTING SLOTS.	3/3/2014
F	UPDATED END MOUNTING BRACKETS WHICH CHANGED THE CENTERS OF THE MOUNTING SLOTS.	3/18/2014

POWER CABLE  
18 AWG, (4) CONDUCTOR  
WITH FLYING LEADWIRE ENDS.  
10 FT LG.



USE #10 OR M6 HARDWARE  
TO MOUNT LIGHT



Metaphase Technologies, Inc. 211 Sinclair Road, Suite 100, Bristol, PA. 19007 215-639-8699 Fax 215-639-0977



<b>QUANTITY:</b>	Per order
<b>MATERIAL:</b>	Per BOM
<b>FINISH:</b>	Black Anodize
<b>TREATMENT:</b>	N/A

TOLERANCE/FINISH UNLESS OTHERWISE SPECIFIED				
INCHES [MM]				125√RMS [RA3.2um]
X	.X	.XX	.XXX	ANGLES ±1°
[±.76]	±.030 [±.25]	±.010 [±.13]	±.005	

THIS DOCUMENT IS THE PROPERTY OF METAPHASE TECHNOLOGIES, INC. WHOM MAY LOAN IT, SUBJECT TO RETURN UPON DEMAND. IT INCLUDES CONFIDENTIAL & PROPRIETARY INFORMATION WHICH MAY NOT BE DISCLOSED TO ANY THIRD PARTY, AND/ OR USED FOR ANY PURPOSE CONTRARY TO IT'S INTENDED USE, WITHOUT THE EXPRESSED PRIOR WRITTEN CONSENT OF METAPHASE TECHNOLOGIES, INC.

TITLE  
ISO Light- 30" Long

USED ON  
Per Customer

SIZE B DRAWING NUMBER ISO-30-1 REV F

SCALE 1:8 SHEET 1 OF 1

Approval Signature

/ /  
Date