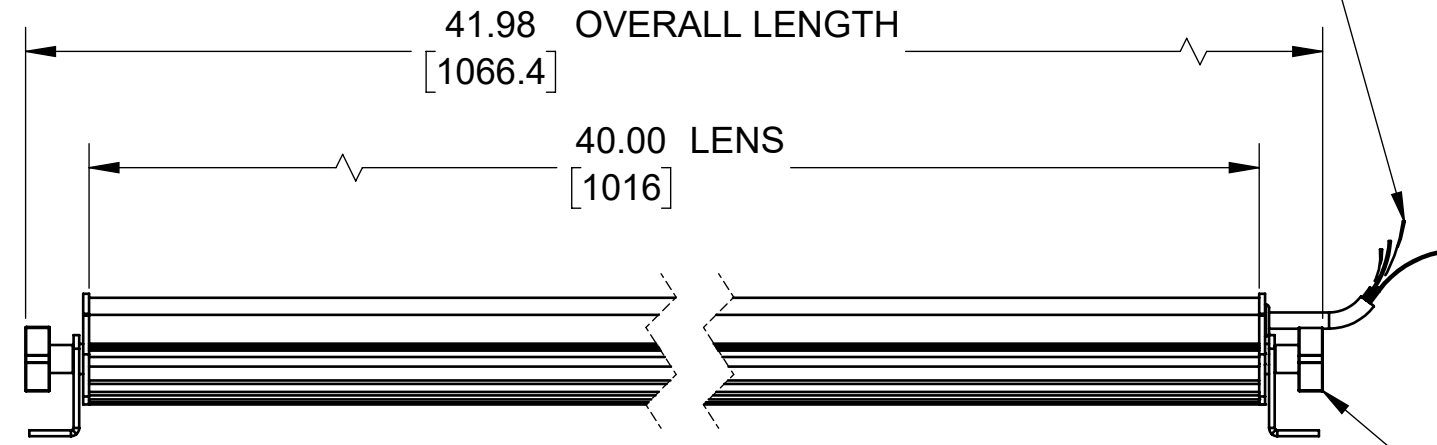
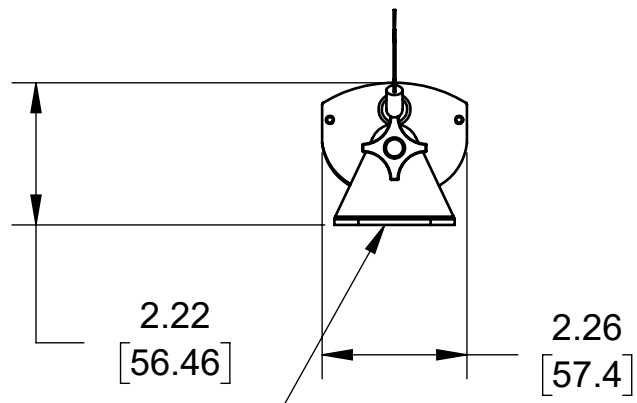


REVISIONS			
REV.	DESCRIPTION	DATE	APPROVED
A	INITIAL RELEASE	10/28/2016	

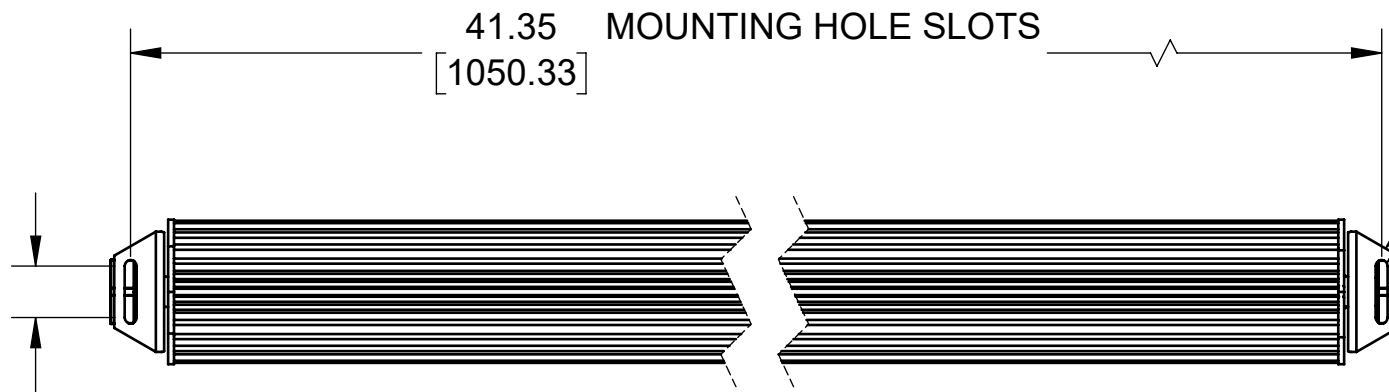
POWER CABLE
18 AWG, (4) CONDUCTOR
WITH FLYING LEADWIRE ENDS.
10 FT LG.



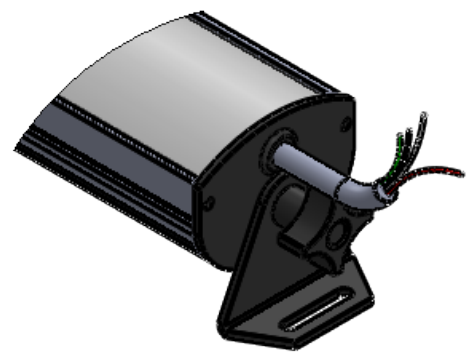
KNOBS FOR
ADJUSTING
LIGHT ANGLE



MOUNTING BRACKETS



USE #10 OR M6 HARDWARE
TO MOUNT LIGHT



.81
[20.46]
MOUNTING
SLOT

SEE SHEET 2 FOR EXPLODED VIEW AND BOM

Metaphase Technologies, Inc. 211 Sinclair Road, Suite 100, Bristol, PA. 19007 215-639-8699 Fax 215-639-0977



QUANTITY:	Per order
MATERIAL:	Per BOM
FINISH:	Black Anodize
TREATMENT:	N/A

TOLERANCE/FINISH UNLESS OTHERWISE SPECIFIED				
INCHES [MM]				
X	.X	.XX	.XXX	125√RMS [RA3.2um]
[±.76]	±.030 [±.25]	±.010 [±.13]	±.005	ANGLES ±1°

THIS DOCUMENT IS THE PROPERTY OF METAPHASE TECHNOLOGIES, INC. WHOM MAY LOAN IT, SUBJECT TO RETURN UPON DEMAND. IT INCLUDES CONFIDENTIAL & PROPRIETARY INFORMATION WHICH MAY NOT BE DISCLOSED TO ANY THIRD PARTY, AND/ OR USED FOR ANY PURPOSE CONTRARY TO IT'S INTENDED USE, WITHOUT THE EXPRESSED PRIOR WRITTEN CONSENT OF METAPHASE TECHNOLOGIES, INC.

TITLE	ISO Light- 40" Long		
USED ON	Per Customer		
SIZE	DRAWING NUMBER	REV	
B	ISO-40-1	A	
SCALE 1:8		SHEET 1 OF 1	

Approval Signature _____

/ /
Date