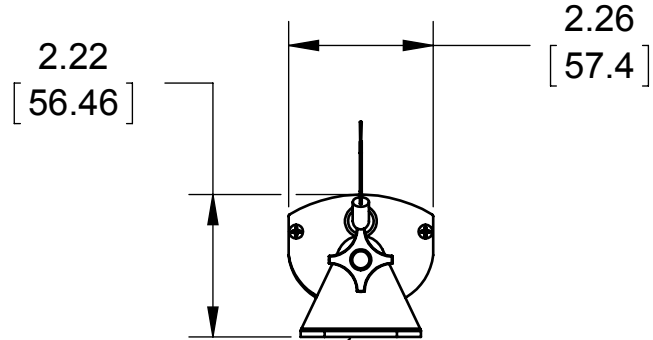
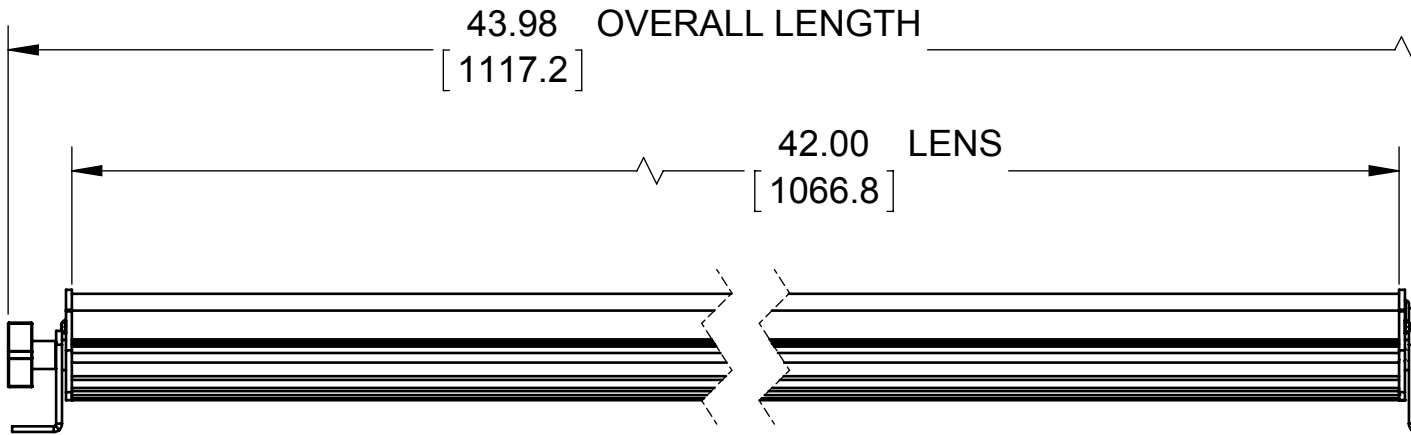


REVISIONS			
REV.	DESCRIPTION	DATE	APPROVED

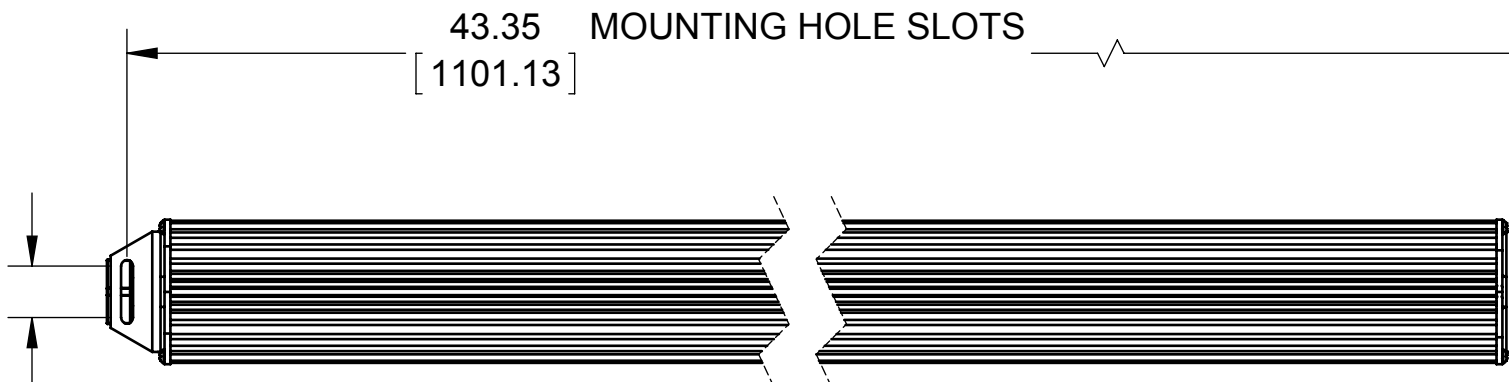
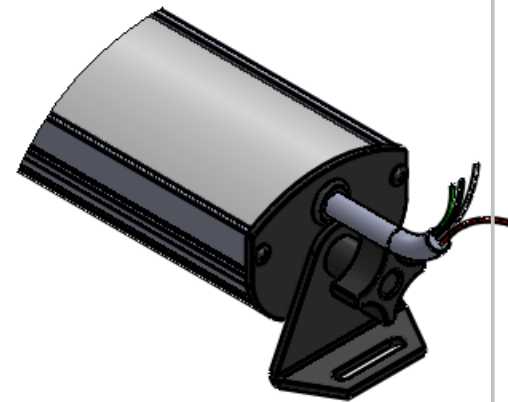
POWER CABLE  
18 AWG, (4) CONDUCTOR  
WITH FLYING LEADWIRE ENDS.  
10 FT LG.



KNOBBS FOR  
ADJUSTING  
LIGHT ANGLE

MOUNTING BRACKETS

USE #10 OR M6 HARDWARE  
TO MOUNT LIGHT



Metaphase Technologies, Inc. 211 Sinclair Road, Suite 100, Bristol, PA. 19007 215-639-8699 Fax 215-639-0977

QUANTITY: Per order

MATERIAL: Per BOM

FINISH: Black Anodize

TREATMENT: N/A

TOLERANCE/FINISH UNLESS OTHERWISE SPECIFIED				
	INCHES[MM]			125√RMS [RA3.2um]
X	.X	.XX	.XXX	±.005 ANGLES±1°
[±.76]	±.030 [±.25]	±.010 [±.13]		

THIS DOCUMENT IS THE PROPERTY OF  
**METAPHASE TECHNOLOGIES, INC.** WHOM MAY  
LOAN IT, SUBJECT TO RETURN UPON DEMAND.  
IT INCLUDES CONFIDENTIAL & PROPRIETARY  
INFORMATION WHICH MAY NOT BE DISCLOSED  
TO ANY THIRD PARTY, AND/ OR USED FOR  
ANY PURPOSE CONTRARY TO IT'S INTENDED  
USE, WITHOUT THE EXPRESSED PRIOR WRITTEN  
CONSENT OF **METAPHASE TECHNOLOGIES, INC.**

TITLE  
**ISO Light- 42" Long**

USED ON  
**Per Customer**

SIZE <b>B</b>	DRAWING NUMBER <b>ISO-42-1</b>	REV <b>A</b>
SCALE 1:3		SHEET 1 OF 2

Approval Signature \_\_\_\_\_

/ /  
Date