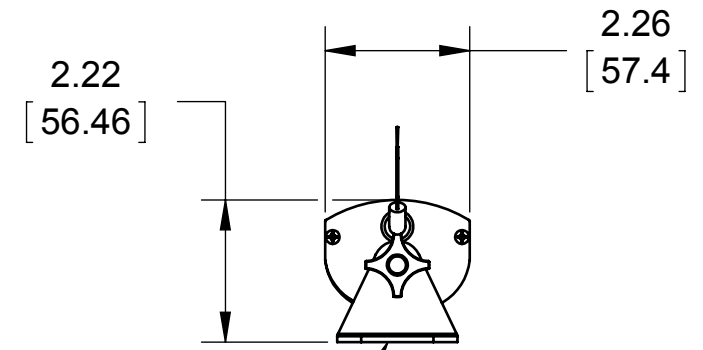
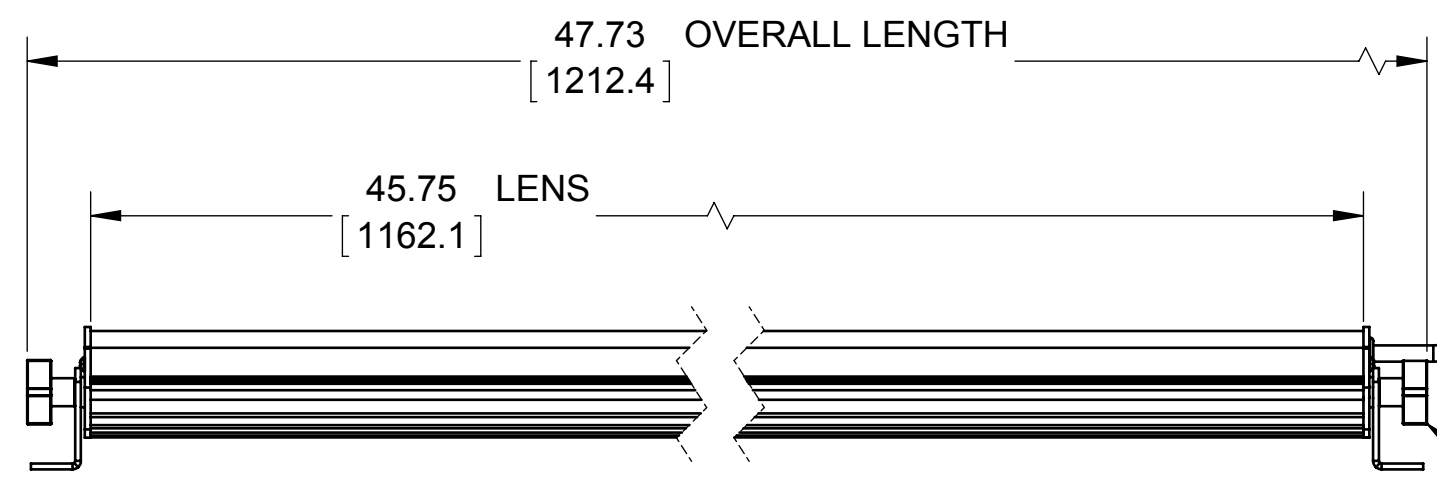
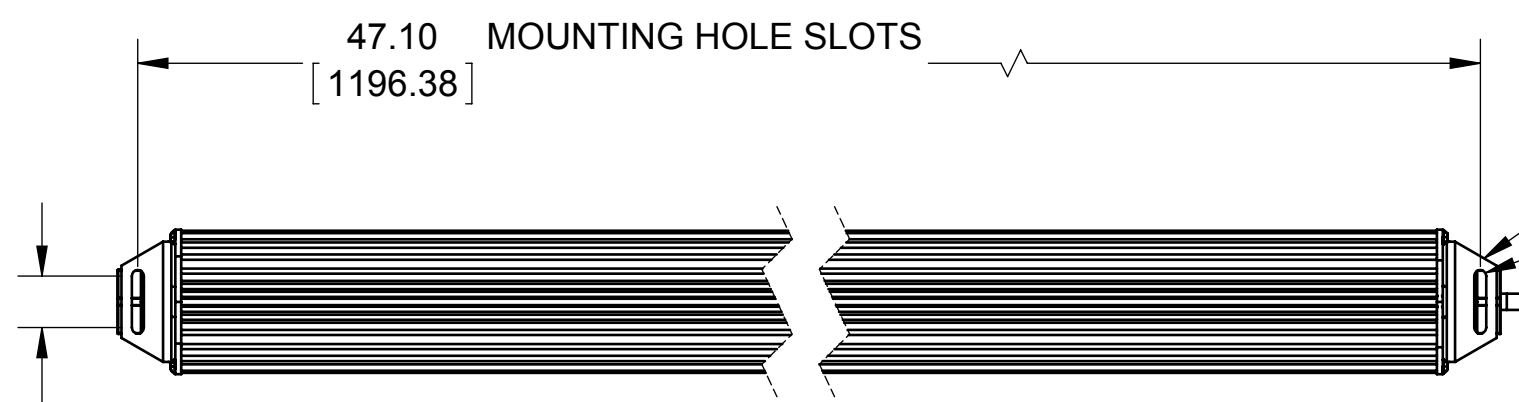


REVISIONS			
REV.	DESCRIPTION	DATE	APPROVED

POWER CABLE
18 AWG, (4) CONDUCTOR
WITH FLYING LEADWIRE ENDS.
10 FT LG.

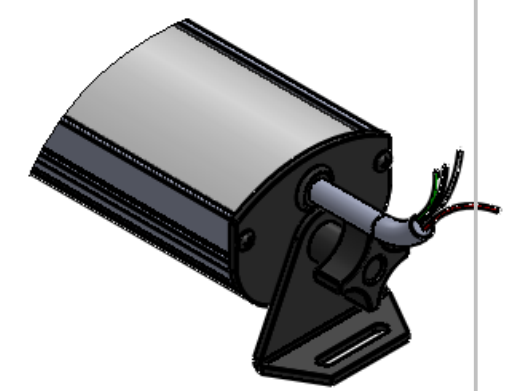


KNOBS FOR
ADJUSTING
LIGHT ANGLE



MOUNTING BRACKETS

USE #10 OR M6 HARDWARE
TO MOUNT LIGHT



Metaphase Technologies, Inc. 211 Sinclair Road, Suite 100, Bristol, PA. 19007 215-639-8699 Fax 215-639-0977

QUANTITY: Per order

MATERIAL: Per BOM

FINISH: Black Anodize

TREATMENT: N/A

TOLERANCE/FINISH UNLESS OTHERWISE SPECIFIED				
	INCHES[MM]			125√RMS [RA3.2um]
X	.X	.XX	.XXX	
[±.76]	±.030 [±.25]	±.010 [±.13]	±.005	ANGLES±1°

THIS DOCUMENT IS THE PROPERTY OF
METAPHASE TECHNOLOGIES, INC. WHOM MAY
LOAN IT, SUBJECT TO RETURN UPON DEMAND.
IT INCLUDES CONFIDENTIAL & PROPRIETARY
INFORMATION WHICH MAY NOT BE DISCLOSED
TO ANY THIRD PARTY, AND/ OR USED FOR
ANY PURPOSE CONTRARY TO IT'S INTENDED
USE, WITHOUT THE EXPRESSED PRIOR WRITTEN
CONSENT OF **METAPHASE TECHNOLOGIES, INC.**

Metaphase		
TITLE ISO Light- 48" Long		
USED ON Per Customer		
SIZE B	DRAWING NUMBER ISO-48-1	REV A
SCALE 1:3		SHEET 1 OF 2

Approval Signature _____ / / Date