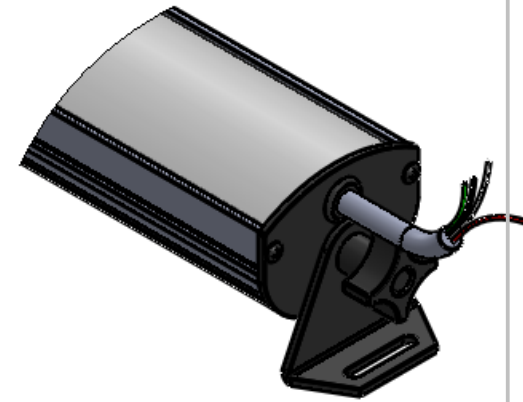
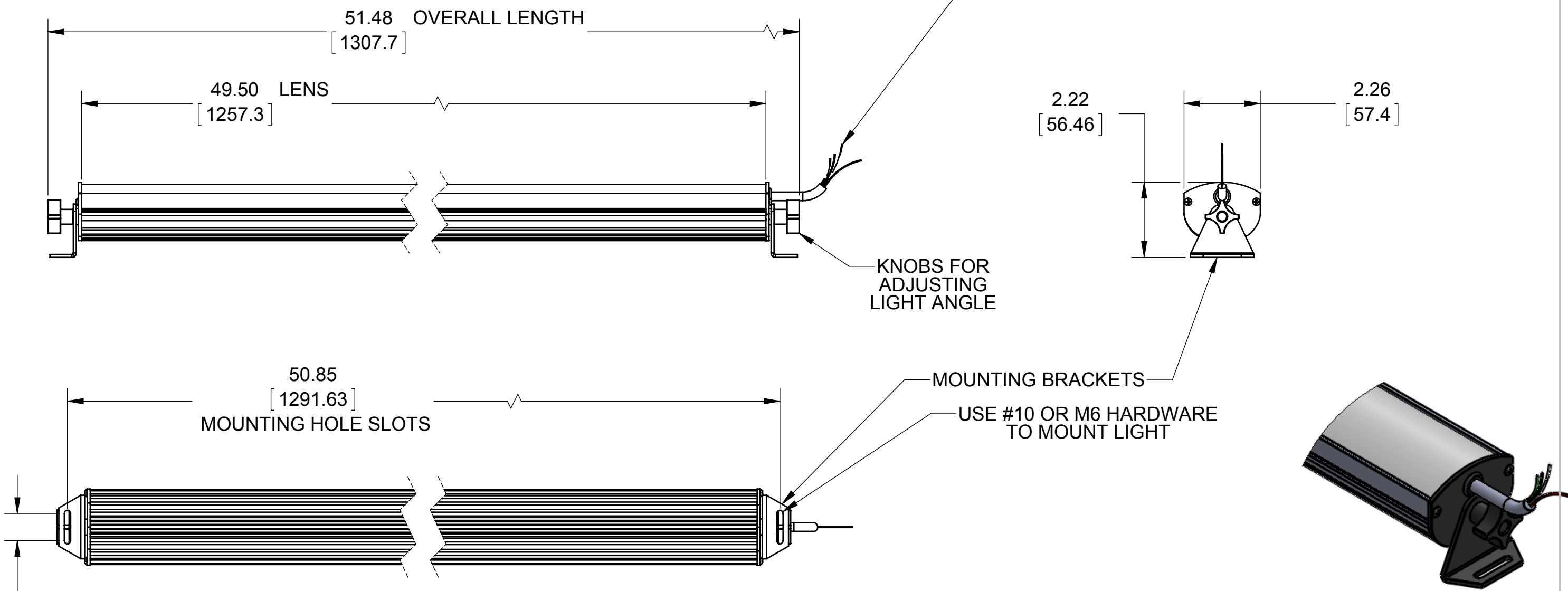


REVISIONS			
REV.	DESCRIPTION	DATE	APPROVED

POWER CABLE
18 AWG, (4) CONDUCTOR
WITH FLYING LEADWIRE ENDS.
10 FT LG.



Metaphase Technologies, Inc. 211 Sinclair Road, Suite 100, Bristol, PA. 19007 215-639-8699 Fax 215-639-0977

QUANTITY: Per order

MATERIAL: Per BOM

FINISH: Black Anodize

TREATMENT: N/A

TOLERANCE/FINISH UNLESS OTHERWISE SPECIFIED				
	INCHES[MM]			125√RMS [RA3.2um]
X	.X	.XX	.XXX	±.005 ANGLES±1°
[±.76]	±.030 [±.25]	±.010 [±.13]		

THIS DOCUMENT IS THE PROPERTY OF METAPHASE TECHNOLOGIES, INC. WHOM MAY LOAN IT, SUBJECT TO RETURN UPON DEMAND. IT INCLUDES CONFIDENTIAL & PROPRIETARY INFORMATION WHICH MAY NOT BE DISCLOSED TO ANY THIRD PARTY, AND/ OR USED FOR ANY PURPOSE CONTRARY TO IT'S INTENDED USE, WITHOUT THE EXPRESSED PRIOR WRITTEN CONSENT OF METAPHASE TECHNOLOGIES, INC.



TITLE ISO Light- 49" Long		
USED ON Per Customer		
SIZE B	DRAWING NUMBER ISO-49-1	REV A
SCALE 1:3		SHEET 1 OF 2

Approval Signature _____

/ /
Date