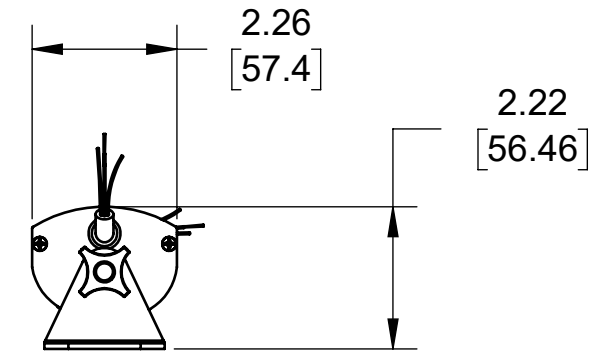
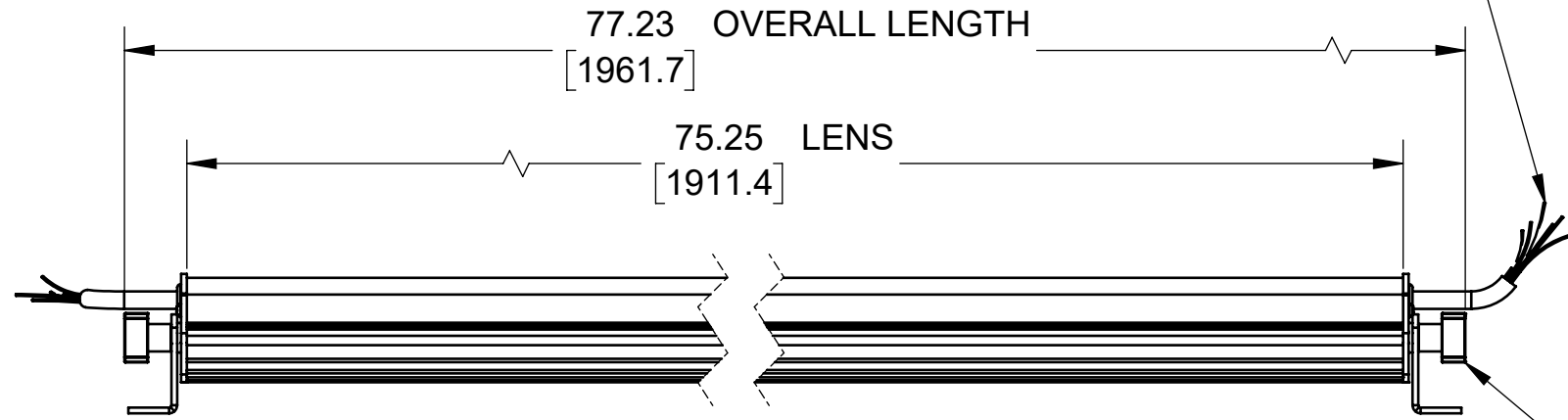
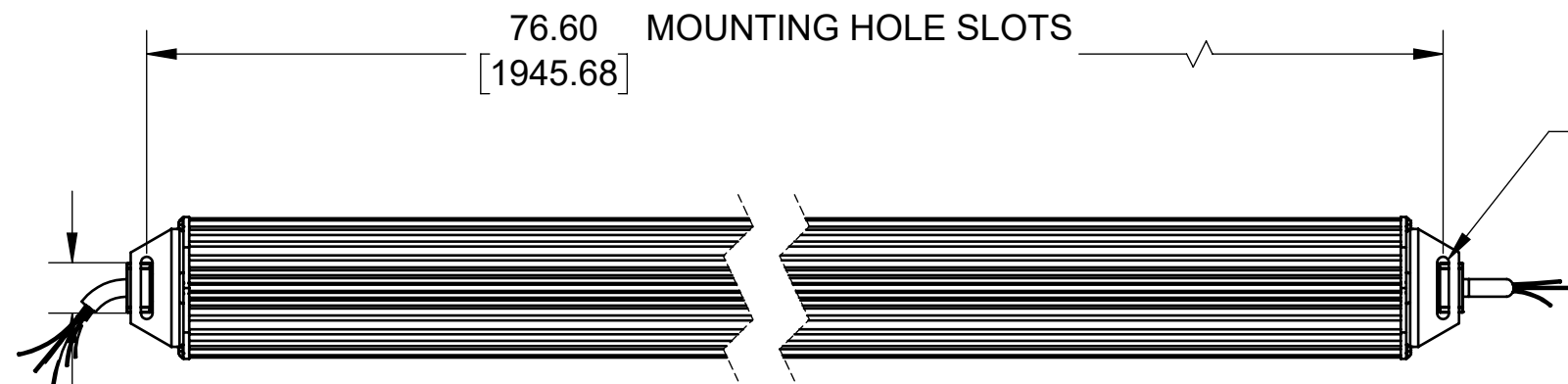


| REVISIONS | | | |
|-----------|--------------------|-----------|----------|
| REV. | DESCRIPTION | DATE | APPROVED |
| A | INITIAL RELEASE | 1/2/2016 | |
| B | POWER CABLE UPDATE | 6/20/2017 | |

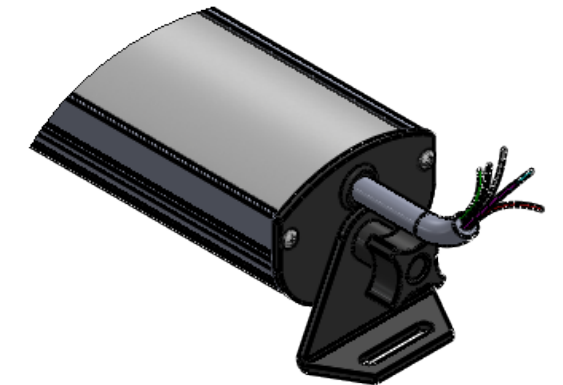
2X POWER CABLE
18 AWG, (6) CONDUCTOR
WITH FLYING LEADWIRE ENDS.
20 FT LG.



KNOBS FOR
ADJUSTING
LIGHT ANGLE



USE #10 OR M6 HARDWARE
TO MOUNT LIGHT



.81
[20.46]
MOUNTING
SLOT

Metaphase Technologies, Inc. 211 Sinclair Road, Suite 100, Bristol, PA. 19007 215-639-8699 Fax 215-639-0977



SEE SHEET 2 FOR EXPLODED VIEW AND BOM

QUANTITY: Per order

MATERIAL: Per BOM

FINISH: Black Anodize

TREATMENT: N/A

TOLERANCE/FINISH
UNLESS OTHERWISE SPECIFIED

| INCHES [MM] | | | | 125√RMS [RA3.2um] |
|-------------|-----------------|-----------------|-------|----------------------|
| X | .X | .XX | .XXX | ANGLES ±1° |
| [±.76] | ±.030 [±.25] | ±.010 [±.13] | ±.005 | |

THIS DOCUMENT IS THE PROPERTY OF
METAPHASE TECHNOLOGIES, INC. WHOM MAY
LOAN IT, SUBJECT TO RETURN UPON DEMAND.
IT INCLUDES CONFIDENTIAL & PROPRIETARY
INFORMATION WHICH MAY NOT BE DISCLOSED
TO ANY THIRD PARTY, AND/ OR USED FOR
ANY PURPOSE CONTRARY TO IT'S INTENDED
USE, WITHOUT THE EXPRESSED PRIOR WRITTEN
CONSENT OF **METAPHASE TECHNOLOGIES, INC.**

TITLE
ISO Light- 75" Long

USED ON
Per Customer

| | | |
|------------------|-----------------------------------|-----------------|
| SIZE B | DRAWING NUMBER ISO-75-1 | REV B |
| SCALE 1:8 | | SHEET 1 OF 1 |

Approval Signature

/ /
Date