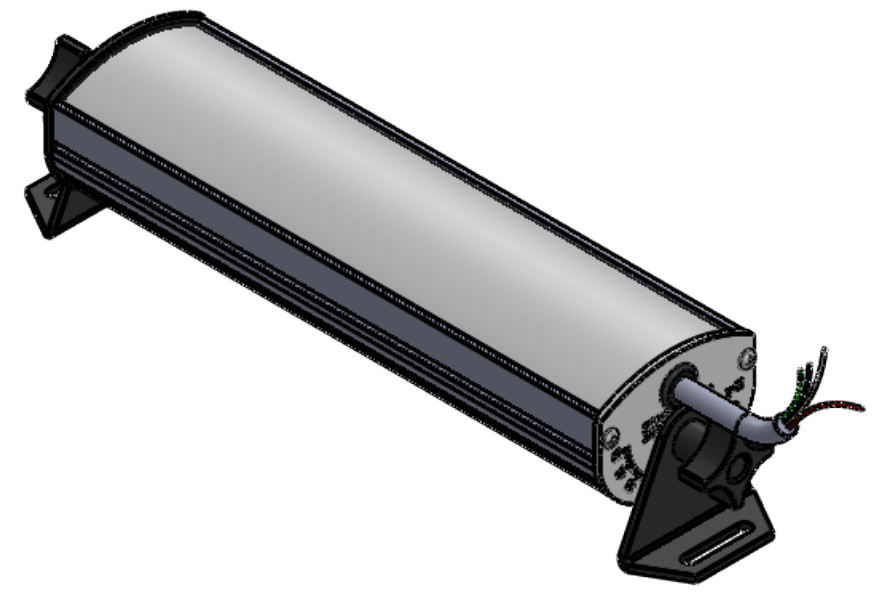
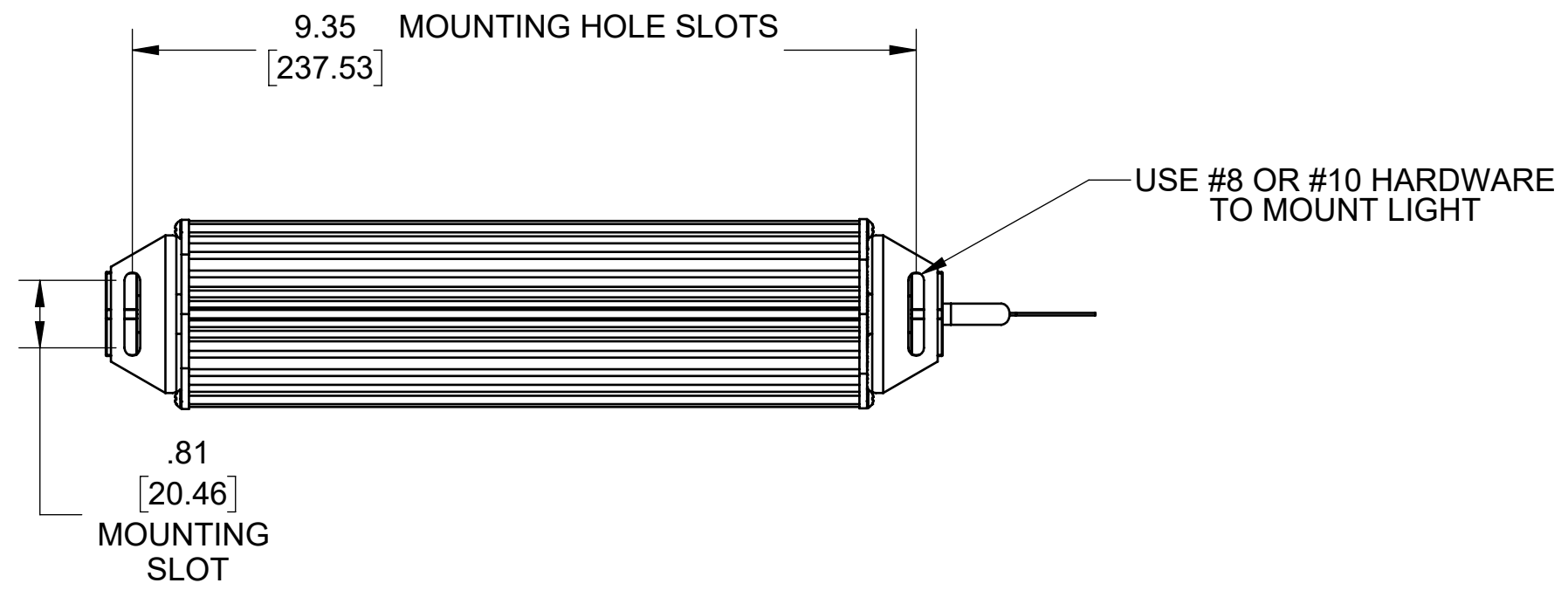
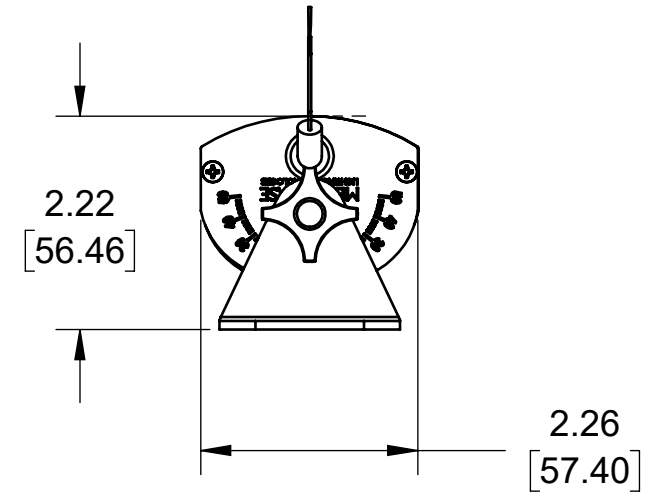
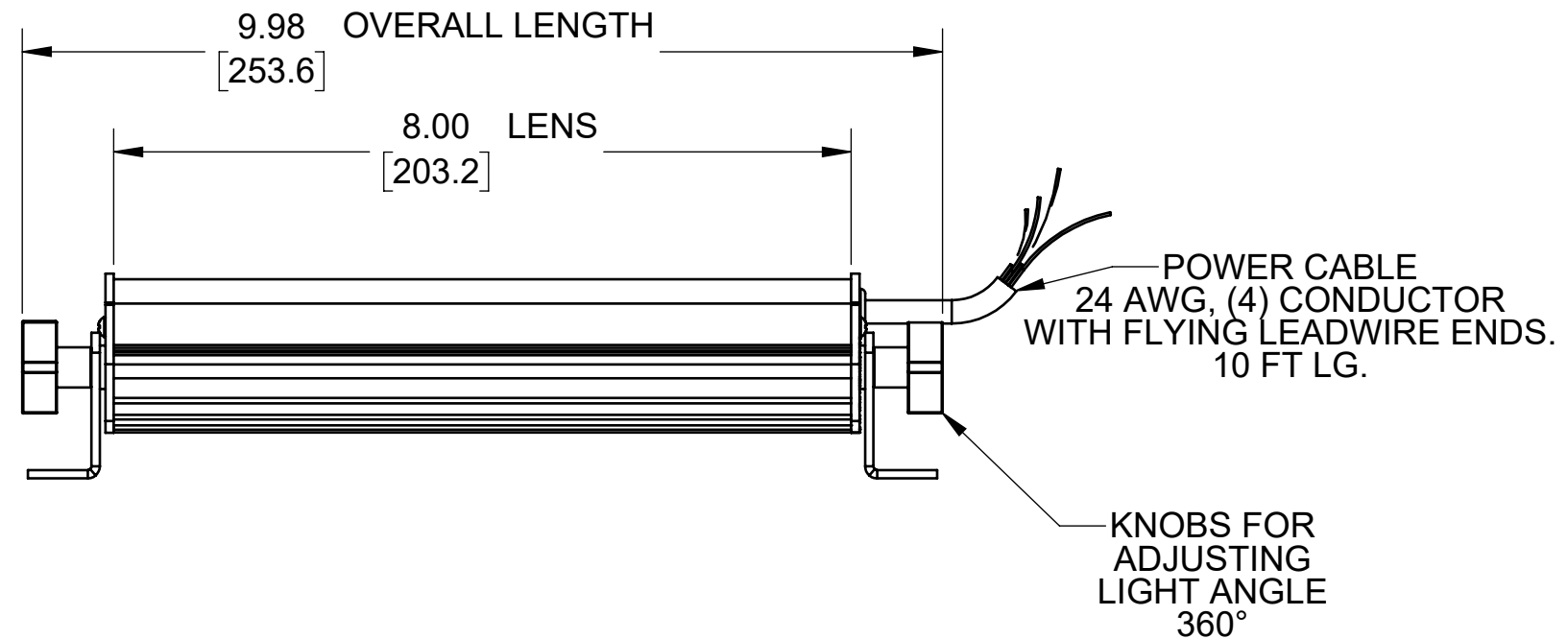


REVISIONS			
REV.	DESCRIPTION	DATE	APPROVED
A	INITIAL RELEASE	3/19/2014	
B	UPDATED MOUNTING BRACKETS, END PLATES, PEM STUDS, NYLON WASHER, KNOB, GROMMET AND POWER CABLE TO LATEST DESIGN.	3/19/2014	
C	UPDATE CABLE PART NUMBER	6/8/2017	



SEE SHEET 2 FOR EXPLODED VIEW AND BOM.

Metaphase Technologies, Inc. 211 Sinclair Road, Suite 100, Bristol, PA. 19007 215-639-8699 Fax 215-639-0977			
QUANTITY: Per order	TOLERANCE/FINISH UNLESS OTHERWISE SPECIFIED	TITLE ISO Light; 8" [203]	
MATERIAL: Per BOM	INCHES [MM]	USED ON Per Customer	
FINISH: Black Anodize	X .X .XX .XXX 125√RMS [RA3.2um]	SIZE B	DRAWING NUMBER ISO-8-1
TREATMENT: N/A	[±.76] ±.030 [±.25] ±.010 [±.13] ±.005 ANGLES ±1°	SCALE 1:8	REV C
Approval Signature _____	Date / / _____	SHEET 1 OF 1	

THIS DOCUMENT IS THE PROPERTY OF METAPHASE TECHNOLOGIES, INC. WHOM MAY LOAN IT, SUBJECT TO RETURN UPON DEMAND. IT INCLUDES CONFIDENTIAL & PROPRIETARY INFORMATION WHICH MAY NOT BE DISCLOSED TO ANY THIRD PARTY, AND/ OR USED FOR ANY PURPOSE CONTRARY TO IT'S INTENDED USE, WITHOUT THE EXPRESSED PRIOR WRITTEN CONSENT OF METAPHASE TECHNOLOGIES, INC.