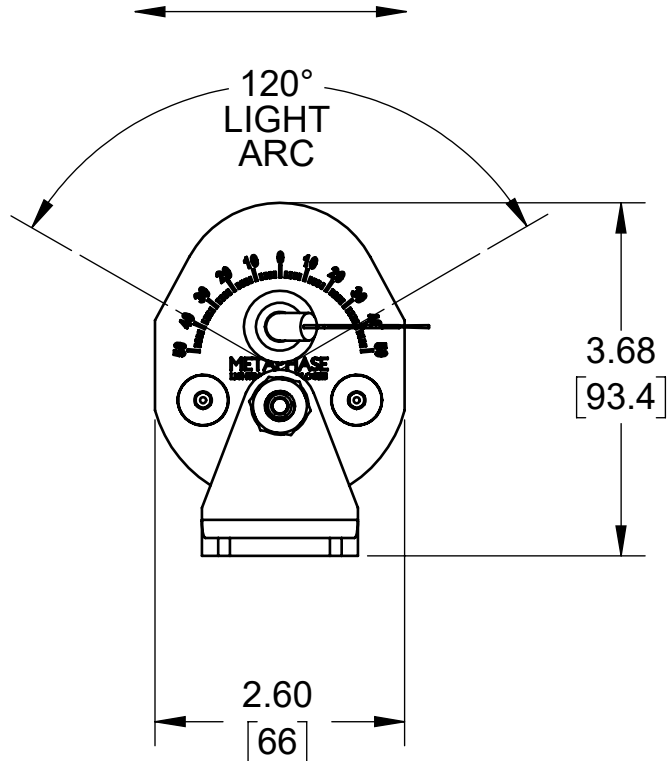
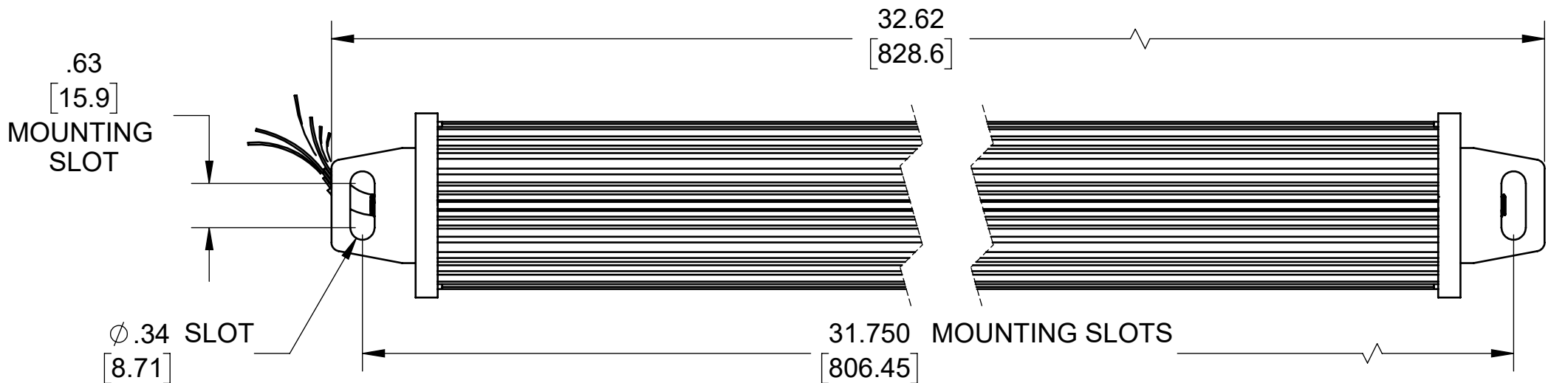
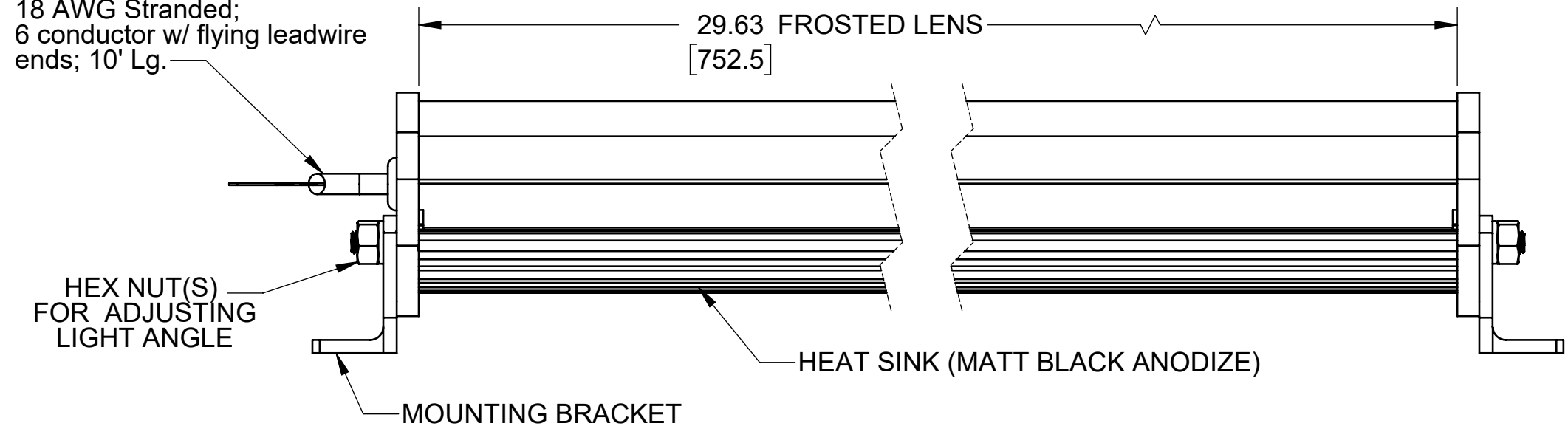


REVISIONS			
REV.	DESCRIPTION	DATE	APPROVED
A	INITIAL RELEASE	10/14/2013	
B	REPLACED ACORN NUTS AND STUDS- SEE SHEET 2	10/26/2013	

LIGHT HOUSING IS ADJUSTABLE UP TO 95° IN EACH DIRECTION.



POWER CABLE
18 AWG Stranded;
6 conductor w/ flying leadwire
ends; 10' Lg.



Metaphase Technologies, Inc. 211 Sinclair Road, Suite 100, Bristol, PA. 19007 215-639-8699 Fax 215-639-0977



SEE SHEET 2 FOR EXPLODED VIEW AND BOM

QUANTITY:	Per order	TOLERANCE/FINISH UNLESS OTHERWISE SPECIFIED				
MATERIAL:	See BOM	INCHES [MM]				
FINISH:	Matt Black Anodize	X	.X	.XX	.XXX	125√RMS [RA3.2um]
TREATMENT:	N/A	[±.76]	[±.030 [±.25]	[±.010 [±.13]	±.005	ANGLES ±1°

THIS DOCUMENT IS THE PROPERTY OF METAPHASE TECHNOLOGIES, INC. WHOM MAY LOAN IT, SUBJECT TO RETURN UPON DEMAND. IT INCLUDES CONFIDENTIAL & PROPRIETARY INFORMATION WHICH MAY NOT BE DISCLOSED TO ANY THIRD PARTY, AND/ OR USED FOR ANY PURPOSE CONTRARY TO IT'S INTENDED USE, WITHOUT THE EXPRESSED PRIOR WRITTEN CONSENT OF METAPHASE TECHNOLOGIES, INC.

TITLE		ISO2 Light-30" Long	
USED ON		Per customer	
SIZE	DRAWING NUMBER	REV	
B	ISO2-30-1	B	
SCALE 1:12		SHEET 1 OF 1	

Approval Signature

/ /
Date