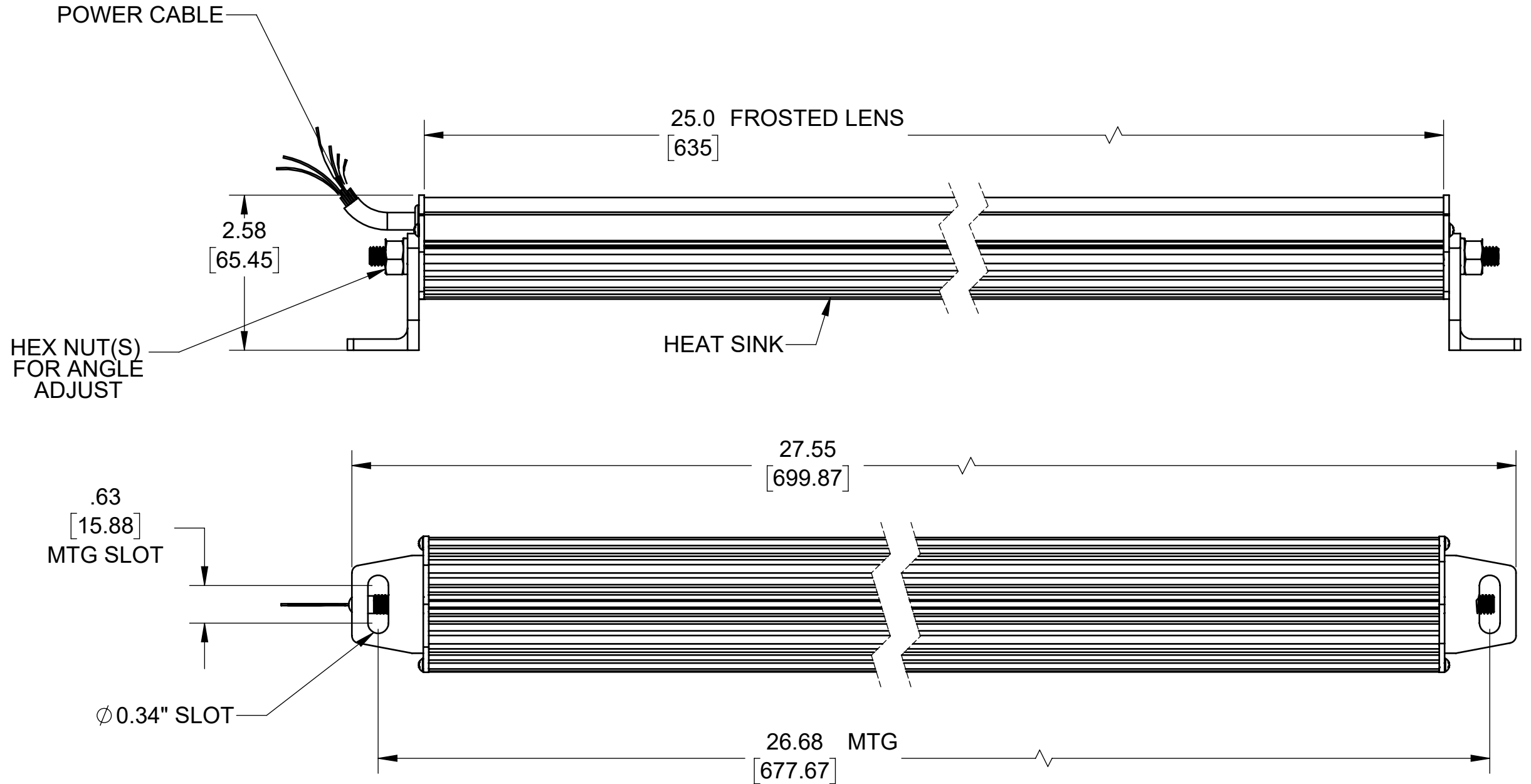
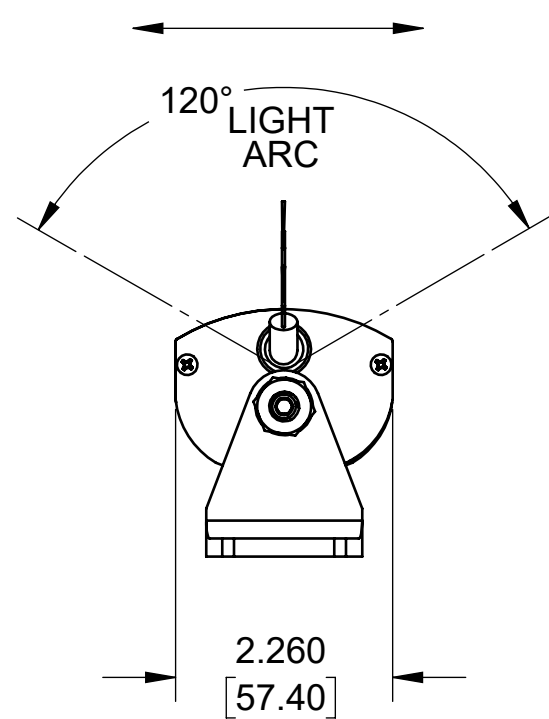


REVISIONS			
REV.	DESCRIPTION	DATE	APPROVED
A	INITIAL RELEASE	9/21/2018	

LIGHT HOUSING IS ADJUSTABLE UP TO 95° IN EACH DIRECTION.



SEE SHEET 2 FOR EXPLODED VIEW AND BOM

Approval Signature

/ /  
Date

Metaphase Technologies, Inc. 211 Sinclair Road, Suite 100, Bristol, PA. 19007 215-639-8699 Fax 215-639-0977

<b>QUANTITY:</b>	Per order
<b>MATERIAL:</b>	See BOM
<b>FINISH:</b>	Matt Black Anodize
<b>TREATMENT:</b>	N/A

TOLERANCE/FINISH UNLESS OTHERWISE SPECIFIED				
INCHES [MM]				
X	.X	.XX	.XXX	125√RMS [RA3.2um]
[±.76]	±.030 [±.25]	±.010 [±.13]	±.005	ANGLES ±1°

THIS DOCUMENT IS THE PROPERTY OF METAPHASE TECHNOLOGIES, INC. WHOM MAY LOAN IT, SUBJECT TO RETURN UPON DEMAND. IT INCLUDES CONFIDENTIAL & PROPRIETARY INFORMATION WHICH MAY NOT BE DISCLOSED TO ANY THIRD PARTY, AND/ OR USED FOR ANY PURPOSE CONTRARY TO IT'S INTENDED USE, WITHOUT THE EXPRESSED PRIOR WRITTEN CONSENT OF METAPHASE TECHNOLOGIES, INC.



TITLE		
ISO2-RGBIR Light-25" Long		
USED ON		
Per customer		
SIZE	DRAWING NUMBER	REV
B	ISO2-RGBIR-24-25-1	A
SCALE 1:12		SHEET 1 OF 1