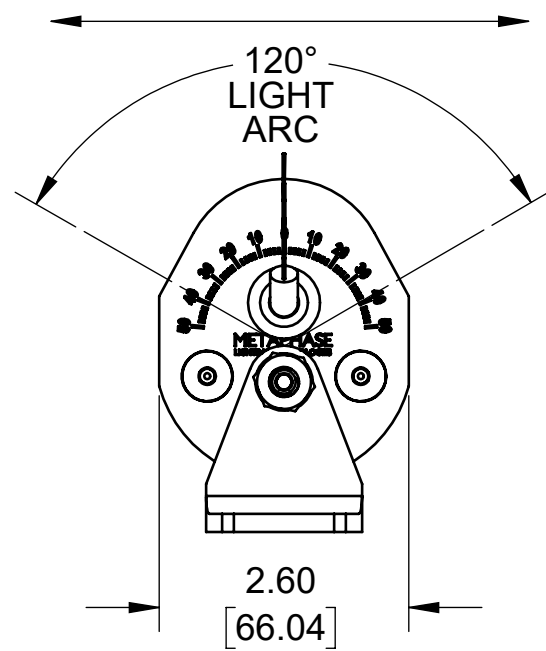


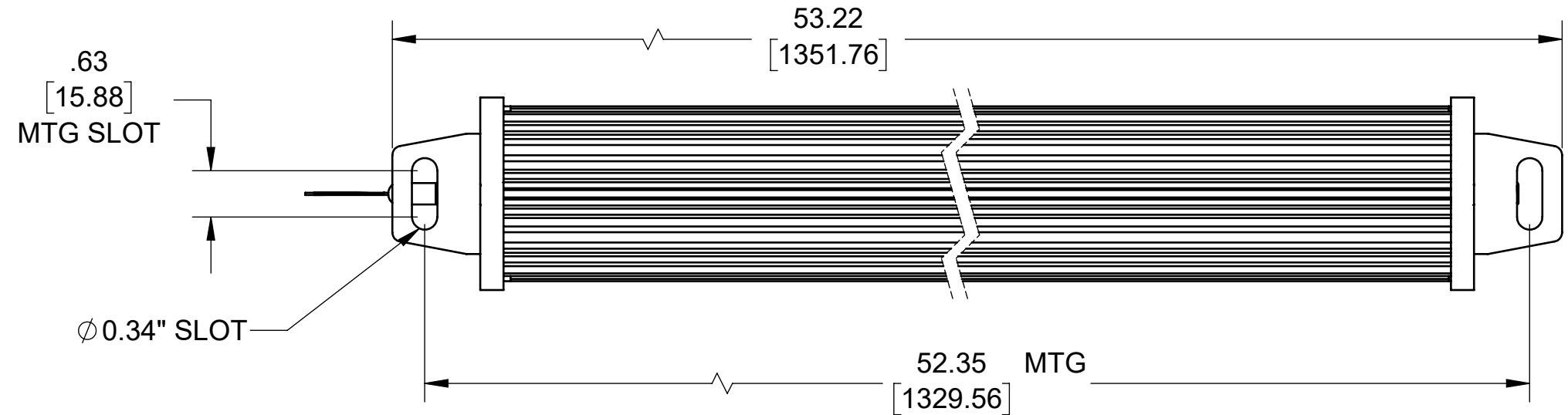
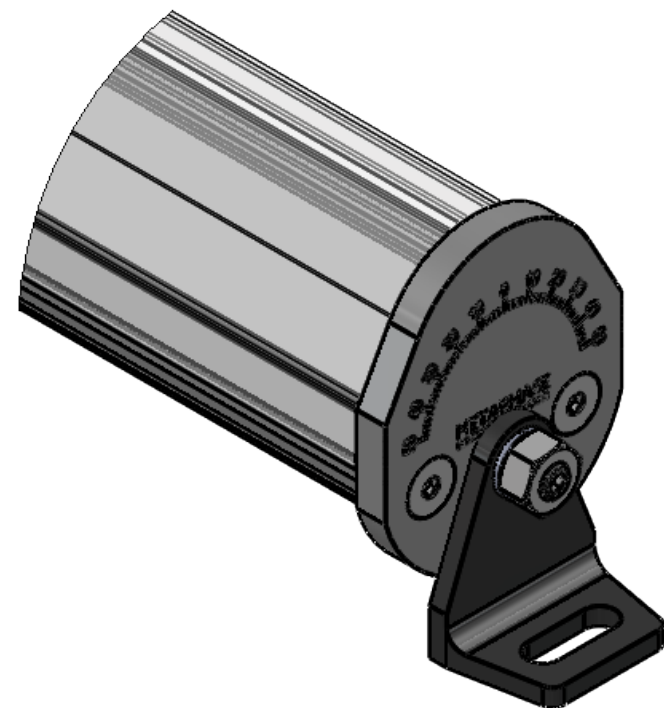
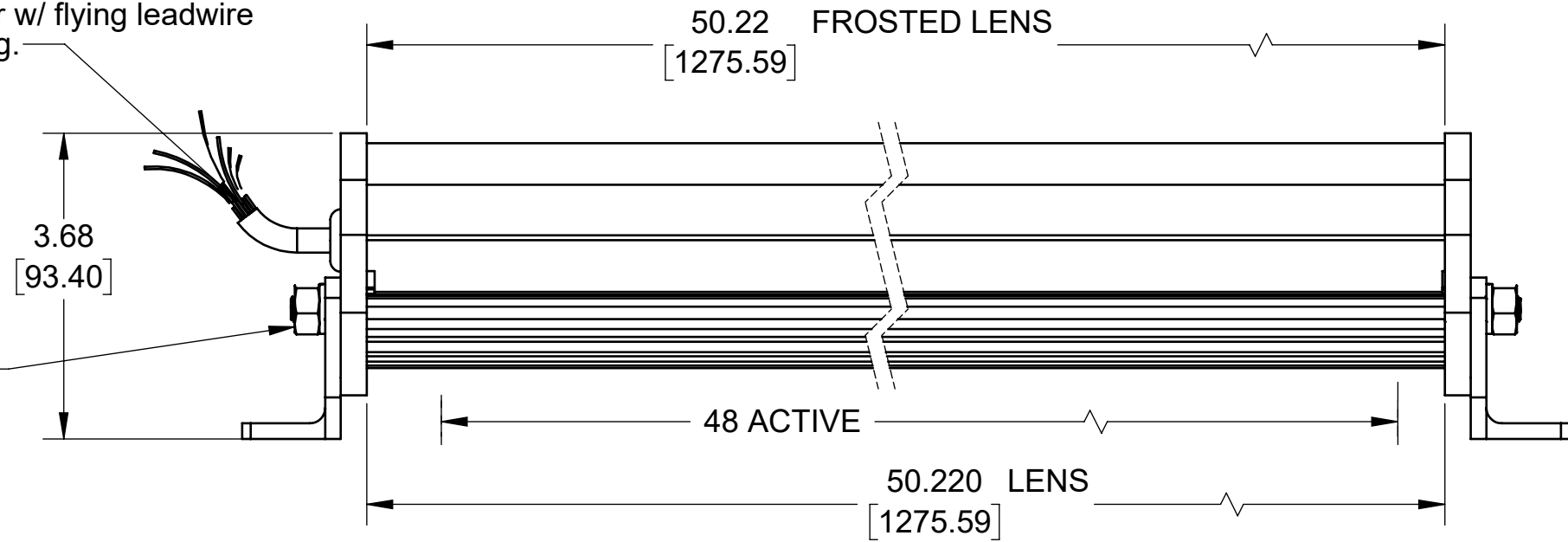
REVISIONS			
REV.	DESCRIPTION	DATE	APPROVED
A	INITIAL RELEASE	9/6/2018	

LIGHT HOUSING IS ADJUSTABLE UP TO 95° IN EACH DIRECTION.



POWER CABLE
18 AWG Stranded;
6 conductor w/ flying leadwire
ends; 10' Lg.

HEX NUT(S)
FOR ADJUSTING
LIGHT ANGLE



Metaphase Technologies, Inc. 211 Sinclair Road, Suite 100, Bristol, PA. 19007 215-639-8699 Fax 215-639-0977



QUANTITY: Per order

MATERIAL: See BOM

FINISH: Matt Black Anodize

TREATMENT: N/A

TOLERANCE/FINISH UNLESS OTHERWISE SPECIFIED				
INCHES [MM]				
X	.X	.XX	.XXX	125√RMS [RA3.2um]
[±.76]	±.030 [±.25]	±.010 [±.13]	±.005	ANGLES ±1°

THIS DOCUMENT IS THE PROPERTY OF METAPHASE TECHNOLOGIES, INC. WHOM MAY LOAN IT, SUBJECT TO RETURN UPON DEMAND. IT INCLUDES CONFIDENTIAL & PROPRIETARY INFORMATION WHICH MAY NOT BE DISCLOSED TO ANY THIRD PARTY, AND/ OR USED FOR ANY PURPOSE CONTRARY TO IT'S INTENDED USE, WITHOUT THE EXPRESSED PRIOR WRITTEN CONSENT OF METAPHASE TECHNOLOGIES, INC.

TITLE
ISO2-RGBIR Light-48" Long

USED ON
Per customer

SIZE B DRAWING NUMBER ISO2-RGBIR-24-48-1 REV A
SCALE 1:12 SHEET 1 OF 1

Approval Signature

/ /
Date