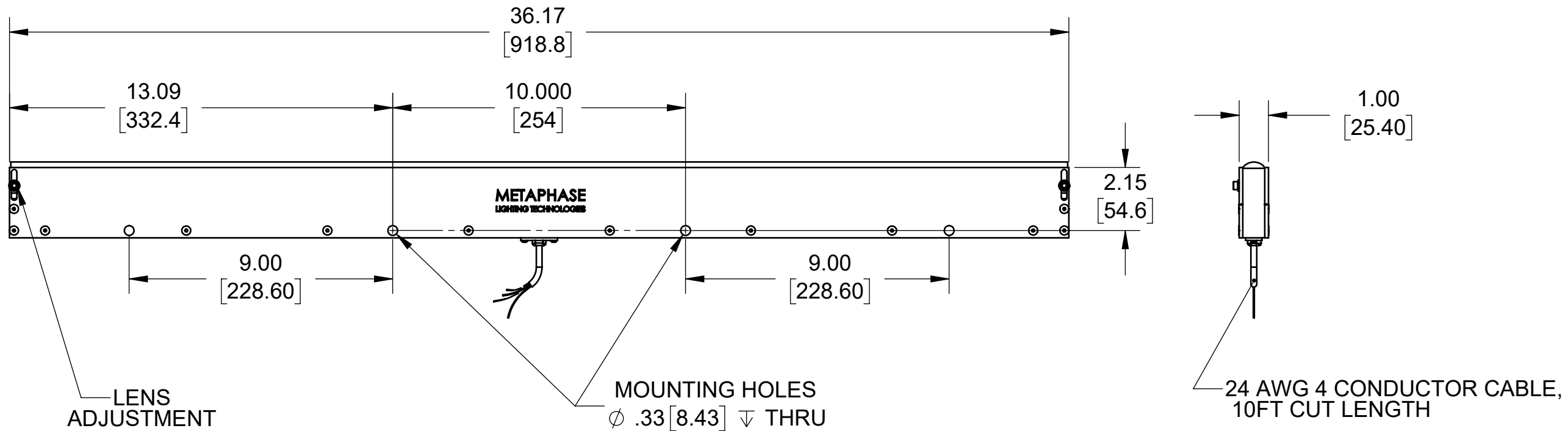
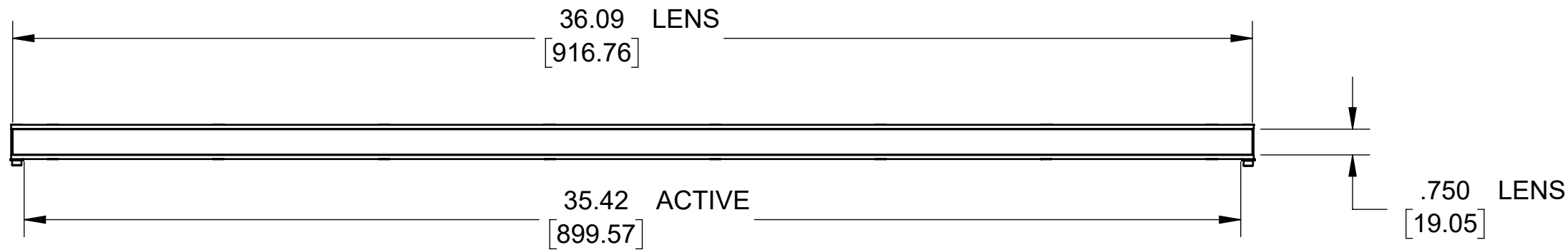


| REVISIONS | | | |
|-----------|-----------------|-----------|----------|
| REV. | DESCRIPTION | DATE | APPROVED |
| A | INITIAL RELEASE | 1/28/2019 | |



Metaphase Technologies, Inc. 211 Sinclair Road, Suite 100, Bristol, PA. 19007 215-639-8699 Fax 215-639-0977



SEE SHEET 2 FOR EXPLODED VIEW AND BOM

QUANTITY: Per order

TOLERANCE/FINISH
UNLESS OTHERWISE SPECIFIED

THIS DOCUMENT IS THE PROPERTY OF METAPHASE TECHNOLOGIES, INC. WHOM MAY LOAN IT, SUBJECT TO RETURN UPON DEMAND. IT INCLUDES CONFIDENTIAL & PROPRIETARY INFORMATION WHICH MAY NOT BE DISCLOSED TO ANY THIRD PARTY, AND/ OR USED FOR ANY PURPOSE CONTRARY TO IT'S INTENDED USE, WITHOUT THE EXPRESSED PRIOR WRITTEN CONSENT OF METAPHASE TECHNOLOGIES, INC.

TITLE
Top Assembly - 35" Line Light

MATERIAL: See BOM

| INCHES [MM] | | | | 125√RMS [RA3.2um] |
|-------------|--------------|--------------|-------|-------------------|
| X | .X | .XX | .XXX | ANGLES ±1° |
| [±.76] | ±.030 [±.25] | ±.010 [±.13] | ±.005 | |

USED ON
Per customer

FINISH: Black Anodize

TREATMENT: N/A

SIZE B DRAWING NUMBER LL804-1 REV A
SCALE 1:4 SHEET 1 OF 1

Approval Signature

/ /
Date