

MB-AFSL105

This LED light casts a bright, crisp beam of light that's focus-adjustable from 4" to 7" away. Use this affordable light whenever you need a collimated light with a tightly focused beam. Without any additional focusing our Mini-spotlight is designed to cast a round pattern of light about the diameter of a nickel. Our Mini-spotlights feature a built in 24-volt driver, thermal management technology and a custom designed three lens relay with coated optics for perfect beam uniformity.



FEATURES

- Homogenous light output that provides high intensity illumination
- Tight, focused, adjustable beam of light
- LED thermal management for stable performance
- Custom bracket allows for precise positioning
- Flicker free performance and instant start up with Metaphase analog driver technology
- Economical...An ideal light for many applications
- Built-in Constant Current Driver with 0 – 10VDC intensity control
- Compatible with DDC-3 and ILD-35

WAVELENGTHS

Order ID	Description / nanometers
W	White (6000K), Nominal
R	Red / 630nm
G	Green / 530nm
B	Blue / 470nm
IR850	Infrared / 850nm
IR940	Infrared / 940nm
UV395	Ultraviolet Long / 395nm

GENERAL SPECIFICATIONS

Power Source:	24VDC ±5%
Cable (Standard):	10-foot cable with flying leads
Housing:	Black Anodized Aluminum
Ambient Temp:	-20°C to 40°C
Lifetime Expectancy:	75,000 hours (except UV)

MB-AFSL105

Adjustable Focus Mini-Spotlight							
MODEL	Dimensions Length x Diameter Inches (mm)	Lens Diameter Inches (mm)	Weight lbs (grams)	Cable QTY	Cable Length	Cable Description	Maximum Input Current @24VDC
MB-AFSL105	2.41" x Ø1.28" (61.2mm x Ø32.4mm)	Ø.37" (Ø9.3mm)	.36 (160)	1	10ft	24 AWG 4 Wire	.15A

Wiring (4 conductor with Intensity Control)**	
Wire Color	Function
RED	+24VDC
WHITE	0-10VDC INTENSITY CONTROL
BLACK	GROUND (24V RTN)
GREEN	SIGNAL GROUND

Wiring (4 conductor without Intensity Control)	
Wire Color	Function
RED	+24VDC
WHITE	+24VDC
BLACK	GROUND (24V RTN)
GREEN	GROUND (24V RTN)

M12 (5 position male)**	
Pin #	Function
1	+24VDC
2	0-10VDC Intensity Control
3	GROUND (24V RTN)
4	SIGNAL GROUND
5	No Connection

The M12 connector option is not recommended for lights rated more than 4 amps

Wiring with ULC-2	
Wire Color	Function
RED, WHITE (+)	LED INPUT
BLACK, GREEN (-)	

Terminated within a 2 position ULC-2 output connector
(Phoenix Contact P/N: BCP-508-2)

**Note: The 0-10VDC Intensity Control input can accept voltages from 0-24VDC where the light will operate at full intensity in the 10-24VDC range. The light is proportionally dimmer for any Intensity Control voltage less than 10VDC and the light is OFF at approximately 0V or not connected (floating).

MB-AFSL105

PART NUMBER KEY									
MODEL	SIZE	-	WAVELENGTH	-	DRIVER* (most common)	-	CABLE LENGTH	-	CONN.** (most common)
MB-AFSL	XXX	-	XXXXX	-	XXXXXXXX	-	XXX	-	XXXX
MB-AFSL	105		W (White 6000K, Nominal) R (Red 630nm) G (Green 530nm) B (Blue 470nm) IR850 (Infrared 850nm) IR940 (Infrared 940nm) UV395 (UV Long 395nm)		24Z 24NZ 24-ILSXXX 24-ILD U¹		5M 10M Length can be customized: ex. 7M=7meters Select or leave blank for 3 meters		M12D^{1 2} Select or leave blank for flying leads
Example 1: MB-AFSL105-W-24Z Example 2: MB-AFSL105-R-24-ILD					¹ Not available in lights exceeding 4A input current ² Default cable length for an M12D connector is 19 inches				

Contact Metaphase Technologies or your local representative for options such as custom diffusers, lenses, polarizers, IP-rated enclosures for harsh environments, higher intensity, custom wavelengths, higher uniformity, etc. Not all options are available for all lights.

Link to [*Driver Options Key](#) / [**Connector Options Key](#)

MB-AFSL105

Sample Part Number: **MB-AFSL105-W-24Z**

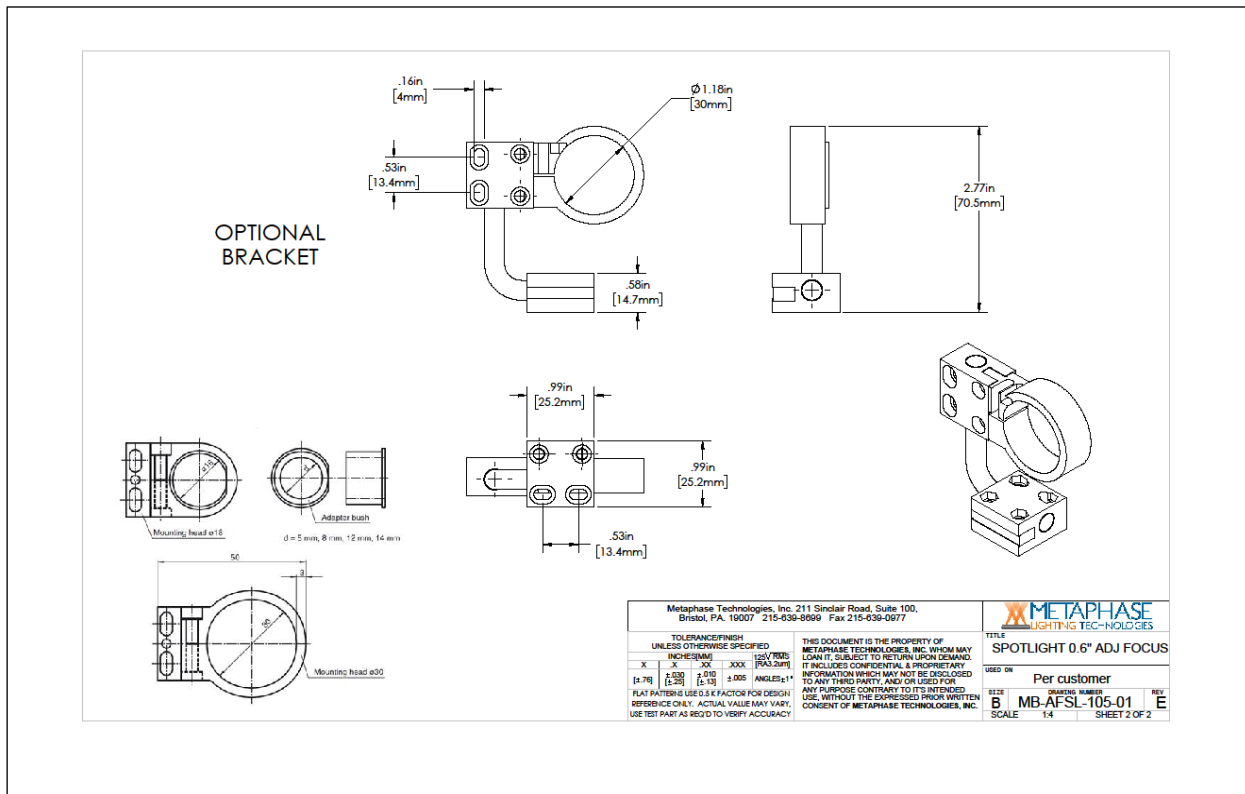
REVISIONS				
ZONE	REV.	DESCRIPTION	DATE	APPROVED
	A	REVISED AND REDRAWN, K.W	2/11/2011	
	B	REVISED DRAWING, K.W	5/17/2012	
	C	Revised and Reformatted, Created Sub Details	7/18/2016	
	D	ADDED MISSING PARTS / UPDATE TO AS BUILT	12/14/2016	
	E	ADDED SHEET FOR OPTIONAL BRACKET	8/21/2017	

Technical drawing details:
 - Front view: 30° angle, #4-40 UNC X .3 DP. (2) PLACES ON A 1.09 Ø B.C.
 - Side view: 2.41in [61.2mm] length, Ø 1.28in [32.4mm] diameter, ADJUSTMENT SCREW #2-56.
 - Rear view: Ø .63in [15.9mm] diameter, Ø .37in [9.3mm] LENS APERTURE.
 - SEE NOTE #2.

NOTES: UNLESS OTHERWISE SPECIFIED
 1. FINISH: BLACK ANODIZED HOUSING.
 2. 10 FT CABLE PROVIDED.
 3. OPTIONAL HOLDING BRACKET- AB3-30.

Metaphase Technologies, Inc. 211 Sinclair Road, Suite 100, Bristol, PA. 19007 215-639-8699 Fax 215-639-0977		THIS DOCUMENT IS THE PROPERTY OF METAPHASE TECHNOLOGIES, INC. WHOM MAY LOAN IT. SUBJECT TO RETURN UPON DEMAND. IT INCLUDES CONFIDENTIAL & PROPRIETARY INFORMATION WHICH MAY NOT BE DISCLOSED TO ANY THIRD PARTY, AND OR USED FOR ANY PURPOSE CONTRARY TO ITS INTENDED USE, WITHOUT THE EXPRESSED PRIOR WRITTEN CONSENT OF METAPHASE TECHNOLOGIES, INC.	
QUANTITY: Per order MATERIAL: Per BOM FINISH: Black Anodize TREATMENT: N/A	TOLERANCE/FINISH UNLESS OTHERWISE SPECIFIED INCHES (MM) .X .X .XX .XXX (125/760S) (125/760S) (+.76) (+.25) (+.13) ±.005 ANGLES ±1		TITLE: SPOTLIGHT 0.6" ADJ FOCUS USED ON: Per customer SIZE: B DRAWING NUMBER: MB-AFSL-105-01 REV: E SCALE: 1:4 SHEET 1 OF 2
Approval Signature _____	Date / / _____		

MB-AFSL105



COMPLIANCE



CONTACT US

Contact Metaphase Technologies at **215-639-8699** or your local representative for additional details, options and customizations.