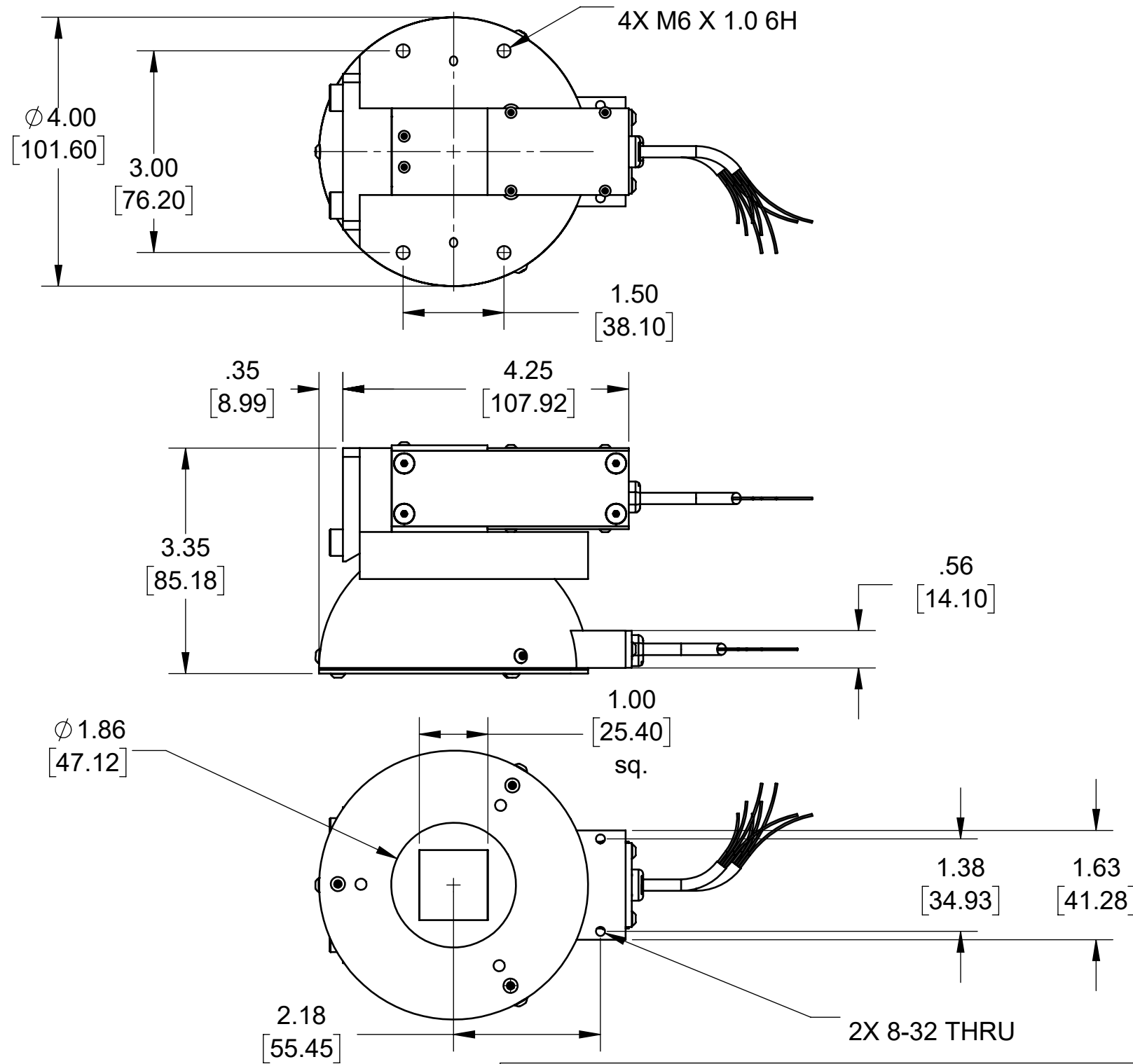
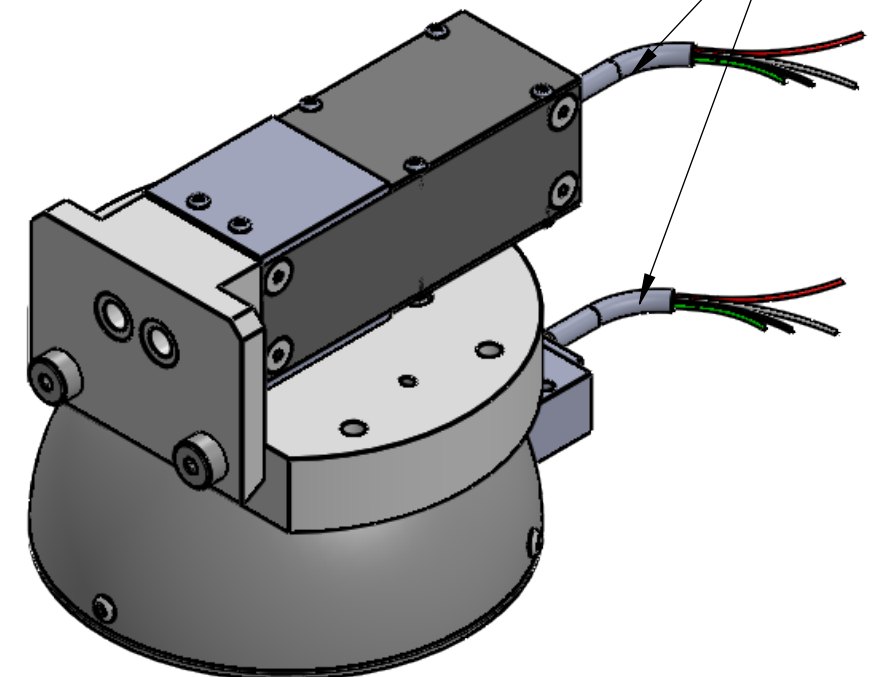


REVISIONS

REV.	DESCRIPTION	DATE	APPROVED
A	INITIAL RELEASE	8/22/2016	



POWER CABLE
18 AWG Stranded
4 conductor w/ flying
leadwire ends; 10' lg.



SEE SHEET 2 FOR EXPLODED VIEW AND BOM.

Metaphase Technologies, Inc. 211 Sinclair Road, Suite 100, Bristol, PA. 19007 215-639-8699 Fax 215-639-0977



QUANTITY: Per order	TOLERANCE/FINISH UNLESS OTHERWISE SPECIFIED INCHES[MM] 125√RMS [RA3.2um] X .X .XX .XXX ±.030 ±.010 ±.005 ANGLES±1° [±.76] [±.25] [±.13]
MATERIAL: Stainless Steel	
FINISH: Black Powder Coat	
TREATMENT: N/A	

THIS DOCUMENT IS THE PROPERTY OF METAPHASE TECHNOLOGIES, INC. WHOM MAY LOAN IT, SUBJECT TO RETURN UPON DEMAND. IT INCLUDES CONFIDENTIAL & PROPRIETARY INFORMATION WHICH MAY NOT BE DISCLOSED TO ANY THIRD PARTY, AND/ OR USED FOR ANY PURPOSE CONTRARY TO IT'S INTENDED USE, WITHOUT THE EXPRESSED PRIOR WRITTEN CONSENT OF METAPHASE TECHNOLOGIES, INC.

TITLE DL206 & DAL101 Dome Combo		
USED ON Per customer		
SIZE B	DRAWING NUMBER MB-C01DL2-1	REV A
SCALE 1:2		SHEET 1 OF 1

Approval Signature _____ / / Date