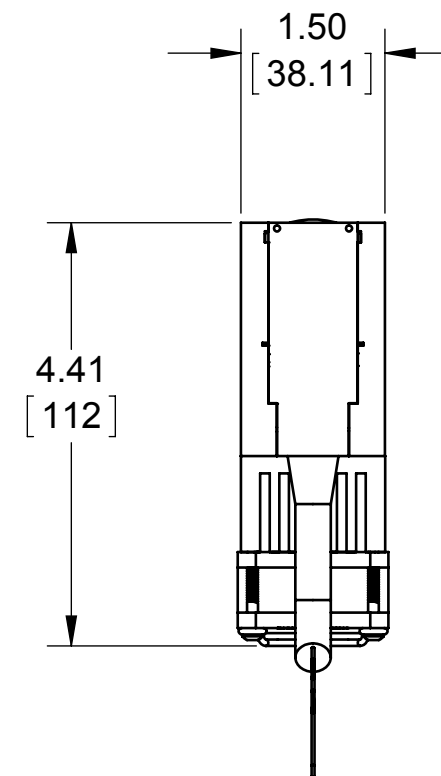
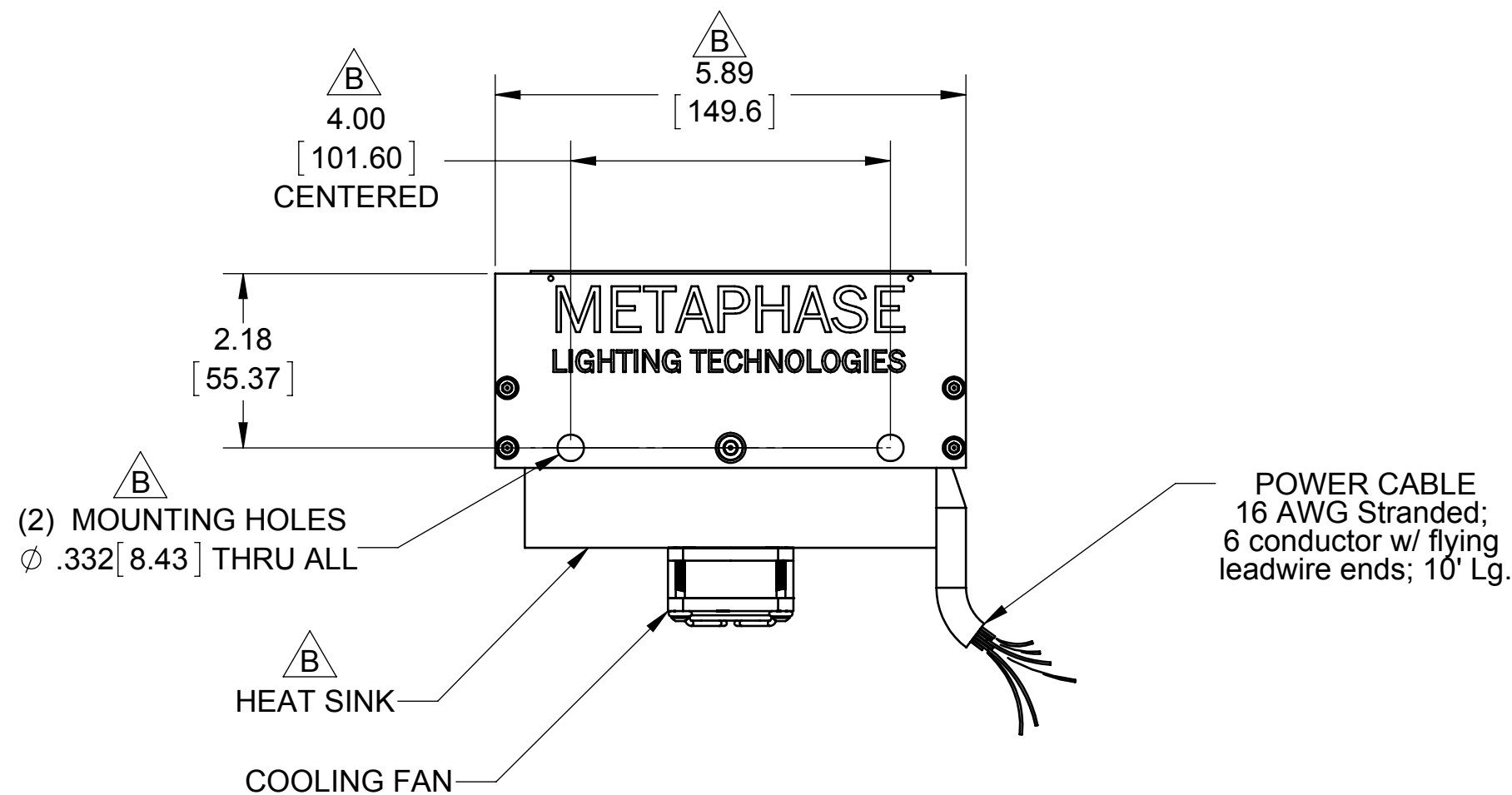
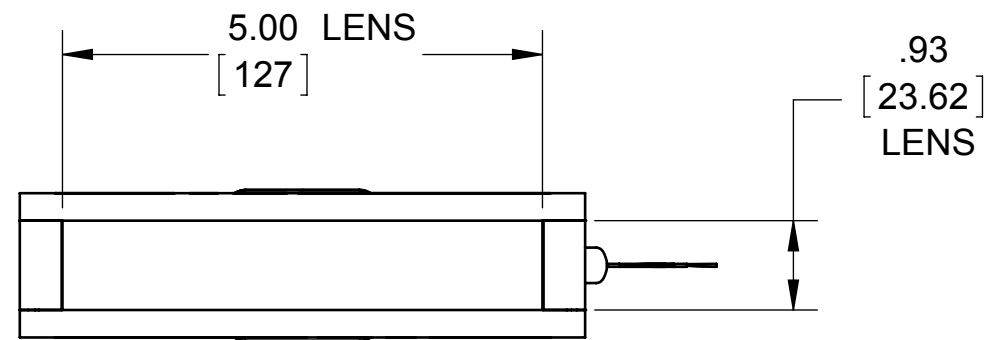


REVISIONS			
REV.	DESCRIPTION	DATE	APPROVED
A	INITIAL RELEASE		
B	LIGHT MODIFIED TO UTILIZE MB-LL206 HEAT SINK. OVERALL LENGTH REDUCED. END CAPS REPLACED. MOUNTING HOLES UPDATED TO STANDARD SIZE AND 4" SPACING.	1/18/2016	



SEE SHEET 2 FOR EXPLODED VIEW AND BOM

Metaphase Technologies, Inc. 211 Sinclair Road, Suite 100, Bristol, PA. 19007 215-639-8699 Fax 215-639-0977



QUANTITY: Per order

MATERIAL: Per BOM

FINISH: Black Anodize

TREATMENT: N/A

TOLERANCE/FINISH UNLESS OTHERWISE SPECIFIED				
INCHES[MM]				125√RMS [RA3.2um]
X	.X	.XX	.XXX	±.005 ANGLES±1°
[±.76]	±.030 [±.25]	±.010 [±.13]		

THIS DOCUMENT IS THE PROPERTY OF METAPHASE TECHNOLOGIES, INC. WHOM MAY LOAN IT, SUBJECT TO RETURN UPON DEMAND. IT INCLUDES CONFIDENTIAL & PROPRIETARY INFORMATION WHICH MAY NOT BE DISCLOSED TO ANY THIRD PARTY, AND/ OR USED FOR ANY PURPOSE CONTRARY TO IT'S INTENDED USE, WITHOUT THE EXPRESSED PRIOR WRITTEN CONSENT OF METAPHASE TECHNOLOGIES, INC.

TITLE
Top Assembly- 5" Col. Line Light

USED ON
Per customer

SIZE B	DRAWING NUMBER MB-CLL206-1	REV B
SCALE 1:2		SHEET 1 OF 2

Approval Signature

/ /
Date