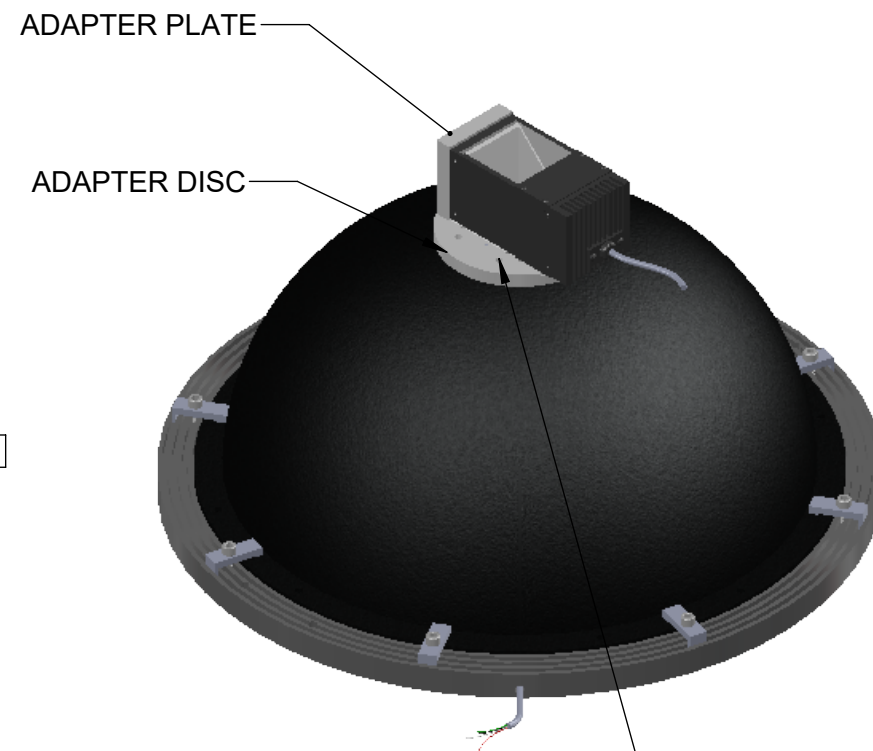
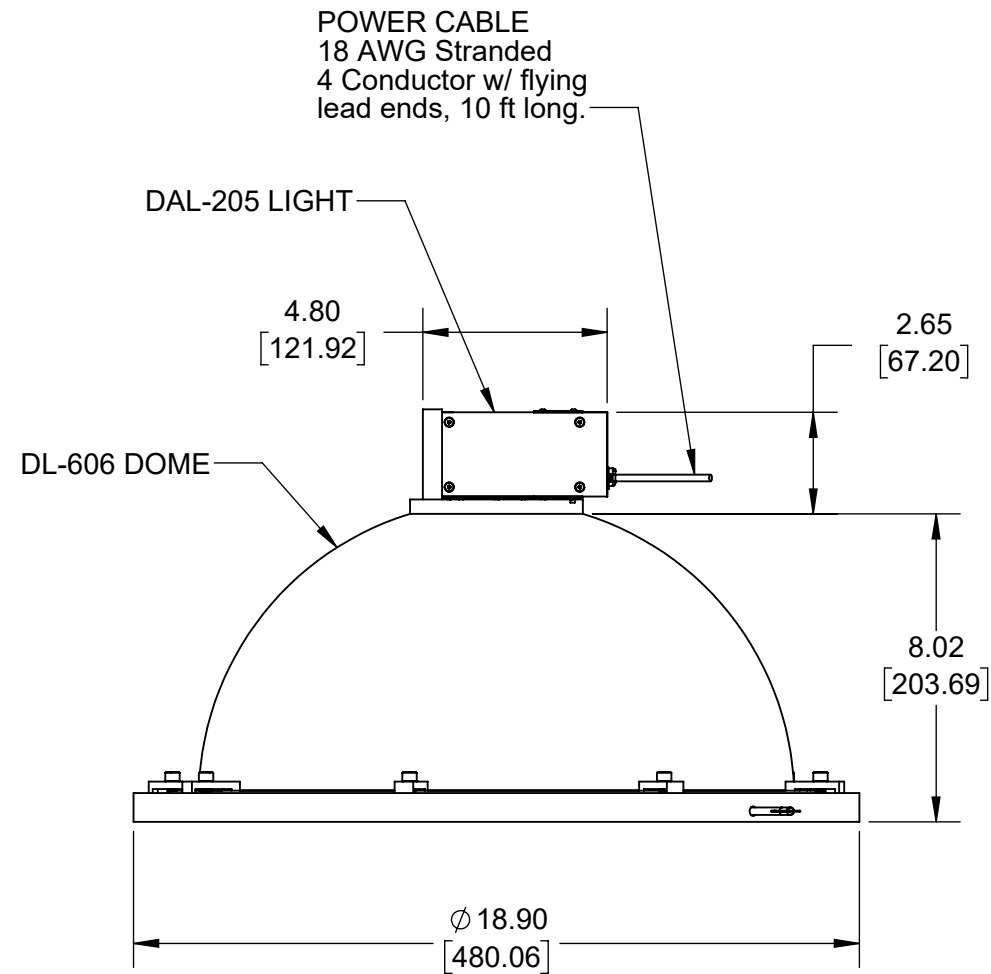
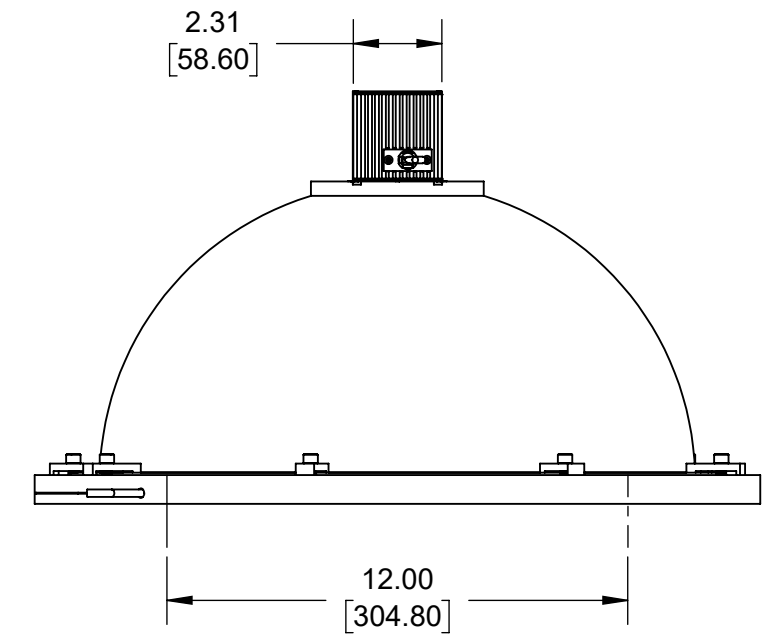


REVISIONS			
REV.	DESCRIPTION	DATE	APPROVED
A	INITIAL RELEASE	6/3/2016	



SEE SHEET 2 FOR TOP VIEW AND MOUNTING HOLE DETAILS



Metaphase Technologies, Inc. 211 Sinclair Road, Suite 100, Bristol, PA. 19007 215-639-8699 Fax 215-639-0977



QUANTITY: Per order

MATERIAL: Per BOM

FINISH:

TREATMENT: N/A

TOLERANCE / FINISH UNLESS OTHERWISE SPECIFIED				
INCHES [MM]				125√RMS [RA3.2um]
X	.X	.XX	.XXX	ANGLES ±1°
[±.76]	±.030 [±.25]	±.010 [±.13]	±.005	

THIS DOCUMENT IS THE PROPERTY OF METAPHASE TECHNOLOGIES, INC. WHOM MAY LOAN IT, SUBJECT TO RETURN UPON DEMAND. IT INCLUDES CONFIDENTIAL & PROPRIETARY INFORMATION WHICH MAY NOT BE DISCLOSED TO ANY THIRD PARTY, AND/ OR USED FOR ANY PURPOSE CONTRARY TO IT'S INTENDED USE, WITHOUT THE EXPRESSED PRIOR WRITTEN CONSENT OF METAPHASE TECHNOLOGIES, INC.

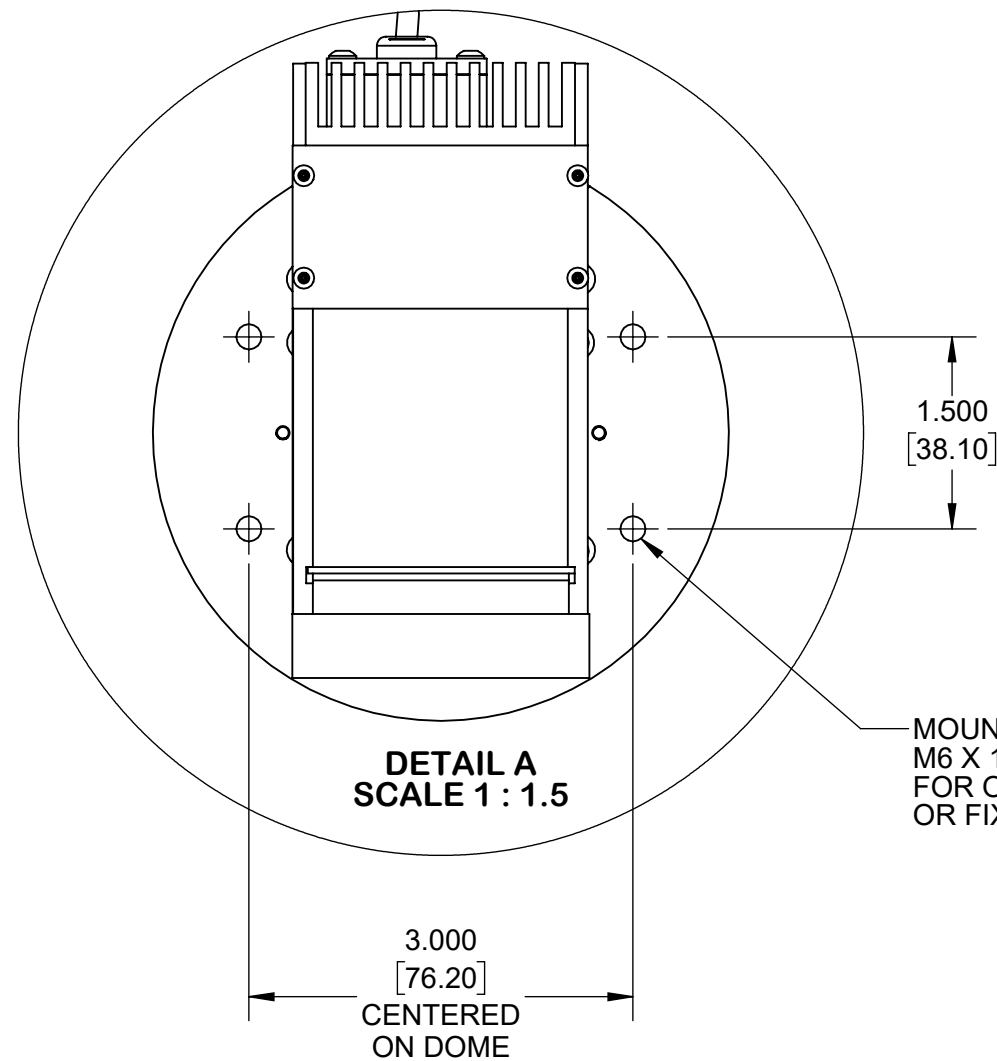
TITLE
MB-DL606 / MBDAL205 COMBO

USED ON
Per customer

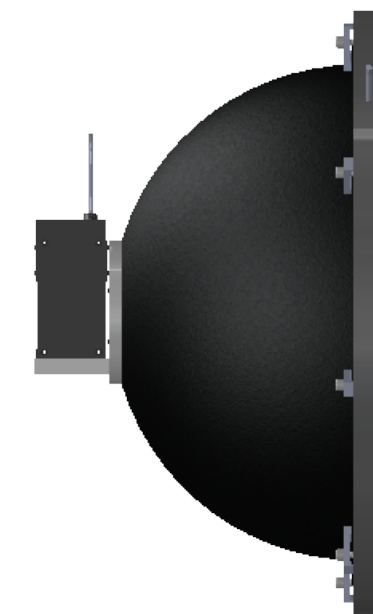
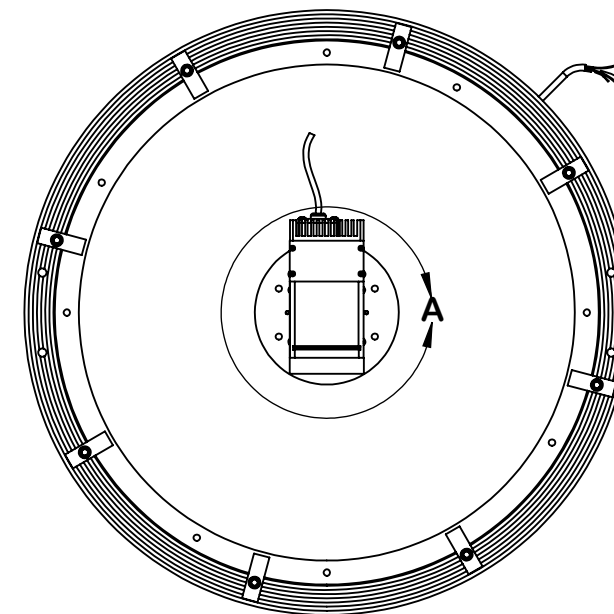
SIZE B	DRAWING NUMBER MB-CODL606-1	REV A
SCALE 1:8		SHEET 1 OF 3

Approval Signature

/ /
Date



MOUNTING HOLES
M6 X 1.0 X .4 [10] DP.
FOR OVERHEAD CAMERA AND
OR FIXTURE MOUNTING



Metaphase Technologies, Inc. 211 Sinclair Road, Suite 100,
Bristol, PA. 19007 215-639-8699 Fax 215-639-0977



TOLERANCE/FINISH UNLESS OTHERWISE SPECIFIED				
X	INCHES[MM]			125√RMS [RA3.2um]
	.X	.XX	.XXX	
[±.76]	±.030 [±.25]	±.010 [±.13]	±.005	ANGLES ±1°

FLAT PATTERN K FACTOR IS 0.5, AND FOR DESIGN
REFERENCE ONLY. ACTUAL VALUE MAY VARY,
USE TEST PART TO VERIFY TOLERANCES

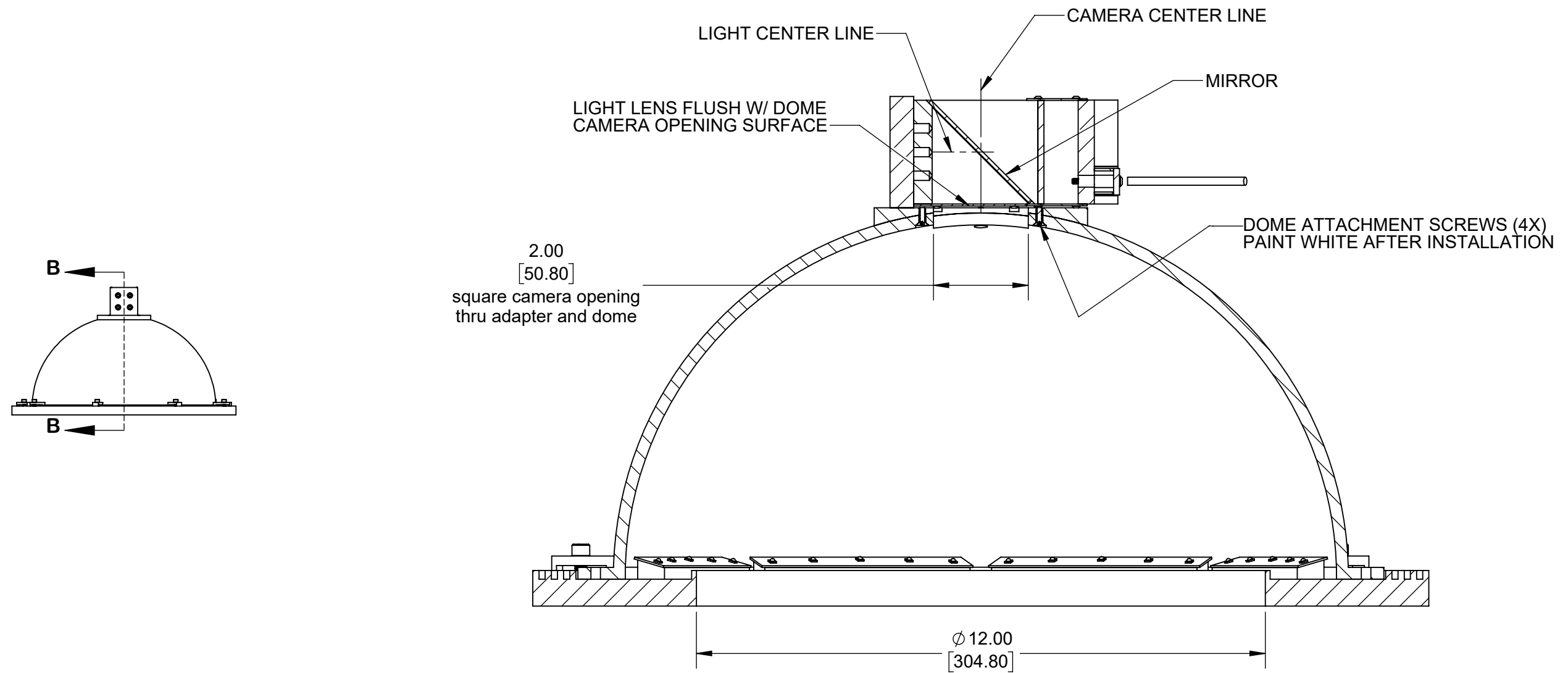
THIS DOCUMENT IS THE PROPERTY OF
METAPHASE TECHNOLOGIES, INC. WHOM MAY
LOAN IT, SUBJECT TO RETURN UPON DEMAND.
IT INCLUDES CONFIDENTIAL & PROPRIETARY
INFORMATION WHICH MAY NOT BE DISCLOSED
TO ANY THIRD PARTY, AND/ OR USED FOR
ANY PURPOSE CONTRARY TO IT'S INTENDED
USE, WITHOUT THE EXPRESSED PRIOR WRITTEN
CONSENT OF **METAPHASE TECHNOLOGIES, INC.**

TITLE
MB-DL606 / MBDAL205 COMBO

USED ON
Per customer

SIZE B	DRAWING NUMBER MB-CODL606-1	REV A
------------------	---------------------------------------	-----------------

SCALE: NONE SHEET 2 OF 3



Metaphase Technologies, Inc. 211 Sinclair Road, Suite 100,
Bristol, PA. 19007 215-639-8699 Fax 215-639-0977



TOLERANCE/FINISH
UNLESS OTHERWISE SPECIFIED

X	INCHES[MM]			125√RMS [RA3.2um]
	.X	.XX	.XXX	
[±.76]	±.030 [±.25]	±.010 [±.13]	±.005	ANGLES ±1°

FLAT PATTERNS USE 0.5 K FACTOR FOR DESIGN
REFERENCE ONLY. ACTUAL VALUE MAY VARY,
USE TEST PART AS REQ'D TO VERIFY ACCURACY

THIS DOCUMENT IS THE PROPERTY OF
METAPHASE TECHNOLOGIES, INC. WHOM MAY
LOAN IT, SUBJECT TO RETURN UPON DEMAND.
IT INCLUDES CONFIDENTIAL & PROPRIETARY
INFORMATION WHICH MAY NOT BE DISCLOSED
TO ANY THIRD PARTY, AND/ OR USED FOR
ANY PURPOSE CONTRARY TO IT'S INTENDED
USE, WITHOUT THE EXPRESSED PRIOR WRITTEN
CONSENT OF **METAPHASE TECHNOLOGIES, INC.**

TITLE
MB-DL606 / MBDAL205 COMBO

USED ON
Per customer

SIZE B	DRAWING NUMBER MB-CODL606-1	REV A
SCALE 1:10	SHEET 3 OF 3	